



# Major Components Manual

## Essential Parts For

- H50/55
- OPEN BURNER
- DECATHLON
- 24G
- DEAN MILLIVOLT
- ELECTRIC/RE
- 2836
- 1721/18UE
- PUMPS
- GSMS
- 8SMS
- UHC-P
- UHC
- SINBAD
- HLZ

24-Hour Service Hotline **1-800-551-8633**  
or [service@frymaster.com](mailto:service@frymaster.com)



Frymaster, a member of the Commercial Food Equipment Service Association, recommends using CFESA-certified technicians.

SEPT 07

\* 8196321 \*

[www.frymaster.com](http://www.frymaster.com)

**NOTICE**

IF, DURING THE WARRANTY PERIOD, THE CUSTOMER USES A PART FOR THIS ENODIS EQUIPMENT OTHER THAN AN UNMODIFIED NEW OR RECYCLED PART PURCHASED DIRECTLY FROM FRYMASTER DEAN, OR ANY OF ITS AUTHORIZED SERVICE CENTERS, AND/OR THE PART BEING USED IS MODIFIED FROM ITS ORIGINAL CONFIGURATION, THIS WARRANTY WILL BE VOID. FURTHER, FRYMASTER DEAN AND ITS AFFILIATES WILL NOT BE LIABLE FOR ANY CLAIMS, DAMAGES OR EXPENSES INCURRED BY THE CUSTOMER WHICH ARISE DIRECTLY OR INDIRECTLY, IN WHOLE OR IN PART, DUE TO THE INSTALLATION OF ANY MODIFIED PART AND/OR PART RECEIVED FROM AN UNAUTHORIZED SERVICE CENTER.

**⚠ DANGER**

Copper wire suitable for at least 167°F (75°C) must be used for power connections.

**⚠ DANGER**

The electrical power supply for this appliance must be the same as indicated on the rating and serial number plate located on the inside of the fryer door.

**⚠ DANGER**

This appliance must be connected to the voltage and phase as specified on the rating and serial number plate located on the inside of the fryer door.

**⚠ DANGER**

All wiring connections for this appliance must be made in accordance with the wiring diagrams furnished with the equipment. Wiring diagrams are located on the inside of the fryer door.

**⚠ DANGER**

Do not store or use gasoline or other flammable vapors and liquids in the vicinity of this or any other appliance.

**⚠ WARNING**

Do not attach accessories to this fryer unless fryer is secured from tipping. Personal injury may result.

**⚠ WARNING**

Frymaster fryers equipped with legs are for permanent installations. Fryers fitted with legs must be lifted during movement to avoid damage and possible bodily injury. For a moveable or portable installation, Frymaster optional equipment casters must be used. Questions? Call 1-800-551-8633

**⚠ WARNING**

Do not use water jets to clean this equipment.

**⚠ DANGER**

All wiring connections for this appliance must be made in accordance with the wiring diagrams furnished with the equipment. Wiring diagrams are located on the inside of the fryer door.

**⚠ WARNING**

This equipment is intended for indoor use only. Do not install or operate this equipment in outdoor areas.

# Overview

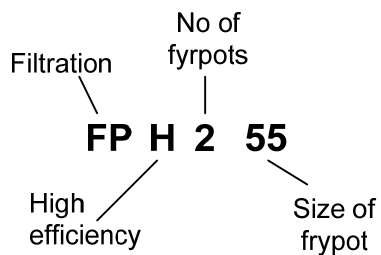
The model number of a Dean or Frymaster fryer reveals a lot: number and size of vats, presence of filtration. The complete model number, although not always provided, reveals the type of controller, the presence of splits, and the finish of the cabinet.

This parts manual provides the essential components for a host of fryers. Some have similar model numbers, such as the D50 and the H50, while the fryer designs are quite different. For example, an FPPH350 is a footprint-filter equipped H50 fryer with three frypots. A FPD450 is a filter-equipped Dean Decathlon fryer with four frypots.

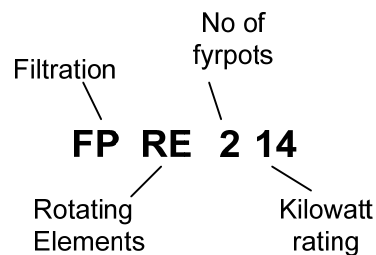
Consult this matrix to determine type of fryer in question.

| Model #                        | Style Fryer                | Manufacturer | Fuel | Restaurant Use   | Millivolt |
|--------------------------------|----------------------------|--------------|------|--|-----------|
| D50, D60, D65<br>Exp: SCFD460. | Tube fryer                 | Dean         | Gas  | Church's,<br>Popeye's, Chili's                             | No        |
| H50 or H55.<br>Exp: FPPH350    | Open pot,<br>sealed burner | Frymaster    | Gas  | McDonald's,<br>Burger King                                 | No        |
| 35, 45, CF<br>Exp: FP345       | Open burner                | Frymaster    | Gas  | Burger King,<br>independents,<br>bone-in chicken<br>stores | Can be    |
| 24G<br>Exp: 2424G              | Flatbottom                 | Dean         | Gas  | LJS, Captain<br>Dee's,<br>independent fish<br>stores       | No        |
| SR<br>Exp: SR 42               | Tube fryer                 | Dean         | Gas  | Mom and Pop  | Yes       |
| Pro Electric                   | Electric                   | Frymaster    | Elec | McDonald's,<br>Burger King                                 | N/A       |
| RE                             | Electric                   | Frymaster    | Elec | McDonald's   | N/A       |
| 2836                           | Electric                   | Frymaster    | Elec | Walmart  | N/A       |

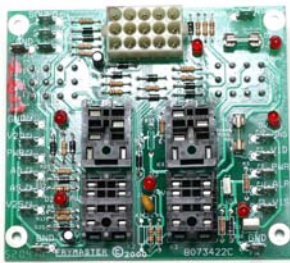
## Example of Gas Model number



## Example of Electric Model number



# Frymaster and Dean Major Components



## TABLE OF CONTENTS

| Chapter                            | Content                       | Page |
|------------------------------------|-------------------------------|------|
| <b>GAS FRYERS</b>                  |                               |      |
| 1                                  | H50/52/55                     | 1-1  |
| 2                                  | Open Burner                   | 2-1  |
| 3                                  | Decathlon Series              | 3-1  |
| 4                                  | 24G Flatbottom                | 4-1  |
| 5                                  | Dean Millivolt Fryers         | 5-1  |
| <b>ELECTRIC FRYERS</b>             |                               |      |
| 6                                  | Pro Series/RE Electric Fryers | 6-1  |
| 7                                  | 2836 Series                   | 7-1  |
| 8                                  | 1721/18UE                     | 8-1  |
| 9                                  | Filter Motors and Pumps       | 9-1  |
| <b>WATER BATH UNITS</b>            |                               |      |
| 10                                 | GSMS                          | 10-1 |
| 11                                 | 8SMS Series                   | 11-1 |
| <b>CABINETS/WARMERS/DISPENSERS</b> |                               |      |
| 12                                 | UHC-P                         | 12-1 |
| 13                                 | UHC                           | 13-1 |
| 14                                 | Sinbad                        | 14-1 |
| 15                                 | HLZ                           | 15-1 |
| <b>REPAIR ACCESSORIES</b>          |                               |      |
| 16                                 | Tools                         | 16-1 |



# H50/55



The H50/55 series fryer is Frymaster's flagship gas fryer.

**Unique physical characteristic:**

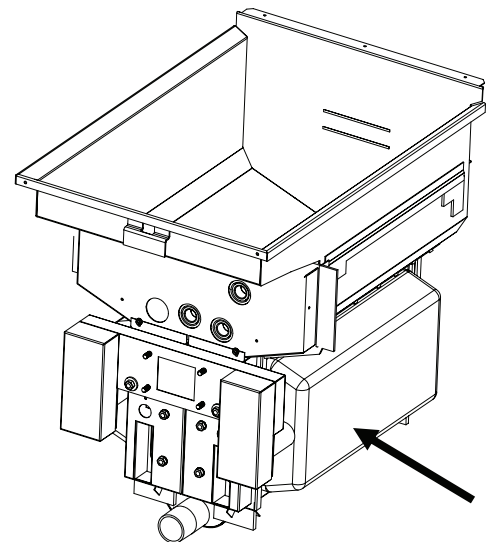
- Closed burner with blowers to enhance efficiency of combustion.

**Where Used:**

- McDonald's, Burger King, and other large fast-food restaurants.

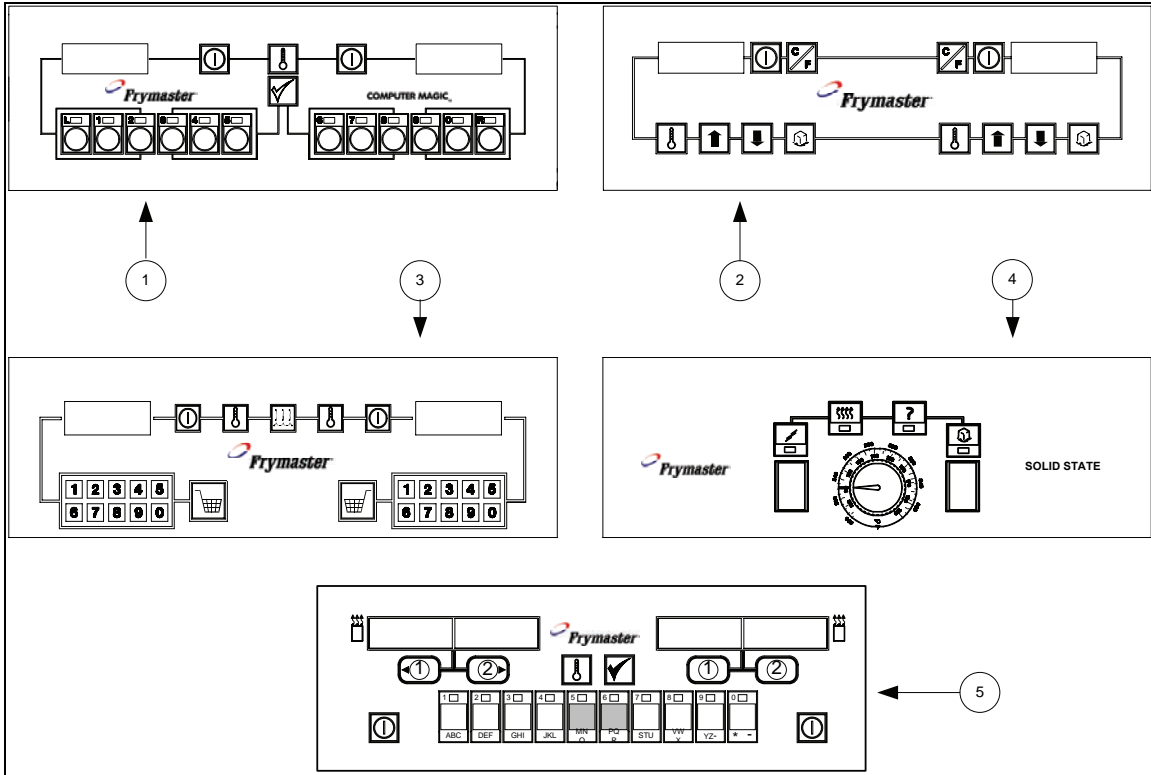
**Common Model Numbers**

- FPPH355



Burners are attached to either side of the frypot. See arrow.

# H50/55



## Controllers

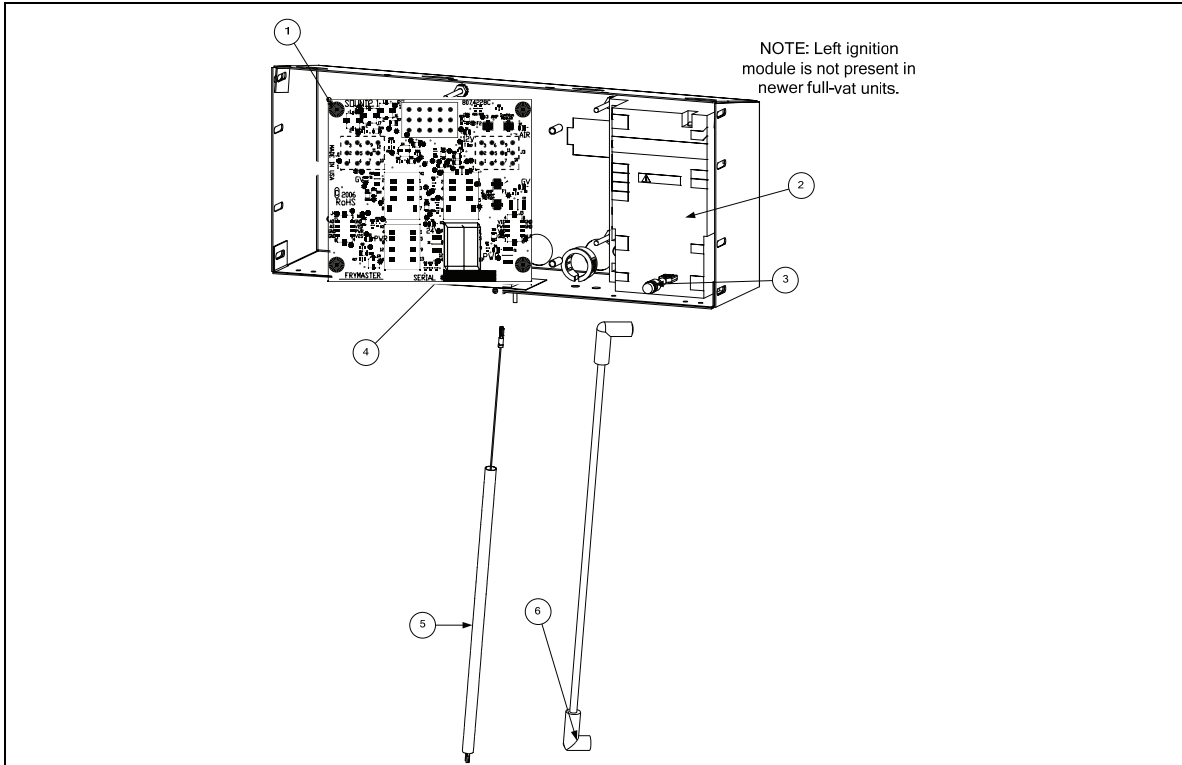
| Item | **Standard Part # | **Euro-look Part # | Component  |
|------|-------------------|--------------------|--|
| 1    |                   |                    | <b>Computer Magic III.5</b>  |
|      | 826-2287          | 826-2380           | Dual-vat   |
|      | 826-2286          | 826-2324           | Full-vat   |
| 2    |                   |                    | <b>Digital Controller</b>  |
|      | 106-2074SP        | 106-3580           | Dual-vat   |
|      | 106-2073SP        | 106-3504           | Full-vat   |
| 3    |                   |                    | <b>Basket Lift Timer</b>   |
|      | 826-2365          | 106-3492           | Dual-vat   |
|      | 826-2364          | 106-3503           | Full-vat   |
| 4    |                   |                    | <b>Solid State (Analog) Controller (controller knob is 810-0387)</b> |
|      | 806-3008          | 106-3375           | Dual-vat (use 106-3398 for Foodmaker units)                          |
|      | 106-6023          | 106-6022           | Full-vat (use 106-6027 for Foodmaker units)                          |
| *    | 806-2071          | 806-2071           | 15-pin Wiring Harness, Computer-to-Interface Board                   |
| *    | 807-4199          | 807-4199           | SMT Wiring Harness, Computer-to-Interface Board                      |
| *    | 826-2278          | 826-2278           | Remote Computer, Burger King   |
| *    | 807-4397          | 807-4397           | Remote Computer Adapter  |
|      |                   |                    | <b>McDonald's Computer</b>   |
| 5    | 826-2346          | 826-2343           | M2000 Full Vat Domestic  |
| *    |                   | 826-1739           | M100 to M2000 Conversion Kit   |

\* Not illustrated.

\*\* Pro H50/55-Series cabinets were manufactured with standard cabinets with the 90°-edge topcap and the Euro-Look cabinets with the rounded topcap.

# H50/55

## Gas Control Box Components



| Item | Part #    | Component   |
|------|-----------|---|
| 1    | 826-2264  | Interface Board   |
| 2    | 807-3366† | Ignition Module, Dual-spark Full-vat                            |
| *    | 807-3365† | Ignition Module, Single-spark Dual-vat                          |
| *    | 807-1006  | Ignition Module for Pre-August 2000 units                       |
| 3    | 807-3484  | Connector, Rajah  |
| 4    | 807-0833  | Relay, DPDT 5A 12VDC Latch                                      |
| *    | 807-0834  | Relay, SPDT 15A 12VDC Basket Lift (See Note 2 below)            |
| 5    | 826-2024  | Cable, 21-inch Ignition ( <i>comes with Rajah connector</i> )   |
| 6    | 806-6085  | Flame Sensor wire assembly                                      |
| *    | 826-1721  | Ignition Cable ( <i>2 ignition cables, 2 rajah connectors</i> ) |
| *    | 807-1200  | Ignition Wires, 27-inch ( <i>used with 807-1006</i> )           |
| *    | 807-1878  | Ignition Wires, 19-inch ( <i>used with 807-1006</i> )           |
| *    | 806-3660  | Sound Device, High Output                                       |
| *    | 826-2458  | Speaker, McDonald's   |

\* Not illustrated.

† For dual-vat units, use 807-3365 Single-Spark Ignition Module (see **NOTE 1**).

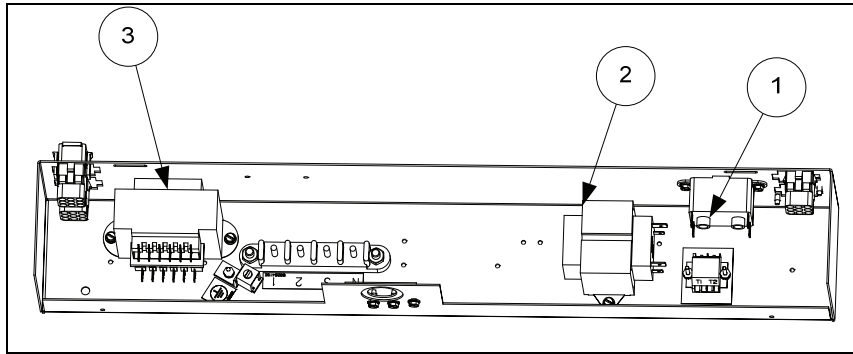
**NOTE 1:** Dual-vat units use two 807-3365 Single-Spark Ignition Modules. Full-vat units use one 807-3366 Dual-spark ignition module. Also, in full-vat units, only one latch relay is used, located in the lower right socket.

**NOTE 2:** Basket lift relays are present only on units equipped with basket lifts.



# H50/55

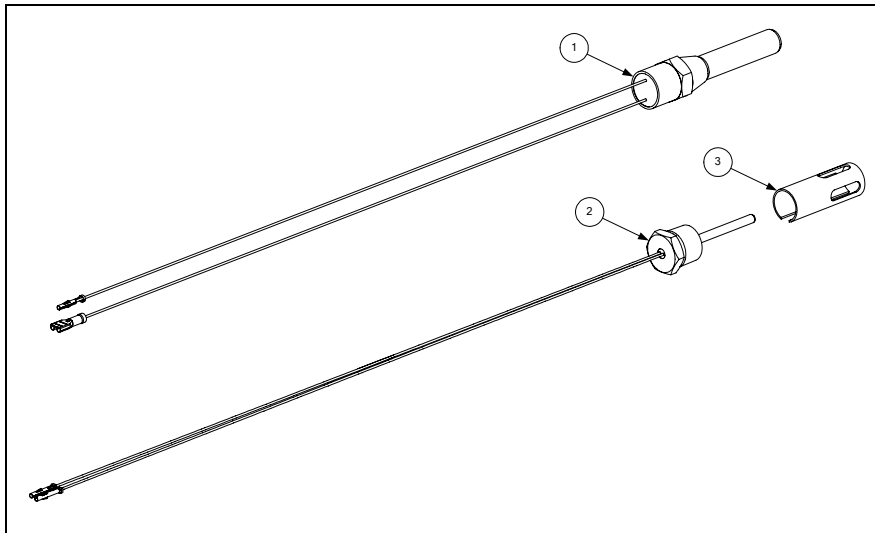
## Transformer/Relays



| Item | Part #   | Component  |
|------|----------|--|
| 1    | 807-0012 | 4-Terminal Relay, Filter Only  |
| *    | 807-2434 | 5-Terminal Relay, Filter Only  |
| 2    | 807-0800 | Transformer, 100-120V/24VAC 50/60Hz 50VA                                     |
| 3    | 807-2176 | Transformer, 100-120V V/F Dual Voltage                                       |
| *    | 807-0855 | Transformer, 120V/12V  |
| *    | 807-1683 | Relay, 12V (Hood Relay, McDonald's only. Can be located in transformer box.) |
| *    | 807-0012 | Pump Relay, 24V Coil, 18A  |
| *    | 807-2434 | Pump/Heater Relay, 24V Coil, 18A   |
| *    | 807-0154 | 115V Power Cord  |

\* Not illustrated.

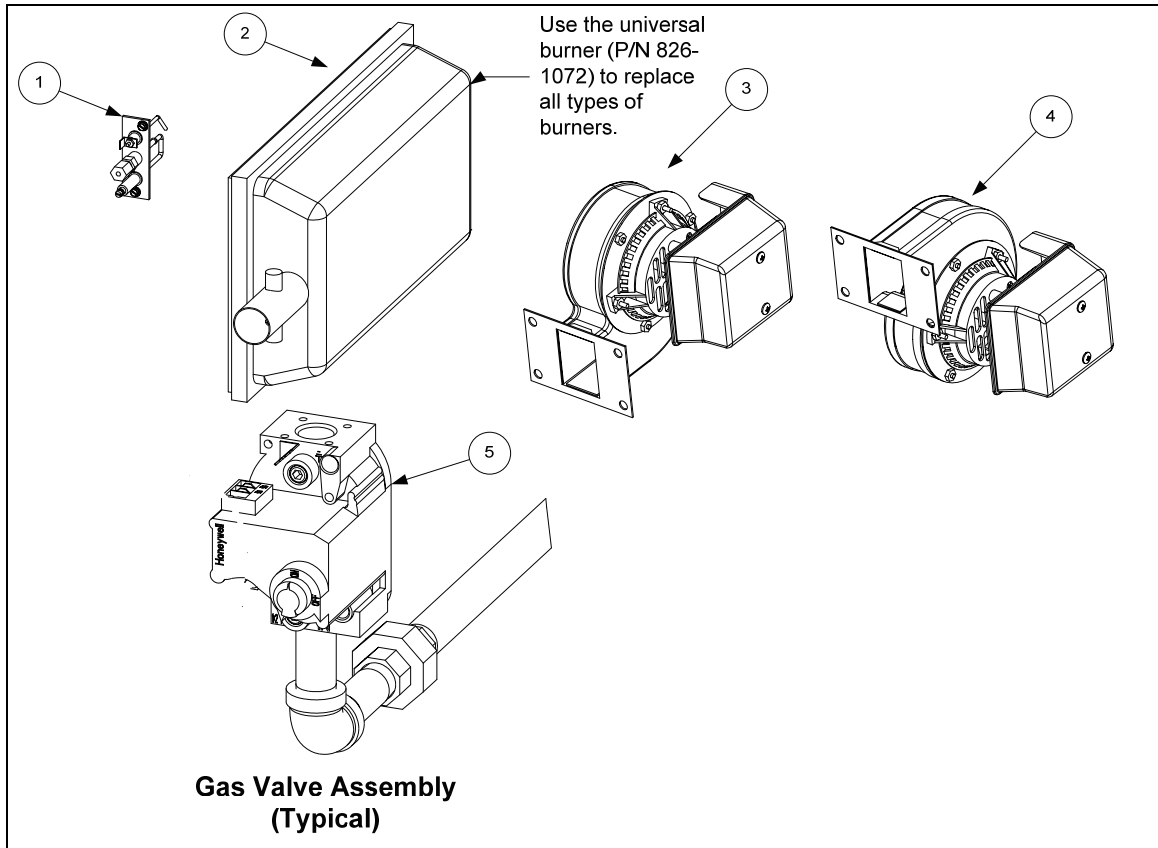
## High-Limit Thermostat and Temperature Probe



| Item | Part #   | Component                           |
|------|----------|-------------------------------------|
| 1    | 826-1177 | High Limit Thermostat - 425°F/218°C |
| 2    | 806-4206 | Temperature Probe                   |
| 3    | 210-0681 | Probe Guard                         |

# H50/55

## Gas Supply and Combustion System Components

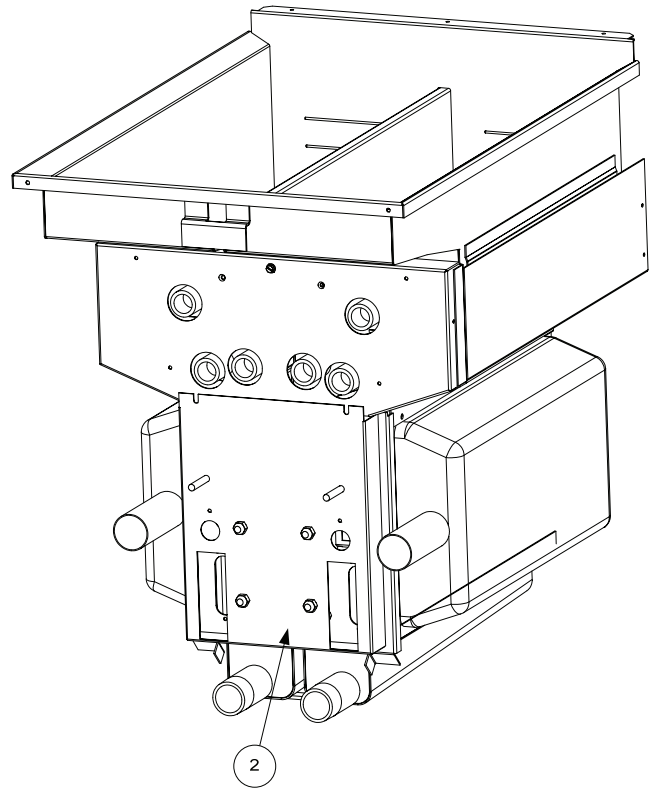
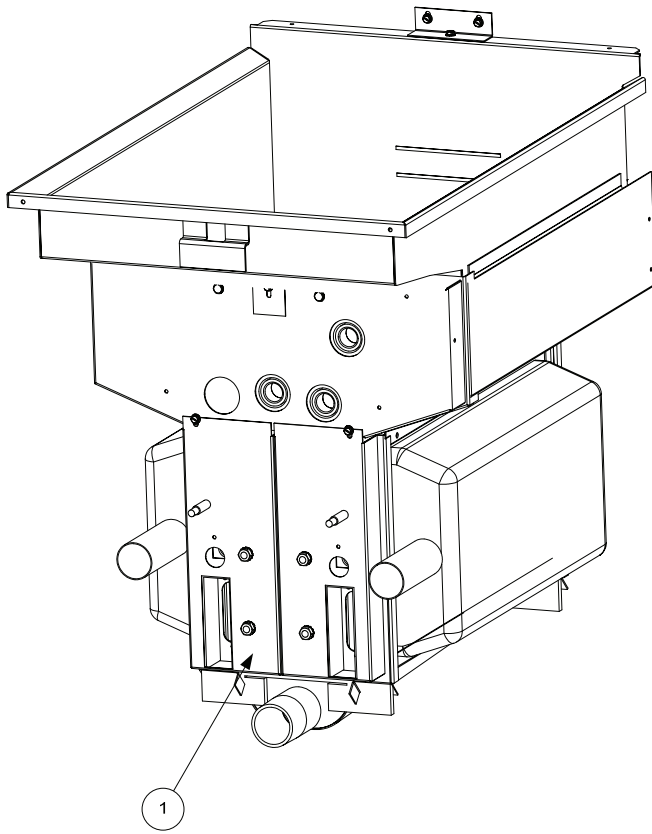


| Item | Part #     | Component  |
|------|------------|--|
| 1    |            | Igniter ( <i>includes gasket 816-0059, which may be ordered separately</i> ) |
|      | 826-0981   | Natural Gas  |
|      | 826-0982   | Propane  |
| 2    | 826-1072   | Universal Burner   |
|      |            | Blower Assembly, Combustion Air ( <i>includes harness</i> )                  |
| 3    | 106-2997SP | 115V 50/60 Hz. (Right)   |
| 4    | 106-2994SP | 115V 50/60 Hz (Left)   |
| 5    |            | Gas Valve  |
|      | 826-1122   | Natural Gas  |
|      | 826-1123   | Propane  |
| *    |            | <b>Conversion Kits</b>   |
|      | 826-1145   | Natural Gas to Propane/Butane, Full-vat                                      |
|      | 826-1146   | Propane/Butane to Natural Gas, Full-vat                                      |
|      | 826-1147   | Natural Gas to Propane/Butane, Dual-vat                                      |
|      | 826-1148   | Propane/Butane to Natural Gas, Dual-vat                                      |
| *    |            | <b>Insulation Kits</b>   |
|      | 826-0931   | Burner Insulation Kit, Full Vat  |
|      | 826-0932   | Burner Insulation Kit, Split Vat   |

\* Not illustrated.

# H50/55

## Frypots



| Item | Part #     | Component                                  |
|------|------------|--|
| 1    |            | <b>Frypot, Full Vat, Complete Assembly</b> |
| *    | 106-1049SP | Frypot, Complete Assembly, Natural Gas     |
| *    | 106-1050SP | Frypot, Complete Assembly, Propane         |
| 2    |            | <b>Frypot, Dual Vat, Complete Assembly</b> |
| *    | 106-1079SP | Frypot, Complete Assembly, Natural Gas     |
| *    | 106-1080SP | Frypot, Complete Assembly, Propane         |

\* Not illustrated.

# Open Burner



The open burner, or Master Jet, family of fryers includes the 35, 45, CF, and J1C series at the upper end and the GF14 and GF40 at the lower end.

## Unique physical characteristic:

- A U-shaped burner manifold surrounds the frypot, supplying flame to metal deflectors, or targets, which direct the heat to the frypot.



An open burner surrounds the frypot of the MJ series of fryers. Orifices secure the deflectors.

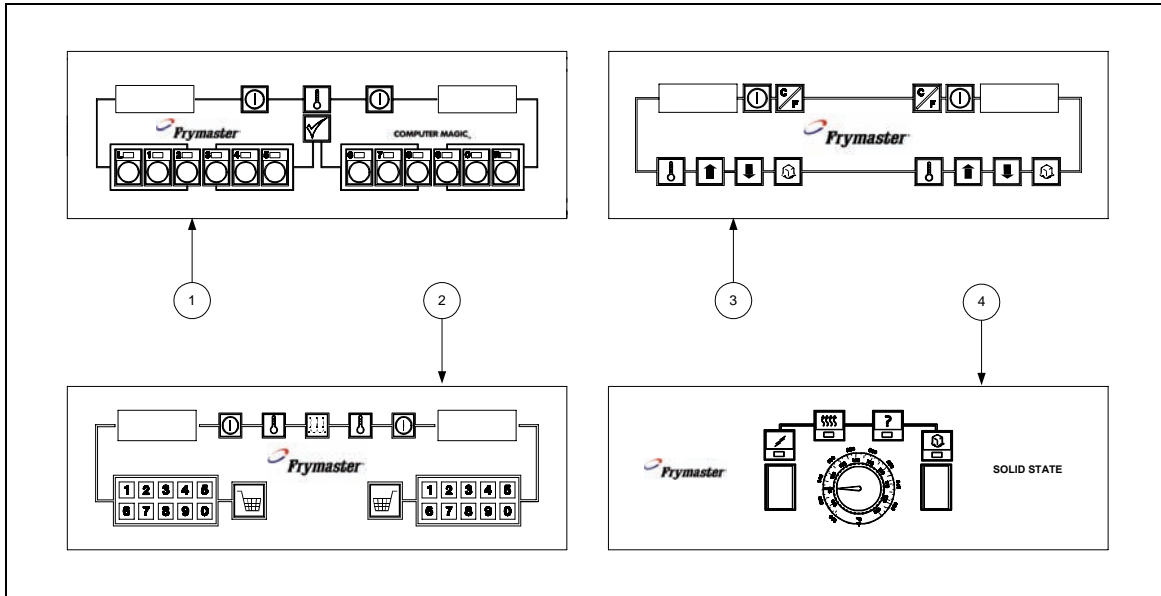
## Where used:

- Burger King uses 45's. The other models will be found in smaller restaurants.

**Common Model Numbers:** FPP235, FMP245, PMJ145, MJ1CF, KJ3FC, J1C,

# Open Burner

## GF40Controller Assemblies (Other than Thermostat Controllers)



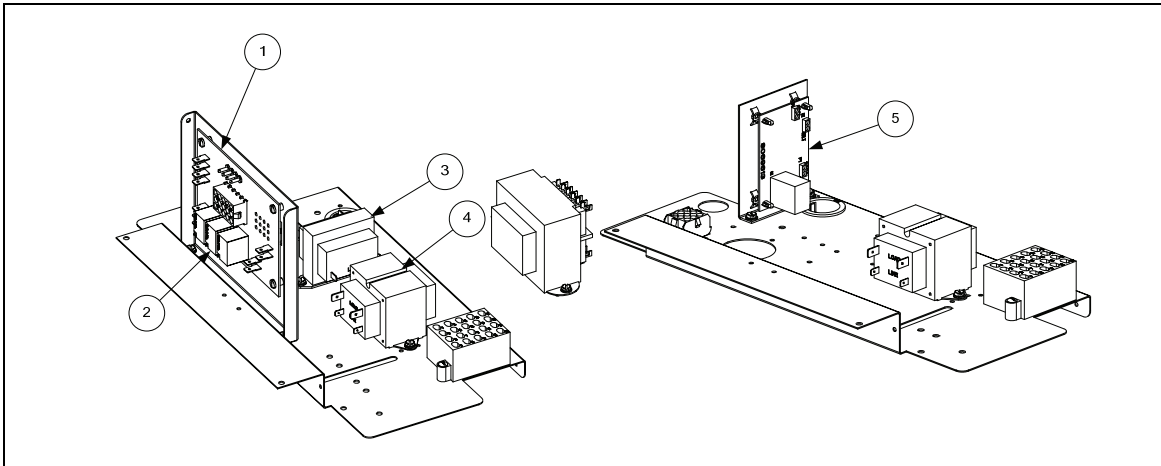
| Item | Part #     | Component  |
|------|------------|--|
| 1    |            | <b>Computer Magic III, MJ45, FM45 Series</b>                   |
|      | 826-2285   | Built-In 45  |
|      | 106-7248   | Remote On-Hood   |
|      | 826-2280   | Remote In-Hood   |
|      | 826-2294   | Built-in CF (Standard) CMIII.5                                 |
|      | 826-2392   | CF (Euro look)   |
|      | 826-2327   | FPP 35/45 FV CMIII.5 (except Buffalo Wild Wings**)             |
|      | 826-2390   | FPP 34/45 DV CMIII.5 (except Buffalo Wild Wings**)             |
| 2    |            | <b>Basket Lift Timers</b>                                      |
|      | 106-2079SP | Controller, Basket Lift Timer, MJ45                            |
|      | 106-3373   | CF (Euro look) BL Controller                                   |
|      | 106-4170   | FPP 34/45 FV Basket lift Controller                            |
|      | 106-4171   | FPP 34/45 DV Basket Lift Controller                            |
| 3    |            | <b>Digital Controllers</b>                                     |
|      | 826-2302   | Controller, Digital  |
|      | 106-4174   | FPP 34/45 FV Digital Controller                                |
|      | 106-4175   | FPP 34/45 DV Digital Controller                                |
| 4    |            | <b>Solid State Controllers</b>                                 |
|      | 806-3559   | Controller, Solid State ( <i>controller knob is 810-0387</i> ) |
|      | 106-6022   | FPP 34/45 FV Analog Controller                                 |
|      | 106-3375   | FPP 34/45 DV Analog Controller                                 |
|      | ---        | Buffalo Wild Wings **  |

\* Not illustrated.

\*\* Call 1-800-551-8633.

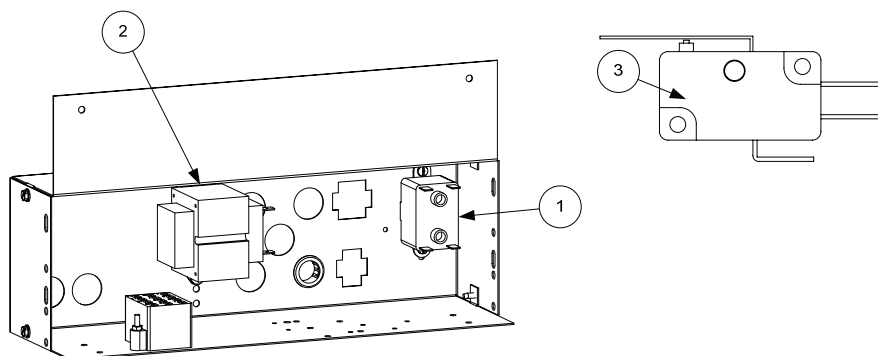
# Open Burner

## Component Parts



| Item | Part #   | Component   |
|------|----------|---|
| 1    |          | <b>Interface Boards</b>                                 |
|      | 806-3548 | Universal Replacement: MJ, FM, 45, CF                   |
|      | 826-2425 | Interface Board, FPP/FMP 35/45 with Standing Pilot      |
|      | 806-5857 | Interface Board, FPP/FMP 35/45 with electronic ignition |
| 2    |          | <b>Relays</b>   |
|      | 807-0833 | Heat relay  |
|      | 807-0834 | Basket Lift Relay                                       |
|      | 807-0670 | 24V Relay, Lockout Electronic Ignition units            |
|      |          | <b>Transformers</b>                                     |
| 3    | 807-0855 | 100-120V 50/60 Hz Primary, 12V Secondary                |
| 4    | 807-0800 | 100-120V 50/60 Hz Primary 24V Secondary                 |
| 5    | 826-1546 | Kit, Melt Cycle Timer, replaces electromechanical timer |
| *    | 826-2117 | Ignition Module, Electronic Ignition units              |

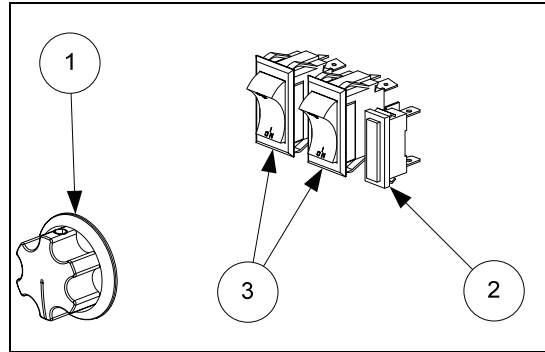
\* Not illustrated.



| Item | Part #   | Component   |
|------|----------|---|
| 1    | 807-0012 | Relay, 18 Amp, SPST, Filter                               |
| 2    | 807-0800 | Transformer, 100-120V Primary/24V Secondary 50/60 Hz 50VA |
| 3    | 807-2103 | Micro Switch  |

# Open Burner

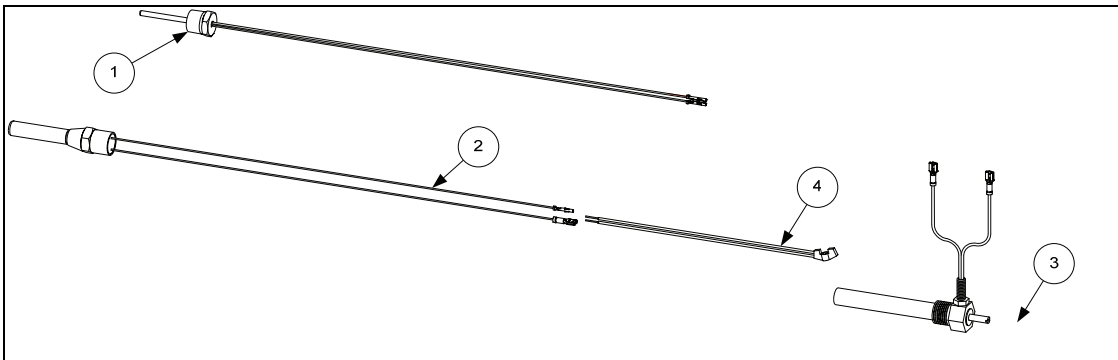
## Controller Assemblies (Thermostat Controllers)



| Item | Part #   | Component                                  |
|------|----------|--|
| 1    | 810-0334 | Knob, Operating Thermostat                 |
| *    | 810-0110 | Knob, MJ35 Operating Thermostat            |
| 2    | 807-1525 | Light, White Melt Cycle Indicator, 24V     |
| 3    | 807-3498 | Switch, 24V, Used for ON/OFF or Melt Cycle |

\* Not illustrated.

## Temperature Probe, Thermostats, and Related Components



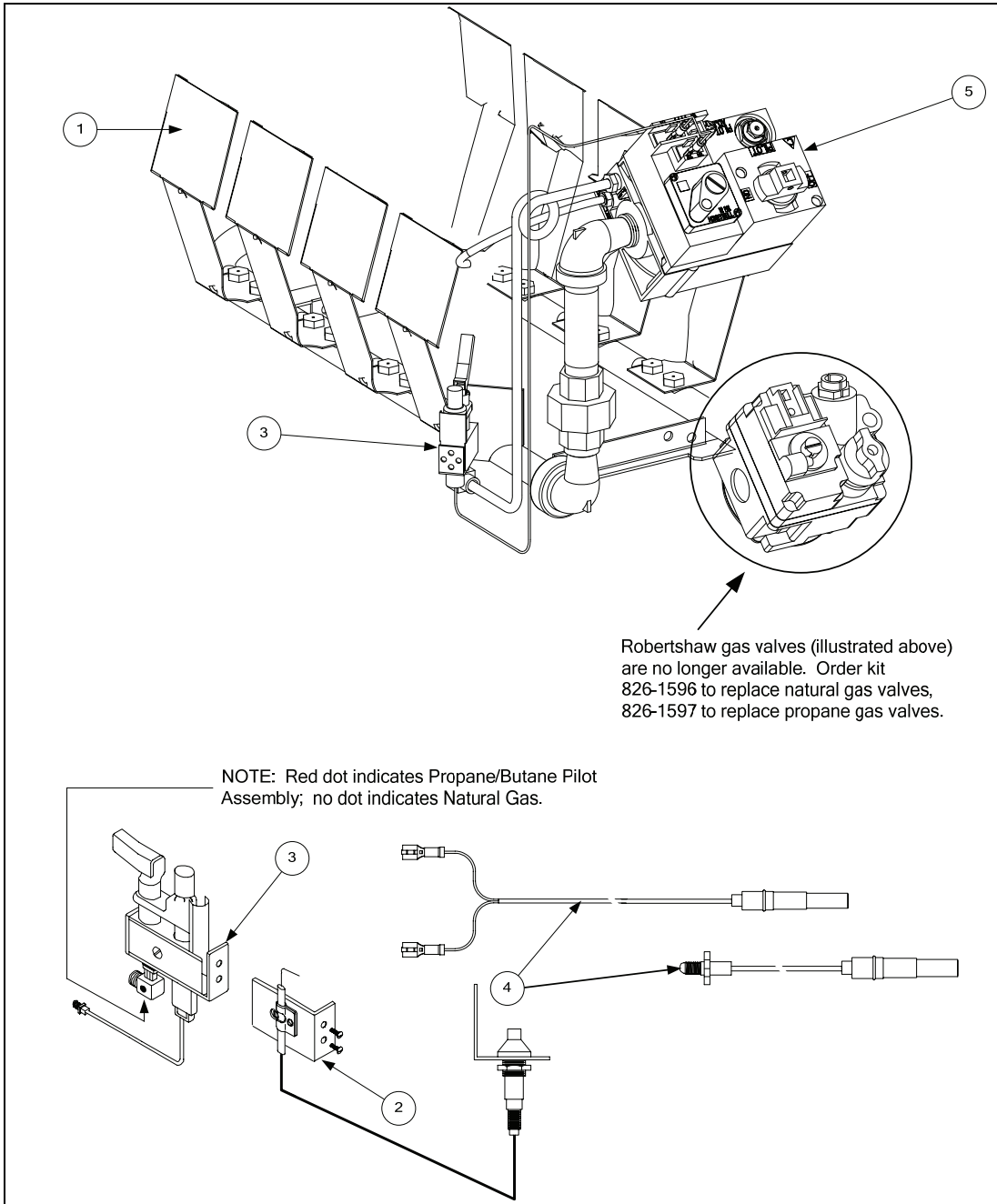
| Item | Part #   | Component   |
|------|----------|---|
| 1    | 806-4206 | Temperature Probe, Minco  |
| 2    | 826-1177 | Thermostat, 425°F High-Limit (see <b>NOTE</b> )                                     |
| 3    | 806-0183 | Thermostat Assembly, Operating, MJ45/MJCF/MJ47                                      |
| 4    | 807-0280 | Hi-limit Adapter  |
| *    | 806-0184 | Thermostat Assembly, MJ, FM, J1C with Robertshaw Gas Valve                          |
| *    | 806-5816 | Thermostat Assembly, MJ, FM, FPP, FMP, J1C, GF14 Sysco, 35 with Honeywell Gas Valve |
| *    | 807-1692 | Thermostat, GF14, GF40  |

\* Not illustrated.

**NOTE:** Kit 826-1177 (Item 2) contains high-limit thermostat 806-7545 and an assortment of connectors to allow it to be configured for use on several different Robertshaw valves.

# Open Burner

## Burner Assembly Component Parts



| Item | Part #   | Component             |
|------|----------|-----------------------|
| 1    |          | <b>Deflectors</b>     |
|      | 230-1177 | 45 Deflector, Side    |
|      | 230-1206 | 45 Deflector, Rear    |
|      | 230-1178 | 35/CF Deflector, Side |
|      | 230-1180 | 35/CF Deflector, Rear |
|      | 230-1568 | JIC Deflectors, all   |



# Open Burner

| Item | Part #     | Component   |
|------|------------|---|
| 2    | 826-1155   | Igniter Kit, Optional Piezo                           |
|      | 807-1906   | Electrode Assembly                                    |
|      | 810-1001   | Trigger   |
| 3    |            | Pilot Assembly  |
|      | 806-8688SP | Propane or Butane Gas, w/Thermopile (w/co-axial lead) |
|      | 810-1830   | Natural Gas, w/Thermopile (w/twin-leads)              |
|      | 810-0426   | Natural Gas, w/o Thermopile or Thermocouple           |
|      | 810-0616   | Propane or Butane Gas, w/Thermopile (w/co-axial lead) |
|      | 810-1773   | Propane or Butane Gas, w/Thermopile (w/twin leads)    |
|      | 810-0427   | Propane or Butane Gas, w/o Thermopile or Thermocouple |
| 4    |            | Thermopile/Thermocouple                               |
|      | 810-1873   | Thermopile w/push-on terminals                        |
| 5    |            | Valve, Gas (see Note 1 below)                         |
|      | 810-0975   | Knob, Gas Valve                                       |
|      | 807-3294   | Natural Gas (for 240V, use 807-0025)                  |
|      | 807-3295   | Propane/Butane Gas (for 240V, use 807-0759)           |

**NOTE:** A gas valve capacitor (P/N 806-4781) is required on gas valves used on units with Thermostat Controllers.

# Decathlon



The Decathlons are large tube fryers often used for bone-in chicken. Flame passes through tubes in the frypot, which transfer heat to the oil. Decathlon is indicated in the model name with a D: D50's, D60's and D65's are all models of the Decathlon family.

## Unique physical characteristics:

- Burner tubes rest on a gas manifold at the front of the fryer, transferring heat to tubes in the frypot.

## Where used:

- The Decathlon is common in Chili's.

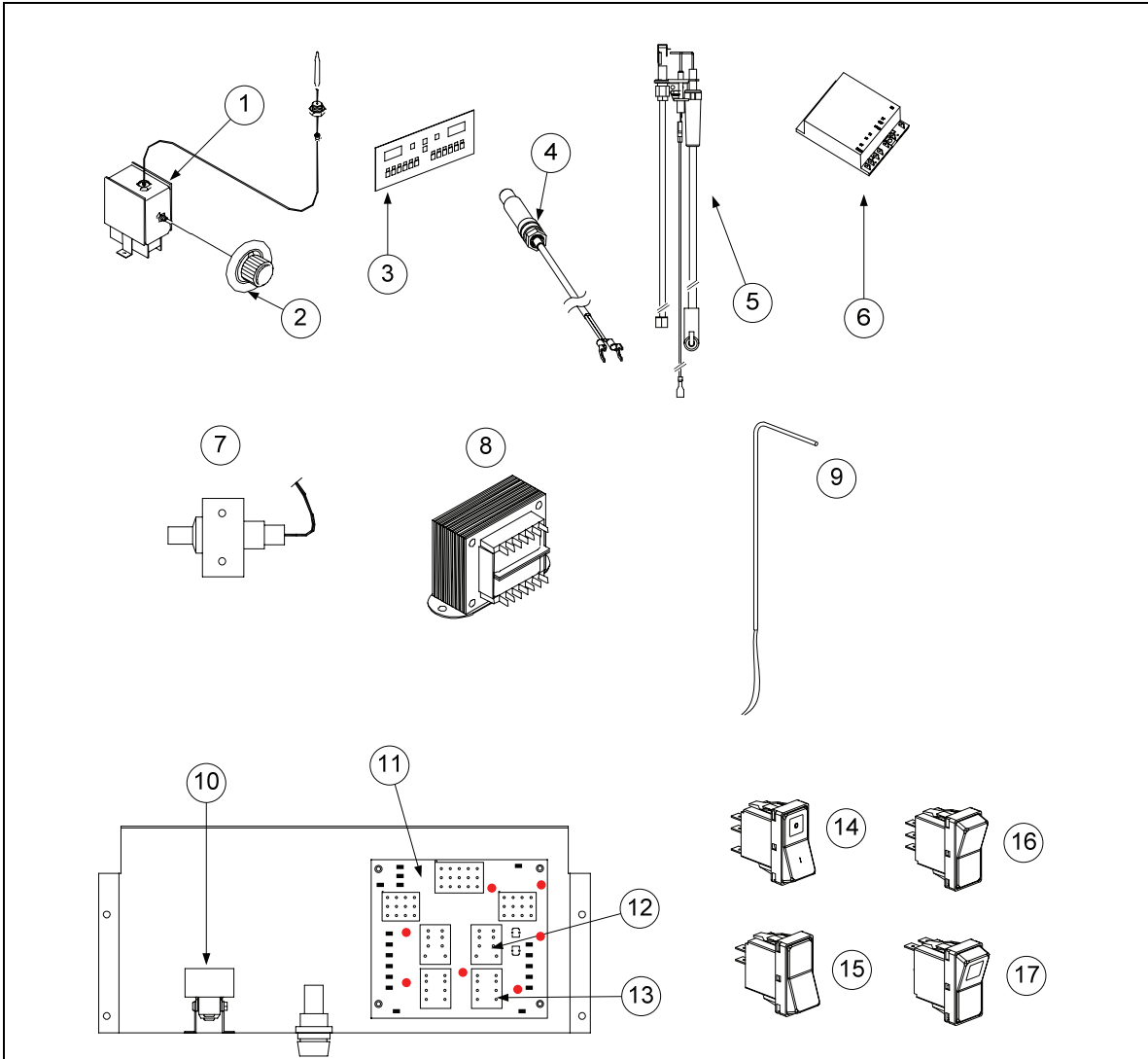
## Common Model numbers:

- SCFHD250, SCFHD350, SCFHD460, HD160



# Decathlon

## Common Primary Components and Controllers



| Item                                     | Part #   | Component                                    |
|--|----------|--|
| <b>Computers/Controllers/Thermostats</b> |          |  |
| 1  | 826-2013 | Thermostat, Sunne                            |
| 2  | 810-2035 | Knob, Thermostat                             |
| *  | 826-2413 | Computer, Compu-Fry III.5                    |
| *  | 826-2414 | Computer, Compu-Fry, Dual vat                |
| *  | 806-8308 | Computer, CM4-S (FPD65) Popeye's             |
| *  | 806-8305 | Computer, CM4-S                              |
| *  | 106-3028 | Computer, CM4-S, with HD Bezel               |
| *  | 806-5139 | Computer, remote                             |
| *  | 106-6025 | Analog Controller, Boston Market             |
| *  | 806-4803 | Cable Assembly, Compu-Fry to Interface Board |
| *  | 826-2269 | Potentiometer, Thermatron                    |
| *  | 816-0534 | Knob, Control, Thermatron                    |
| <b>Pilot Components</b>                  |          |  |

\* Not illustrated.

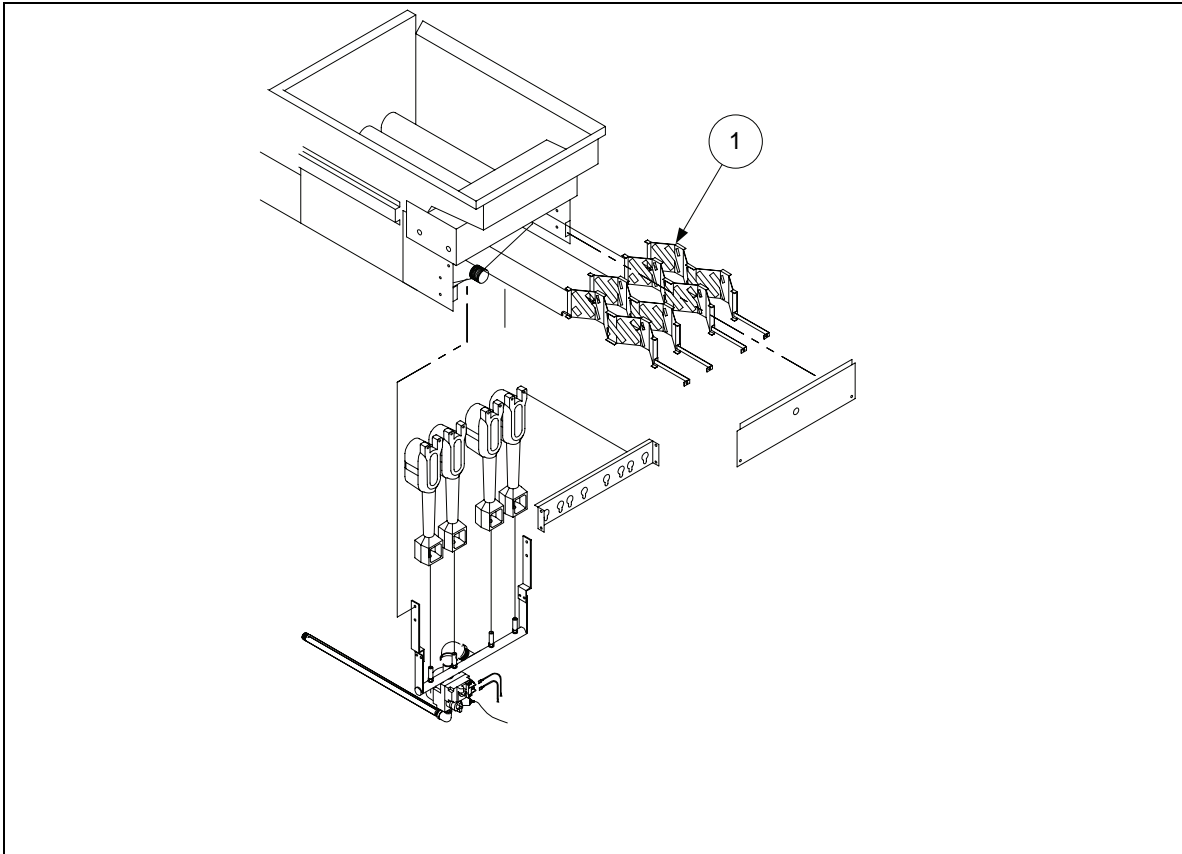
# Decathlon

| Item | Part #   | Component   |
|------|----------|---|
| 4    | 807-3485 | Thermopile  |
| *    | 807-3550 | Thermocouple  |
| 5    | 807-1311 | Pilot Assembly- Natural Gas- Electronic Ignition                          |
| *    | 812-1676 | Pilot Assembly- LP Gas- Electronic Ignition                               |
|      |          | <b>Ignition Components</b>  |
| 6    | 826-2117 | Spark Module  |
| *    | 807-1315 | Ignition Cable, D   |
| *    | 106-7535 | Ignition Cable, HD  |
| 7    | 810-1001 | Piezo Ignitor (Trigger)   |
| *    | 807-3540 | Electrode, Piezo  |
|      |          | <b>Transformers</b>   |
| 8    | 807-3551 | Transformer, Honeywell 120/24 VAC   |
| *    | 807-0855 | Transformer, 120/12 VAC   |
| *    | 807-0800 | Transformer, 120/24 VAC   |
| *    | 807-3551 | Transformer, 120/208/240/24VAC  |
|      |          | <b>Probe Assemblies</b>   |
| 9    | 826-2423 | Probe Assembly (RTD), Temperature, Dean Computer                          |
| *    | 106-5419 | Probe Assembly, Temperature- Thermatron- <b>D20 &amp; D50</b>             |
| *    | 106-1976 | Probe Assembly, Temperature- <b>D60 &amp; D80</b> (New Design)            |
|      |          | <b>High Limit</b>   |
| 10   | 807-3680 | High-Limit Thermostat- Manual Reset 450° F                                |
|      |          | <b>Interface Boards</b>   |
| 11   | 826-2425 | Interface Board, Dean Computer Only. Manual pilot                         |
| *    | 826-2434 | Interface Board for Electronic Ignition                                   |
| *    | 106-3287 | Interface Board, Thermatron- 24 VAC                                       |
| *    | 826-2086 | Interface Board, Thermatron- 12/208-240                                   |
| *    | 826-2031 | Interface Board, Thermatron- 115/220V                                     |
|      |          | <b>Fuses/ Circuit Breaker</b>   |
| *    | 807-3577 | Circuit Breaker, 7 amp  |
| *    | 807-3592 | Fuse, 2 amp, Slo Blo  |
| *    | 807-3750 | Fuse, 5 amp   |
|      |          | <b>Relays</b>   |
| 12   | 807-0834 | Relay, 12VDC 15A 1PDT (Basketlift)  |
| 13   | 807-0833 | Relay, 12VDC 5A 1PDT (Latching)   |
| *    | 807-3611 | Relay, Filter Pump  |
| *    | 807-3640 | Relay, Boil Out   |
|      |          | <b>Switches</b>   |
| *    | 807-2104 | Microswitch   |
| 14   | 807-3574 | Switch, Power- Green Lens   |
| 15   | 807-3580 | Switch, Rocker- Manual Filter Power                                       |
| 16   | 807-3579 | Switch, Boil-Out- 6-Terminal  |
| 17   | 807-3576 | Switch, Fryer Reset (Momentary)   |
|      |          | <b>Gas Valves</b>   |
| *    | 807-3552 | Gas Valve, Natural Gas, Electronic Ignition 24 VAC <b>D20-D50-D60-D80</b> |
| *    | 807-3628 | Gas Valve, LP Gas, Electronic Ignition 24 VAC <b>D20-D50-D60-D80</b>      |
| *    | 810-2156 | Gas Valve, Natural Gas 120 VAC <b>D20-D50-D60-D80</b>                     |
| *    | 810-2323 | Gas Valve, LP Gas 120 VAC <b>D20-D50-D60-D80</b>                          |
|      |          | <b>Pilot Burners</b>  |
| *    | 810-2158 | Pilot Burner- Natural Gas, <b>D20</b>                                     |
| *    | 810-2526 | Pilot Burner- LP Gas, <b>D20</b>  |
| *    | 810-2032 | Pilot Burner- Natural Gas, <b>D50-D60-D80</b> (Primary and Trailing)      |
| *    | 810-2155 | Pilot Burner- LP Gas, <b>D50-D60-D80</b> (Primary and Trailing)           |

\* Not illustrated.

# Decathlon

## Decathlon Frypot Components



| Item | Part #   | Component                                       |
|------|----------|---|
| 1    |          | Diffusers                                       |
|      | 230-2593 | Diffuser Assembly <b>D20</b>                    |
|      | 210-5175 | Diffuser Assembly <b>D50</b>                    |
|      | 210-8387 | Diffuser Assembly <b>D60</b>                    |
|      | 210-5177 | Diffuser Assembly <b>D80</b>                    |
|      | 230-1342 | Diffuser Assembly <b>HD50</b>                   |
|      | 230-1431 | Diffuser Assembly <b>HD60</b> and <b>FPHD65</b> |

# 24G



The 24G is a large flatbottom fryer with draft induction system, which draws heated air across the bottom of the fryer. Baffles welded to the pot impede the flow of the air and increase temperature transfer.

**Unique physical characteristic:**

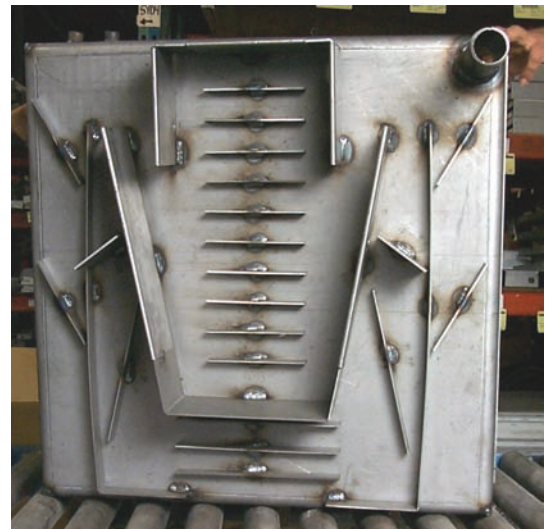
- Rear draft system

**Where used:**

- KFC, LJS, Captain D's and other fish chains

**Common Model Numbers:**

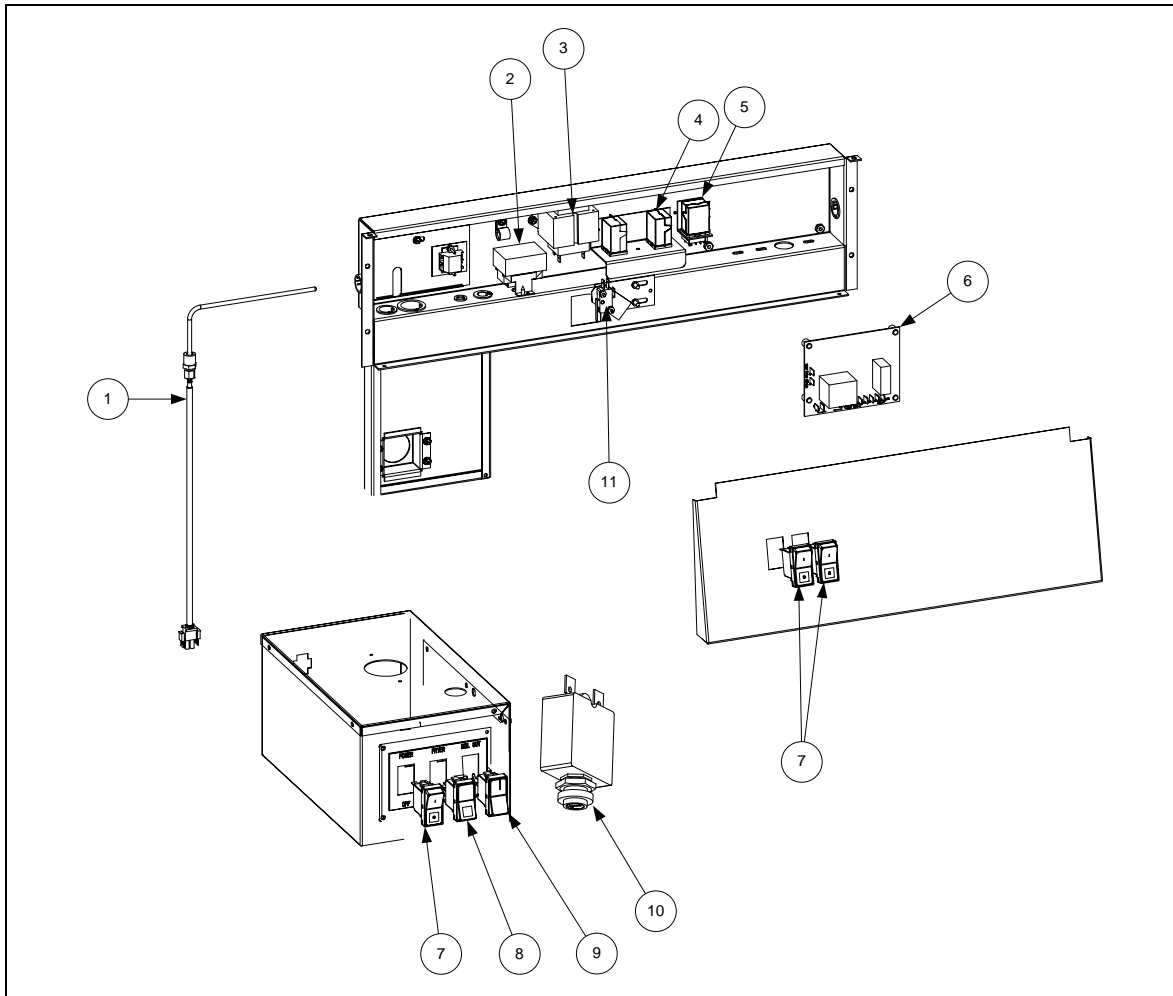
- 1824G, 2424G, KSCF42424G



Heated air is drawn across the bottom of the 24G frypot with a blower-driven draft system.

# 24G

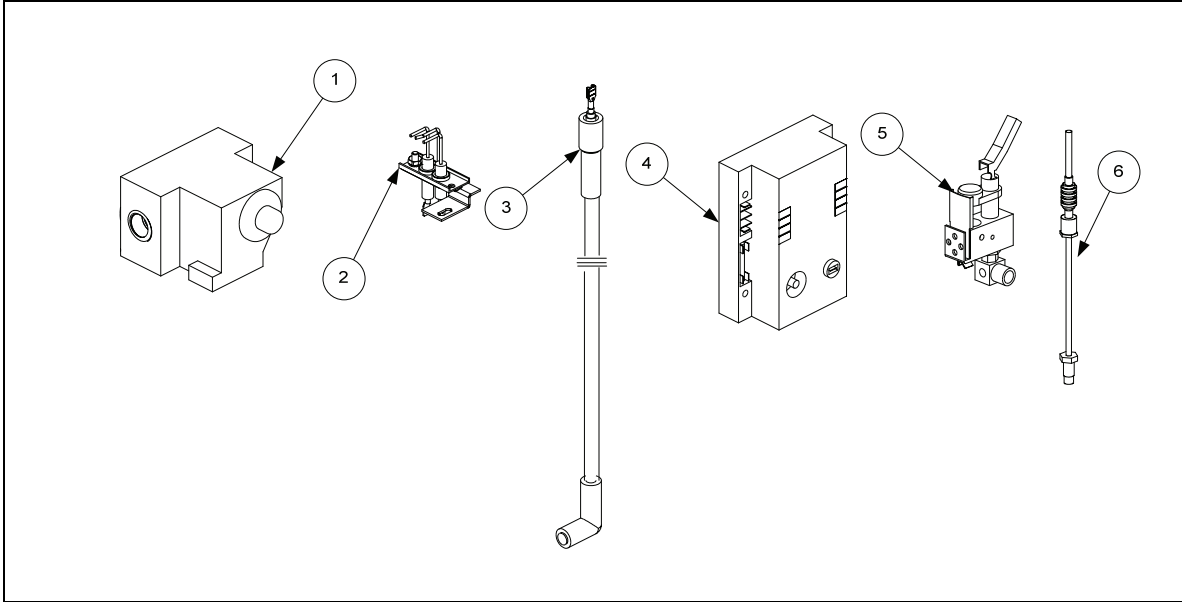
## Electrical Components



| ITEM | PART #     | COMPONENT  |
|------|------------|--|
| 1    | 106-2607SP | Thermatron Probe, 20" wires                                    |
| *    | 106-0882   | Thermatron Probe, 62 1/2" wires                                |
| 2    | 807-3559   | High-Limit Thermostat, 435°F with manual reset                 |
| 3    | 807-0800   | Transformer, 120V/24V 50/60Hz 50VA                             |
| 4    | 807-3640   | Relay, 120V Coil (Right Relay)                                 |
| 5    | 807-3611   | Relay, 24VAC Coil (Latch or filter, plug-in style)             |
| *    | 807-4114   | Relay, 24VAC (left relay) Latch or Filter, used after Sept. 04 |
| 6    | 826-2086   | Thermatron Board, 115V   |
| 7    | 807-3574   | Switch, Power ON/OFF Rocker                                    |
| 8    | 807-3576   | Switch, Momentary Reset  |
| 9    | 807-3580   | Switch, Boil-Out   |
| 10   | 807-3577   | 7-amp Circuit Breaker  |
| 11   | 807-2103   | Oil-return Microswitch   |
| *    | 106-1978   | Lamp Assembly, red 120V (106-4730, white 24V)                  |
| *    | 106-4686   | Lamp Assembly, green 120V (106-4729, 24V)                      |
| *    | 807-3577   | 7-amp Circuit Breaker  |

\* Not illustrated.

# 24G



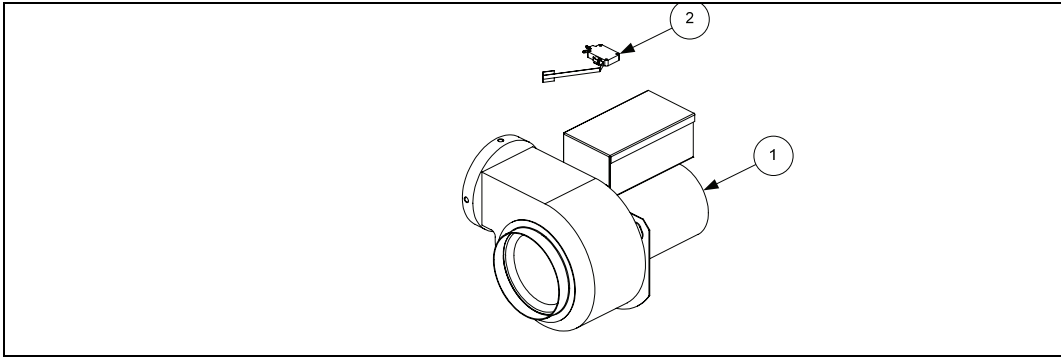
| ITEM | PART #     | COMPONENT   |
|------|------------|---|
| 1    |            | <b>Valve, Gas</b>   |
|      | 807-3555   | 24V Natural   |
|      | 807-3690   | 24V Propane (LP)  |
|      | 810-2156   | 120V Natural  |
|      | 810-2323   | 120V Propane (LP)   |
|      |            | <b>Electronic Ignition Components</b>                     |
| 2    | 807-3556   | Igniter and Flame Sensor Assembly                         |
| *    | 106-1645SP | Flame Sensor Wire   |
| 3    | 106-1644SP | Ignition Cable  |
| 4    | 807-0918   | Module, Ignition (11-second spark module)                 |
| *    | 807-3551   | Transformer, Electronic Ignition                          |
|      |            | <b>Pilot Ignition Components</b>                          |
| 5    |            | <b>Pilot Burner</b>                                       |
|      | 810-2403   | Natural Gas   |
|      | 810-2403   | Propane (LP) Gas (Use 810-2400 LP burner orifice)         |
| 6    | 807-3550   | Thermocouple, 120V  |
|      |            | <b>Post Fall 2005 24V Gas Valve-equipped Fryers</b>       |
| *    | 807-3294   | 24V gas valve, Honeywell                                  |
| *    | 807-3295   | 24V propane gas valve, Honeywell                          |
| *    | 807-3485   | Thermopile generator with adapter                         |
| *    | 807-0800   | Transformer, 120/24V 50/60Hz 50VA (gas valve transformer) |

\* Not illustrated.



# 24G

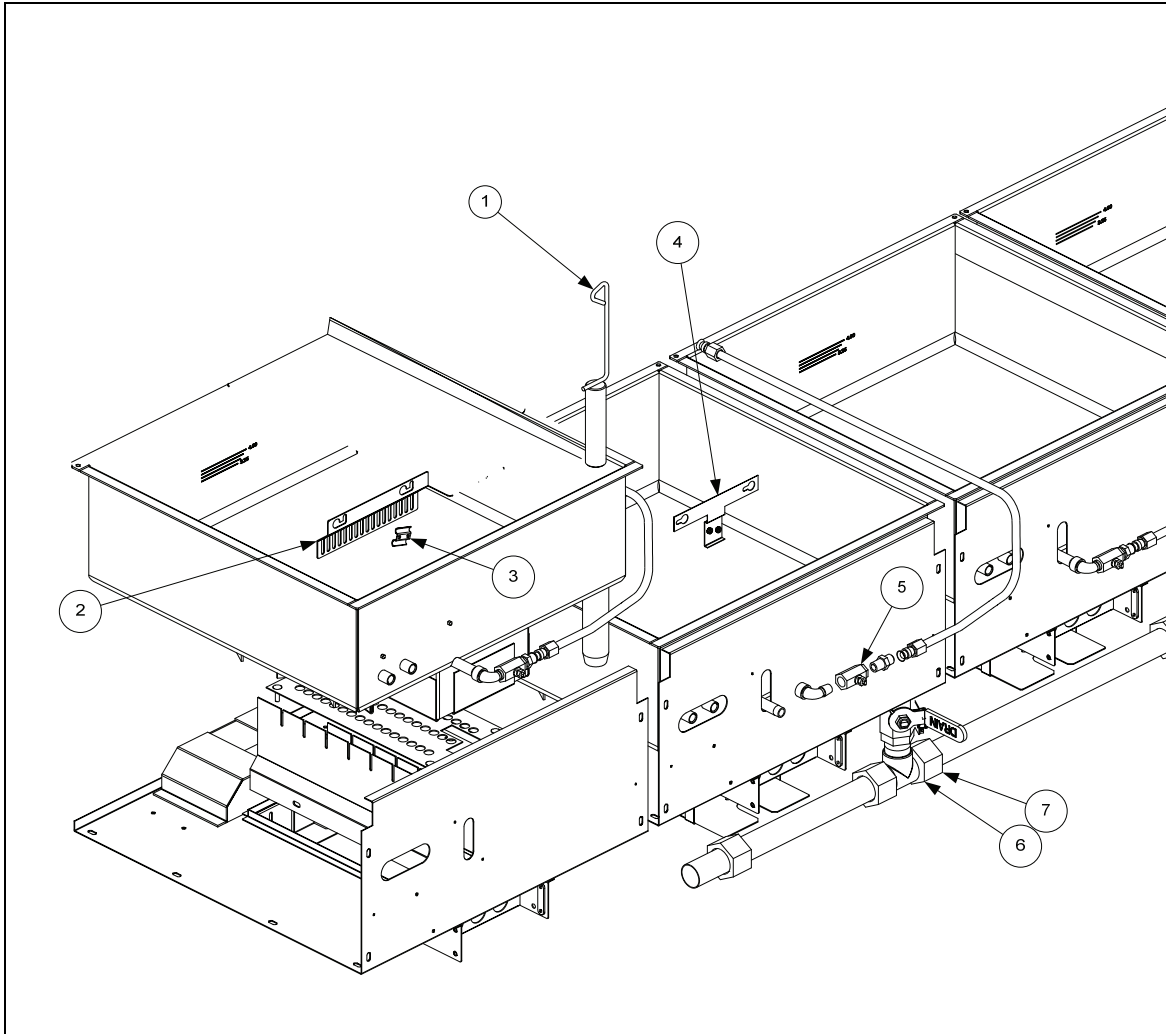
## Blower Assembly, Combustion Air



| ITEM | PART #   | COMPONENT                        |
|------|----------|----------------------------------|
| 1    |          | Motor, Blower Assembly           |
|      | 807-3573 | 120V                             |
| 2    | 807-3746 | Switch, Sail (Air Prover Switch) |

# 24G

## Drain, Oil-Return Frypot Kits



| ITEM | PART #   | COMPONENT   |
|------|----------|---|
| 1    | 823-3174 | Drain Plug, frypot  |
| 2    | 200-4725 | Guard, probe and high-limit   |
| 3    | 210-1433 | Clamp, probe and high limit bulb  |
| 4    | 823-4548 | Retainer, probe   |
| 5    | 810-2125 | Oil return valve, 3/8"  |
| 6    | 809-0884 | Nut, slip joining   |
| 7    | 816-0544 | O-ring (2 required per slip joint nut)  |
| *    | 826-1823 | Frypot Kit, 1824G (Front Drain, Front Return) <i>(use 826-1821 for 2424G)</i>   |
| *    | 826-1822 | Frypot Kit, 1824G (Front Drain, w/o Filtration) <i>(use 826-1820 for 2424G)</i> |
| *    | 826-1828 | Frypot Kit, 1824G (Rear Drain, Front Return) <i>(use 826-1842 for 2424G)</i>    |

\* Not illustrated.



# Dean Millivolt



The SR and SM-series of Dean fryers are millivolt-powered units.

## **Unique Physical Characteristics:**

- A no-frills millivolt fryer.

## **Where used:**

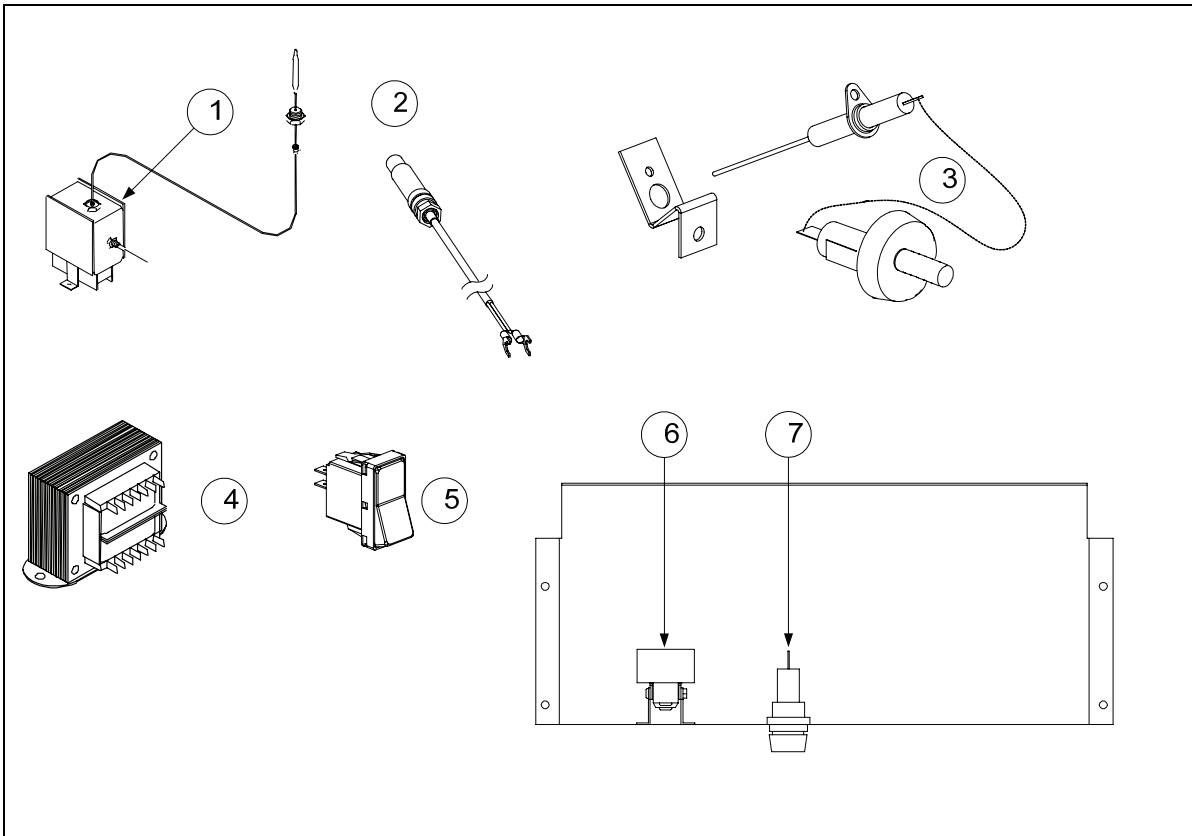
- IHOP uses SM fryers with filtration, small restaurants, bars, catering vehicles use the SR series.

## **Common Model Numbers:**

SR42, SR52, SR62, SM250, SM150, SCFSM250

# Dean Millivolt

## Component Box Components and Related Components

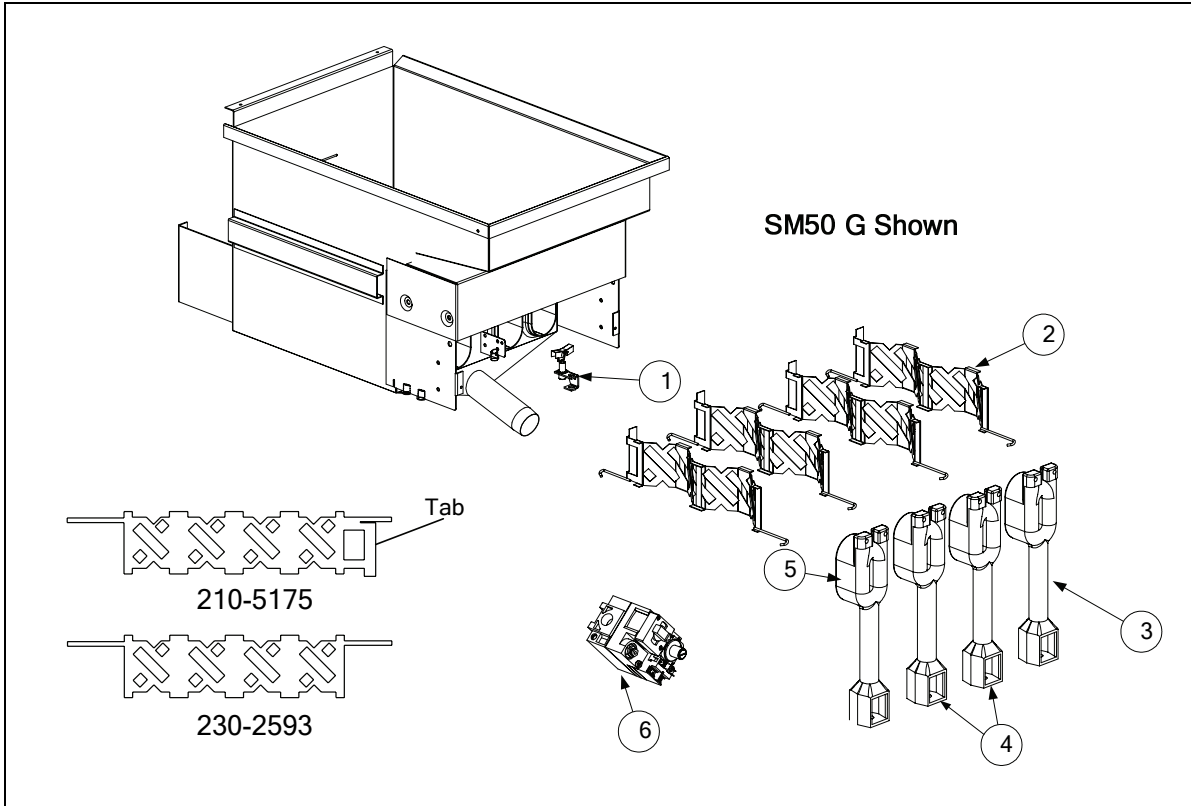


| Item | Part #   | Component   |
|------|----------|---|
| 1    | 826-2013 | Thermostat, Sunne   |
| 2    | 807-3485 | Thermopile  |
| 3    | 810-1001 | Piezo Ignitor (Trigger) (Wire Lead-807-3650) (Assembly-44970SP) |
| 4    | 807-0800 | Transformer, 120/24 VAC- Filtration System                      |
| 5    | 807-3580 | Switch, Rocker- Manual Filter Power                             |
| 6    | 807-3516 | High-Limit Thermostat- Automatic Reset 435° F SM20/35,SR40/42   |
| *    | 807-3680 | High-Limit Thermostat- Manual Reset 450° F                      |
| 7    | 807-1321 | Fuse Holder, Buss   |
| *    | 807-3750 | Fuse 5A (120V Systems)  |
| *    | 826-1392 | O-Rings (Pkg. of 5)   |
| *    | 807-3611 | Relay, Filter 24A DPDT  |
| *    | 807-2103 | Microswitch, Straight Lever                                     |

\* Not illustrated.

# Dean Millivolt

## Frypots and Related Components



| Item | Part #   | Description  |
|------|----------|--|
| 1    |          | <b>Pilot Assemblies</b>  |
|      | 810-2689 | Pilot Assembly Honeywell w/ Piezo- Natural (Use 810-2690 for LP) SM20G           |
|      | 106-4968 | Pilot Assembly w/ Piezo-Natural SM20G  |
|      | 810-2158 | Pilot Burner- SM20G- Natural(0.18 Orifice) (Use 810-2526 for LP)                 |
|      | 810-2690 | Pilot assembly, LP, SM20   |
|      | 810-2032 | Burner, Pilot- Natural & MFG (Also Used For Main Pilot) SM60G, SR62G, SM80G, 50G |
|      | 106-0692 | Burner, Pilot Assembly- Natural & MFG SM60G, SR62G, SM80G                        |
|      | 810-2155 | Burner, Pilot- LP (Also Used For Main Pilot) SM60G, SR62G, SM80G, SM50           |
| 2    |          | <b>Diffusers</b>   |
|      | 210-5197 | Diffuser, Burner Tube- SM80G   |
|      | 210-5215 | Diffuser, Burner Tube- SM60G, SR62G  |
|      | 230-2593 | Diffuser, Burner Tube- SR52G, SM/D50, SM/D20                                     |
|      | 210-5175 | Diffuser, Burner Tube- SM50G, SM20 (with tab)                                    |
|      | 230-2592 | Diffuser, Burner Tube- SR38G, SR42G, SM35G, SM40G                                |
|      |          | <b>Burners</b>   |
| 3    | 810-2150 | Burner, Right- SM60G, SM80G, SR62G, SM20, SR52G, SM50G                           |
| 3    | 810-2039 | Burner, Right- SR38G, SR42G, SM35G, SM40G  |
| 4    | 810-2149 | Burner, Center- SM60G, SM80G, SR62G, SR52G, SM50G                                |
| 4    | 810-2038 | Burner, Center- SR38G, SR42G, SM35G, SM40G                                       |

# Dean Millivolt

| Item | Part #   | Description  |
|------|----------|--|
| 5    | 810-2151 | Burner, Left- <b>SM60G, SM80G, SR62G, SM20G, SR52G, SM50G</b>  |
| 5    | 810-2037 | Burner, Left- <b>SR38G, SR42G, SM35G, SM40G</b>  |
| 6    |          | <b>Valves</b>  |
|      | 807-1603 | Valve, Gas- Natural, Honeywell- 1/2" in x 1/2" out Started using Feb. 2003<br><b>SM50G, SM20, SR, SM35, SM40, SM50</b> |
|      | 807-3648 | Valve, Gas- Natural, Honeywell- 3/4" in x 3/4" out Started using Feb. 2003<br>Export <b>SM50G</b>                      |
|      | 807-3645 | Valve, gas, nat. Robertshaw, 1/2" x 3/4", <b>SR, SM20, SM35, SM40, SM50, SR62, SM60, SM80</b>                          |
|      | 826-2267 | Valve, gas, nat. Honeywell, 1/2" x 3/4" <b>SR, SM20, SM35, SM40, SM50 SR62, SM60, SM80</b>                             |
|      | 826-2276 | Valve, Gas- LP, Robertshaw MV <b>SM60G, SR62G, SM80G, SM20G (Valve with LP kit)</b>                                    |
|      | 826-2268 | Valve, gas, LP, Honeywell, <b>SM35, SM40, SM50, SR62, SM60, SM80,</b>  |
|      | 807-3553 | Valve, gas, LP, Honeywell, 1/2" x 1/2", <b>SR series, SM35, SM40, SM50</b>   |
|      | 807-1604 | Valve, gas, LP, Honeywell 1/2" x 1/2" use started 2/03, <b>SR series, SM35, SM40, SM50, SM20</b>                       |
|      | 810-2138 | Valve, Trailing Pilot- <b>SM60G, SM80G, SR62G</b> adjustment valve   |
| *    |          | <b>Conversion Kits</b>   |
|      | 826-1817 | Natural to LP, <b>SR42</b>   |
|      | 826-2017 | LP to Natural, <b>SR42</b>   |
|      | 826-2018 | Natural to LP, <b>SR52/SM50 (with Honeywell valve)</b>   |
|      | 826-2019 | LP to Natural, <b>SR52/SM50 (with Honeywell valve)</b>   |
|      | 826-2020 | Natural to LP, <b>SR62/SM60 (with Honeywell valve)</b>   |
|      | 826-2021 | LP to Natural, <b>SR62/SM60 (with Honeywell valve)</b>   |
|      | 807-1846 | Valve kit, Nat to Pro, <b>SR 52,62, SM35, SM40, SM50</b>   |

\* Not illustrated.

# Pro Electric/RE



RE

## Pro Electric

The Pro Electric fryer, which introduced a new filter pan and a large drain manifold among other design changes, was followed by the RE, which introduced a unique rotating element. The units share many common electrical components.

### Unique physical characteristics:

Pro Electric — 3-inch drain manifold, filter pan redesign

RE — Recessed rotating element mounting mechanism, repositioned and redesigned contactor boxes

### Where used:

All major chains

### Common Model numbers:

- **Pro Electric** — FPPH214, FPPH217, FMPH214; **McDonald's**: BIPH214, BIPH314
- **RE** — FPRE317, FPRE 217, FPRE214; **McDonald's**: BIRE314, BIRE414, BIRE214

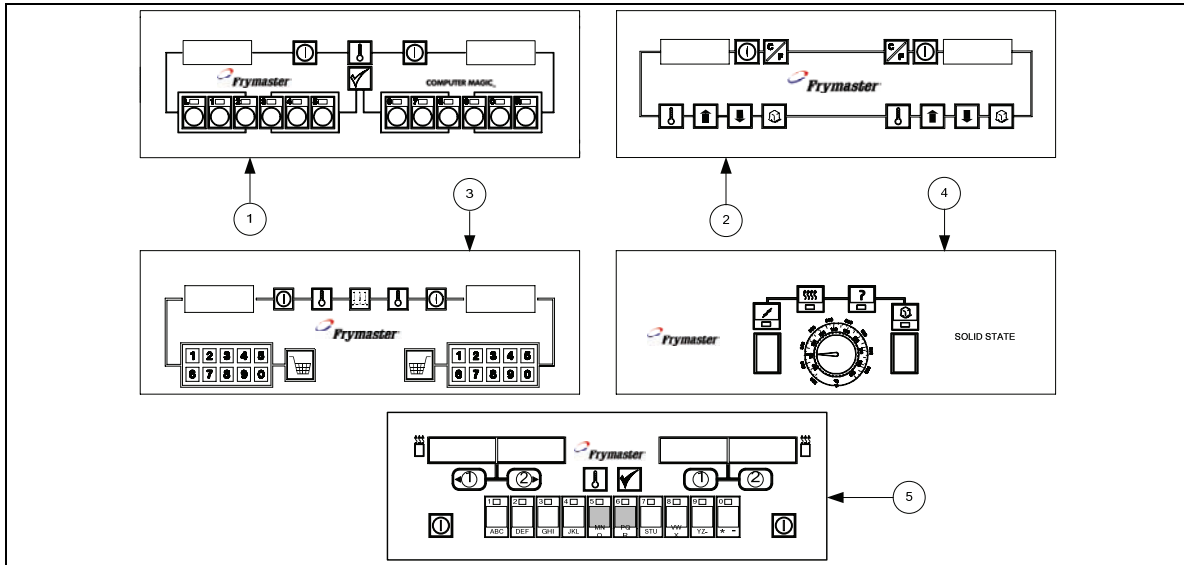


The RE fryer has a recessed tubular mounting point for the elements which rotates. This is the most obvious difference between the RE and the Pro Electric.



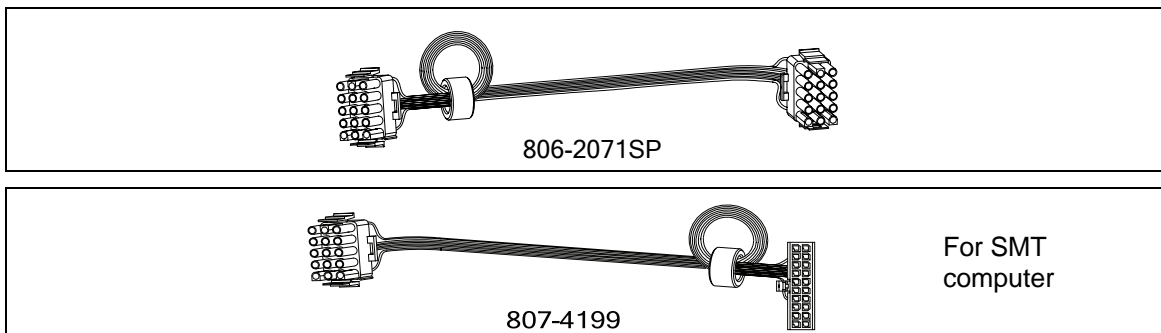
# Pro Electric/RE

## Controllers



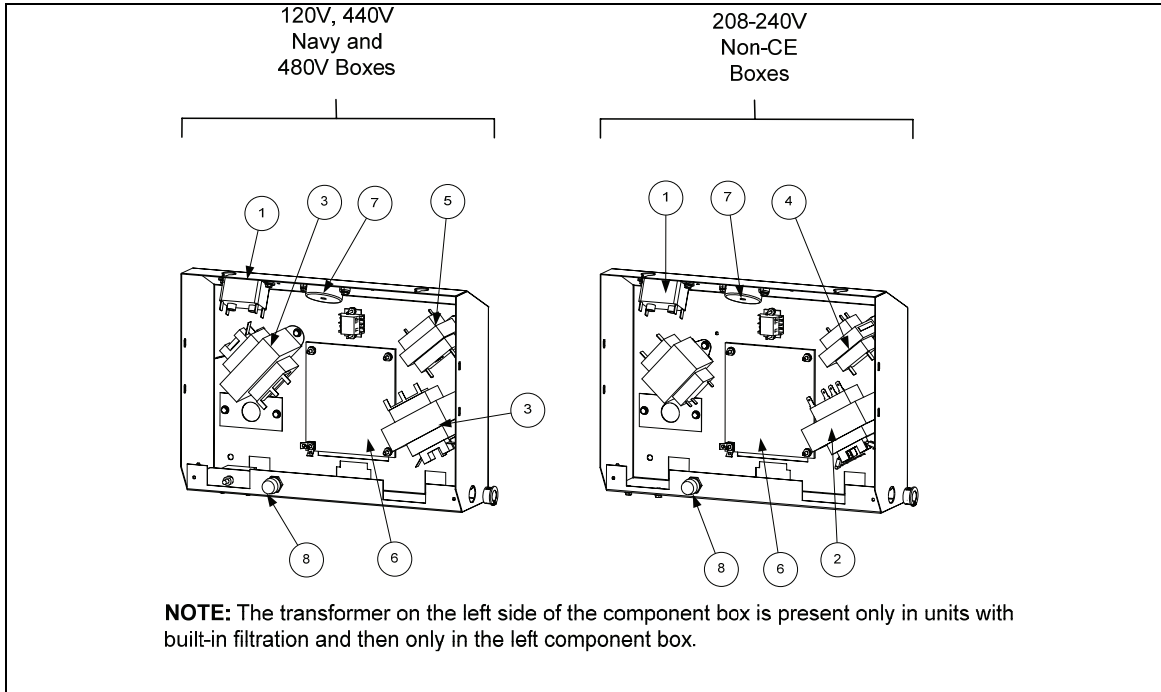
| Item | Standard Part # | Euro-look Part # | Component  |
|------|-----------------|------------------|--|
| 1    |                 |                  | <b>Computer Magic III.5</b>                          |
|      | 826-2333        | 826-2332         | Full-Vat   |
|      | 826-2334        | 826-2405         | Dual-Vat   |
|      | 826-2335        | 826-2397         | Full-Vat (Triac/Solid State)                         |
|      | 826-2336        | 826-2398         | Dual-Vat (Triac/Solid State)                         |
| 2    |                 |                  | <b>Digital Controller</b>                            |
|      | 826-2303        | 826-2329         | Full-Vat   |
|      | 826-2362        | 106-4340         | Dual-Vat   |
| 3    |                 |                  | <b>Basket Lift Timer</b>                             |
|      | 106-2088SP      | 106-4363         | Full-Vat   |
|      | 106-2089SP      | 106-4364         | Dual-Vat   |
| 4    |                 |                  | <b>Solid-State (Analog) Controller</b>               |
|      | 806-7422        | 106-7987         | Full-Vat   |
|      | 806-7423        | 106-4334         | Dual-Vat   |
|      | 810-0387        | 810-0387         | Knob   |
| 5    |                 |                  | <b>McDonald's Replacement Controllers (No bezel)</b> |
|      | 826-2346        | 826-2343         | M2000  |

## Interface Board to Controller Wiring Harness – 15-Pin



# Pro Electric/RE

## Component Boxes

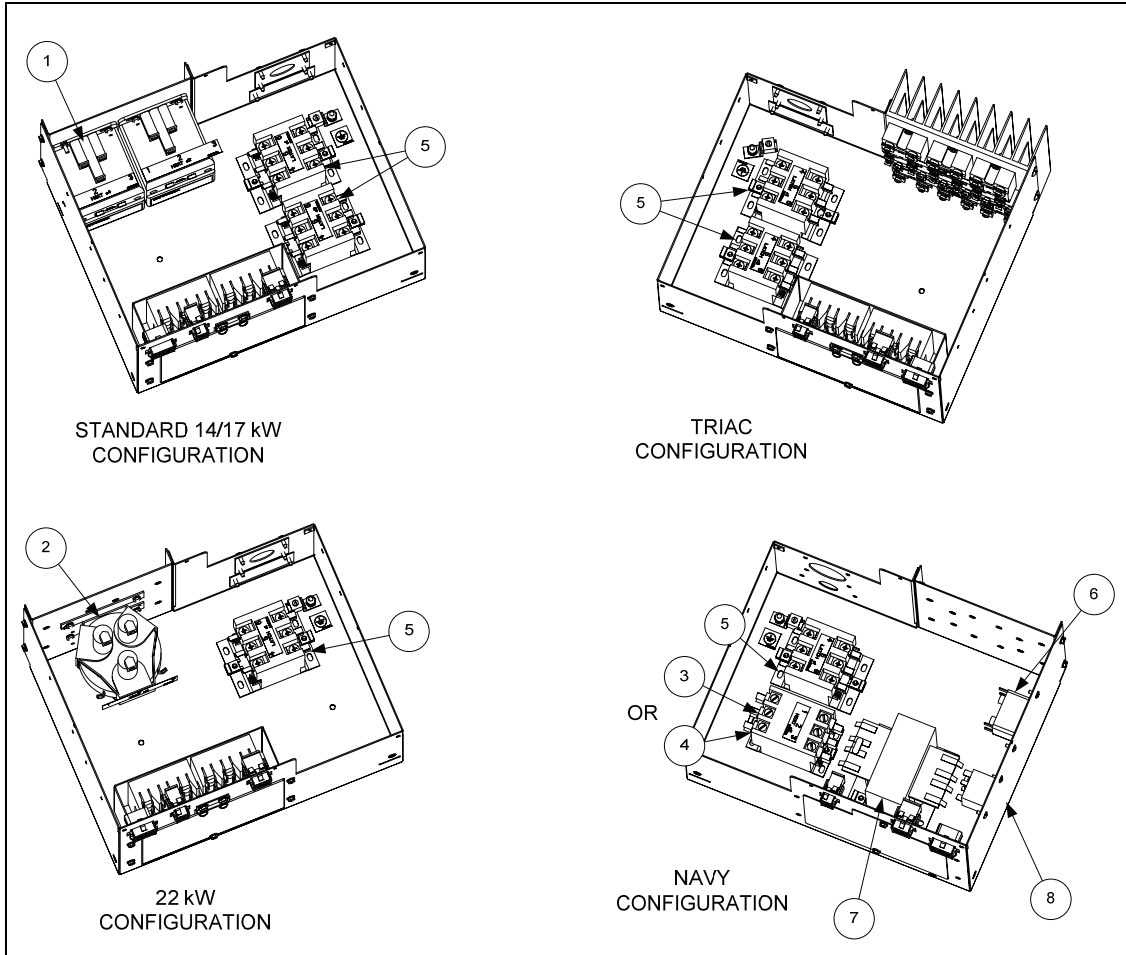


| Item | Part #     | Component  |
|------|------------|--|
| 1    | 807-0012   | Relay, 18 Amp 1/3 HP 24V Coil  |
| 2    | 807-2180   | Transformer, 208-240V 50VA   |
| 3    | 807-2181   | Transformer, 100-120V/24V 60VA   |
| 4    | 807-0680   | Transformer, 208-240V/24V 20VA   |
| 5    | 807-0855   | Transformer, 100-120V/12V 20VA   |
| *    | 807-0979   | Transformer, 208-240V/12V 43VA   |
| 6    |            | <b>Pro Series Interface Board</b>  |
|      | 826-2256   | Standard (Non-Triac), Full- or Dual-Vat                                  |
|      | 826-2257   | Triac, Full- or Dual-Vat   |
|      | 106-5335   | Fast Computer, Full- or Dual-Vat   |
| 6    |            | <b>RE Interface Boards</b>   |
|      | 826-2260   | Standard, Full or Dual Vat   |
|      | 106-6501   | Fallback Controller Assembly   |
|      | 807-3932   | Relay, Heat and Latch 12 VDC SPDT 12A                                    |
| 7    | 806-7179SP | Sound Device   |
| *    | 826-2458   | Speaker, McDonald's  |
| 8    | 807-0069   | Circuit Breaker, 10 Amp  |
| *    |            | <b>24 Volt Transformers Used in Common Electric Units</b>                |
|      | 807-2192   | 100-120V/12V   |
|      | 807-0680   | 208/240V/24V (no fuse)   |
|      | 807-0800   | 120V 50VA/24V (no wires)   |
|      | 807-1999   | 208/220/230/240V 20/50 VA 12/24  |
|      | 807-4036   | Switch (used on RE control box)  |
|      | 826-2249   | RE Hood/Ansul Interlock Kit (includes terminal block, wires, connectors) |

\* Not illustrated.

# Pro Electric/RE

## Contactor Boxes



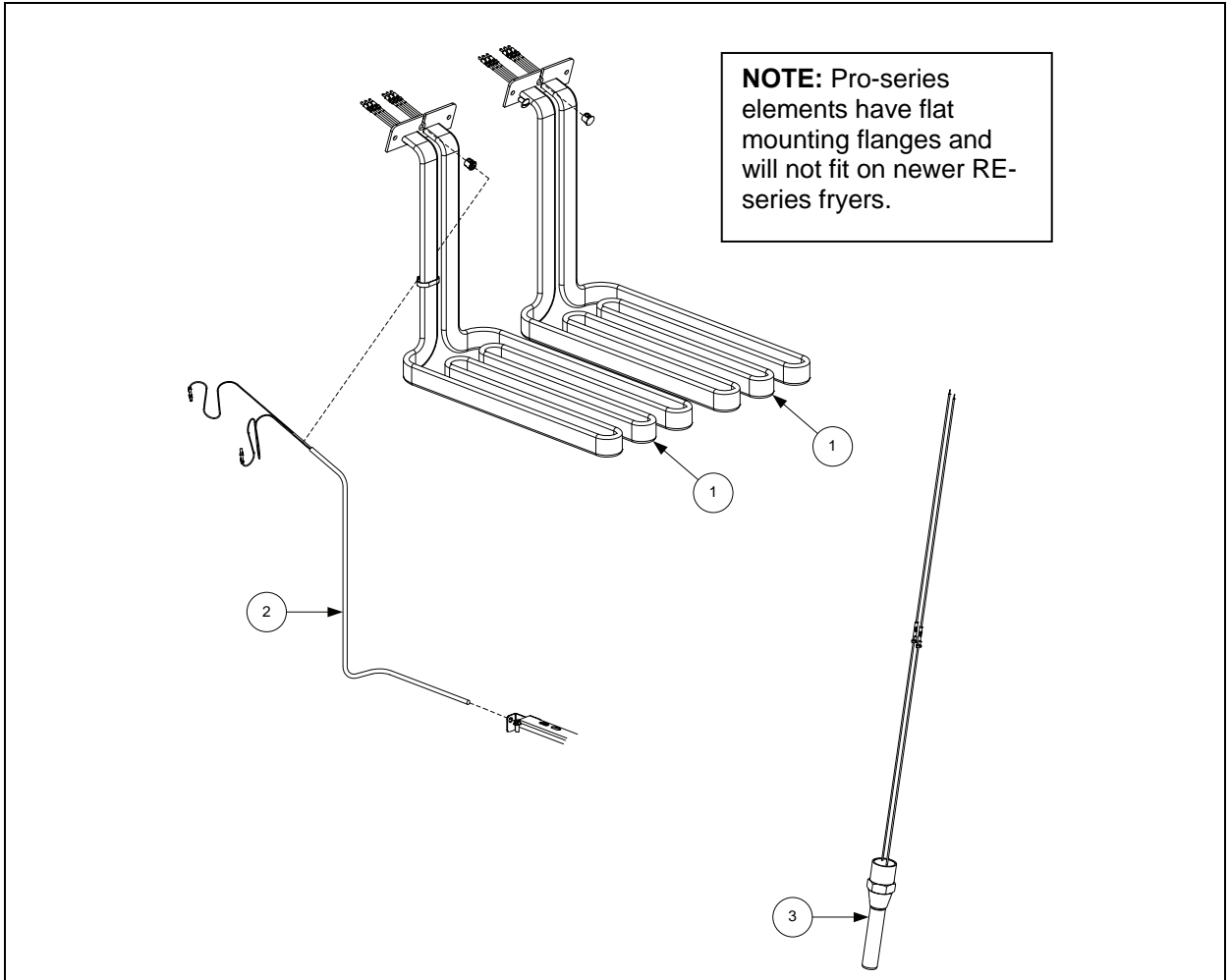
| Item | Part #   | Component  |
|------|----------|--|
| 1    | 807-1071 | Contactor, 24V 30 Amp Mercury  |
| 2    | 807-0884 | Contactor, 24V 35-50 Amp Mercury   |
| 3    | 807-2284 | Contactor, 24V 50 Amp Mechanical ( <i>only in 14 &amp; 17kW Navy units</i> ) |
| 4    | 807-2283 | Contactor, 24V 63 Amp Mechanical ( <i>only in 22kW Navy units</i> )          |
| 5    | 810-1202 | Contactor, 24V 40 Amp 3-Pole   |
| 6    | 807-0012 | Relay, 18 Amp 1/3 HP 24V Coil  |
| 7    | 807-0064 | Transformer, 480V/120V 150VA   |
| 8    | 807-1683 | Relay, 12VDC   |
| **   | 826-1562 | Relay, Solid State 50 Amp 280V   |
| *    | 807-0331 | 250V transformer   |

\* Not illustrated.

\*\* Dual-vat Assembly has six relays (826-1562); full-vat Assembly has three relays.

# Pro Electric/RE

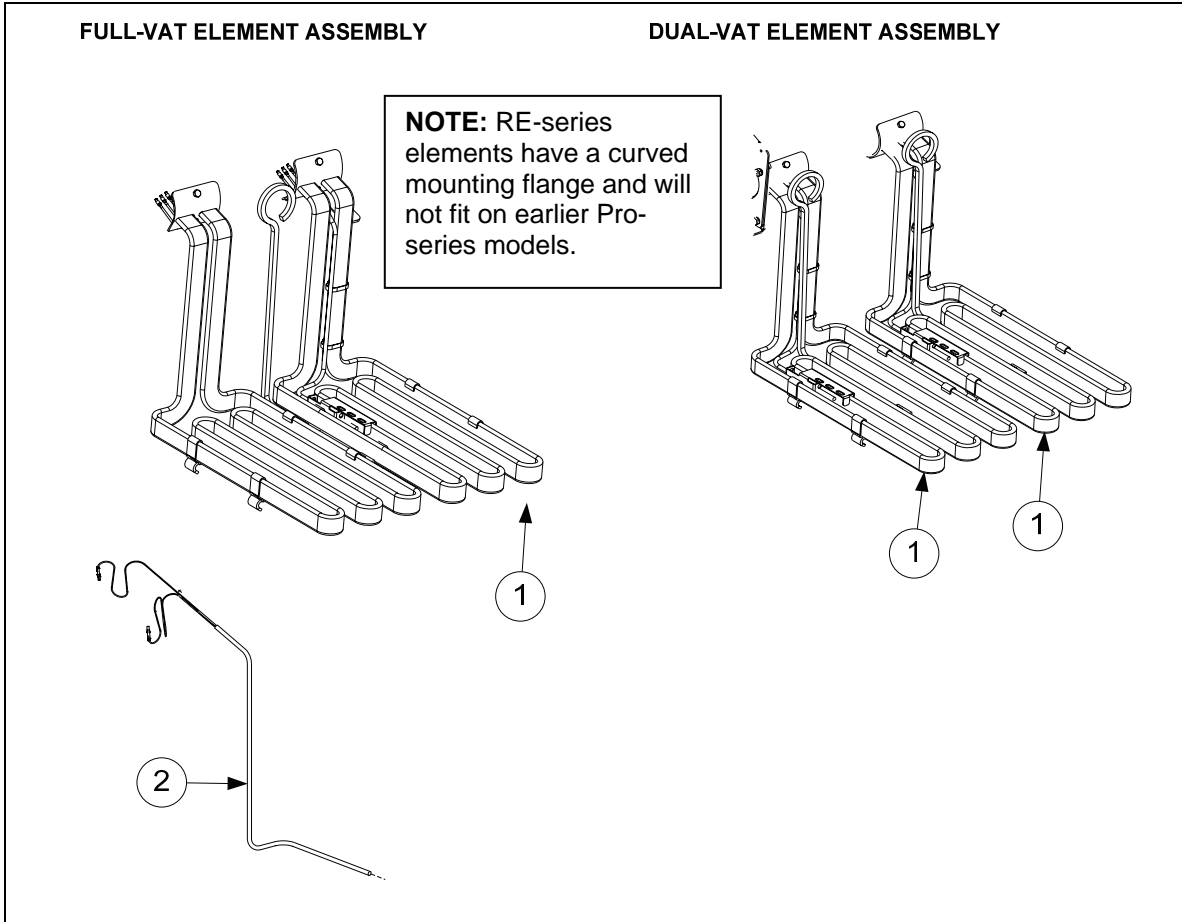
## Heating Element Assemblies and Associated Parts



| Item | Part #   | Component                                   |
|------|----------|---|
| 1    |          | <b>Element</b>                              |
|      | 826-2149 | 208V 7.0 kW                                 |
|      | 826-2150 | 208V 8.5 kW                                 |
|      | 826-2172 | 208V 11.0 kW                                |
|      | 826-2154 | 240V 7.0 kW                                 |
|      | 826-2155 | 240V 8.5 kW                                 |
|      | 826-2166 | 240V 11.0 kW                                |
|      | 826-2159 | 440V 7.0 kW                                 |
|      | 826-2160 | 440V 8.5 kW                                 |
|      | 826-2169 | 440V 11.0 kW                                |
|      | 826-2161 | 480V 7.0 kW                                 |
|      | 826-2162 | 480V 8.5 kW                                 |
|      | 826-2170 | 480V 11.0 kW                                |
| 2    | 826-1526 | Probe, Temperature                          |
| 3    |          | <b>Hi-limit</b>                             |
|      | 826-2454 | Full Vat 425°F (218°C) (Color-coded, black) |
|      | 826-2456 | Dual Vat 435°F (224°C) (Color-coded, red)   |

# Pro Electric/RE

## RE Heating Element Assemblies and Associated Parts



| Item | Part #   | Component  |
|------|----------|--|
| 1    |          | Element Kits – includes gaskets, grommets, tie wraps, screws and nuts. |
|      | 826-2192 | 208V 7.0 kW  |
|      | 826-2197 | 208V 8.5 kW  |
|      | 826-2210 | 208V 11.0 kW   |
|      | 826-2194 | 240V 7.0 kW  |
|      | 826-2207 | 240V 11.0 kW   |
|      | 826-2195 | 440V 7.0 kW  |
|      | 826-2202 | 440V 8.5 kW  |
|      | 826-2211 | 440V 11.0 kW   |
|      | 826-2196 | 480V 7.0 kW  |
|      | 826-2203 | 480V 8.5 kW  |
|      | 826-2209 | 480V 11.0 kW   |
|      |          | <b>Probes</b>  |
| 2    | 826-2212 | Probe, Temperature RE – includes tie wraps and grommet.                |
|      | 807-4324 | Probe, Temperature Fast Ready  |
| *    |          | <b>Hi Limit</b>  |
|      | 826-2454 | Full Vat 425°F (218°C) (Color Coded Black)                             |
|      | 826-2456 | Dual Vat 435°F (224°C) (Color Coded Red)                               |

\* Not Illustrated.

# 2836



The 2836 is a large electric fryer used principally in Wal-Mart kitchens to prepare chicken in large quantities. The original design used a round-bar element and had float switches; later units have flat-bar elements and no float switch.

### Unique Physical Characteristics:

- The unit is big. Wal-Mart cooks 100 pieces of chicken at a time in the 36Kw frypot. The amp draw demands special wiring for the store. The unit is also sold in a two 28Kw frypot configuration.



The earlier 2836 units have round heating elements and a float switch, which is visible in the left corner above.

### Where Used:

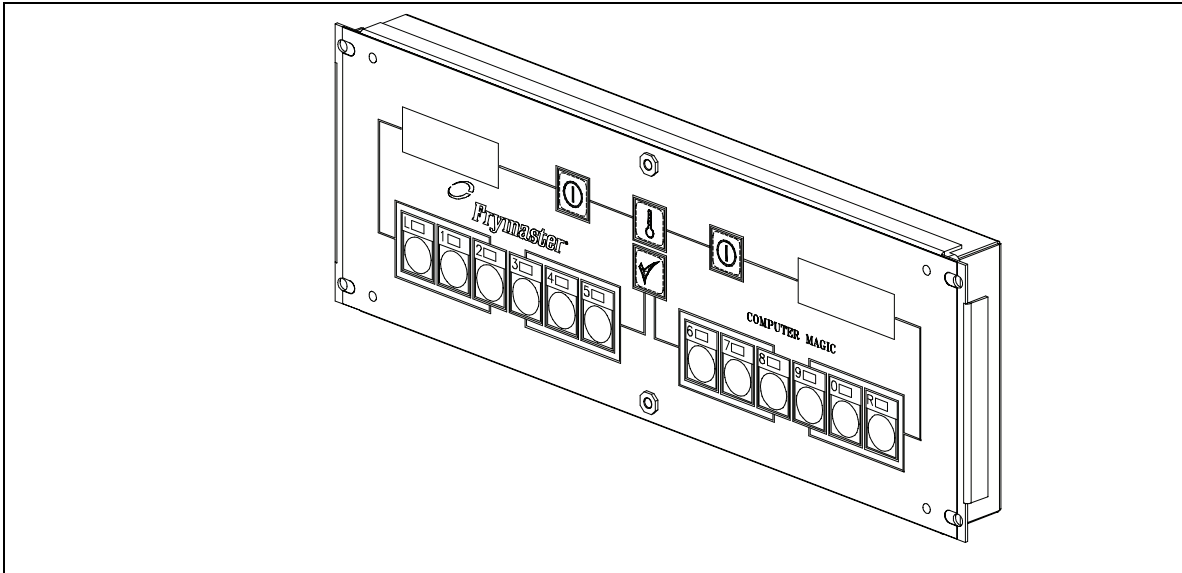
- Wal-Mart, however, it is not marketed exclusively to Wal-Mart.

### Common Model Numbers:

- FP128/236, FP228

# 2836

## Computer and Related Components

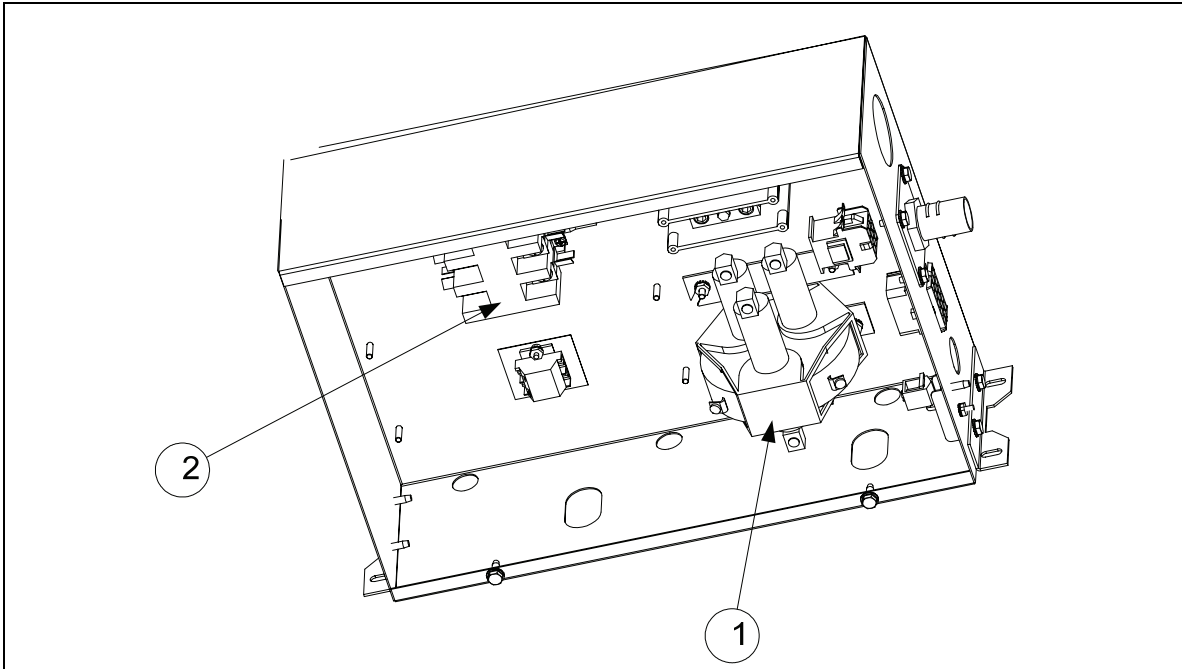


| Item | Part Number | Description                         |
|------|-------------|-------------------------------------|
| 1    | 826-2389    | Computer, Standard CM3.5            |
| *    | 826-2388    | Computer, FP28 SMT FV               |
| *    | 826-2387    | Computer, FP36 SMT FV               |
| *    | 106-7177    | Computer, FP28SV/SPR with Bezel SMT |

\* Not illustrated.

# 2836

## Contactor and Power Cord Box Assembly



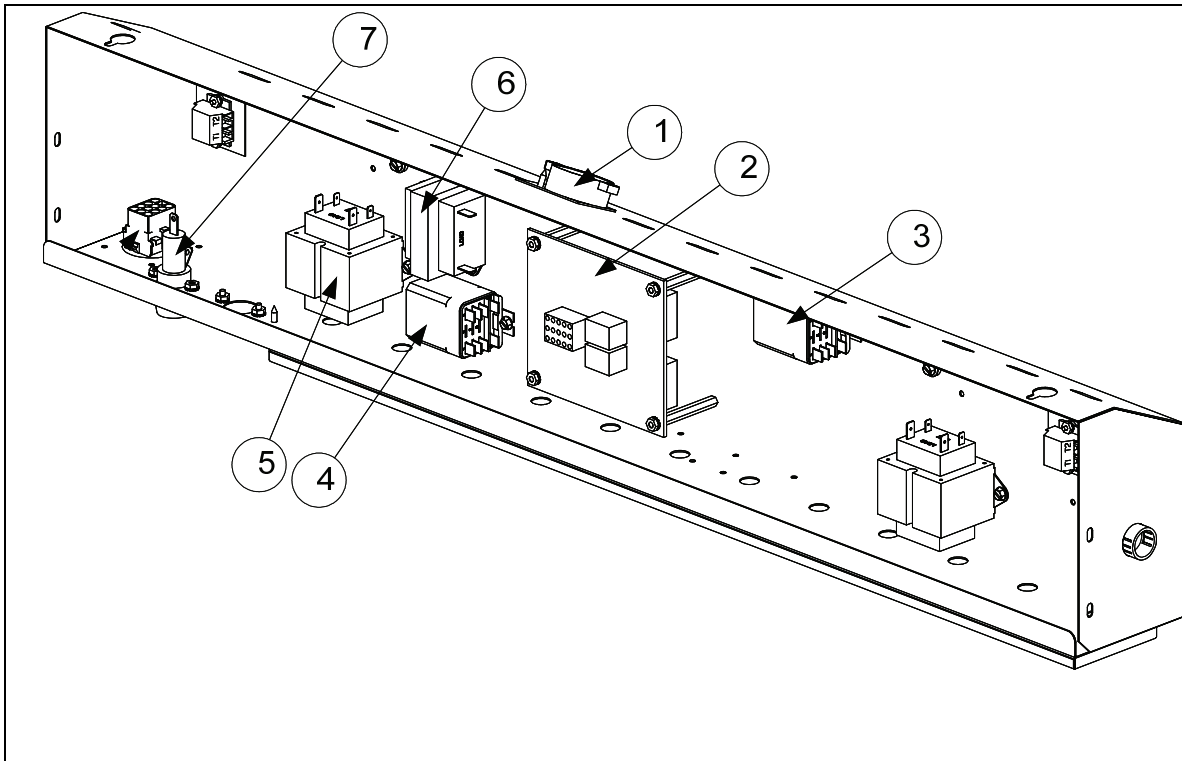
| Item | Part #   | Description                |
|------|----------|----------------------------|
| 1    | 807-0884 | Contactor Mercury 240V 50A |
| 2    | 810-1202 | Contactor, 40 Amp 3 Pole   |
| *    | 807-4017 | Fuse, 50-amp 480V, 300VDC  |

\* Not illustrated.



# 2836

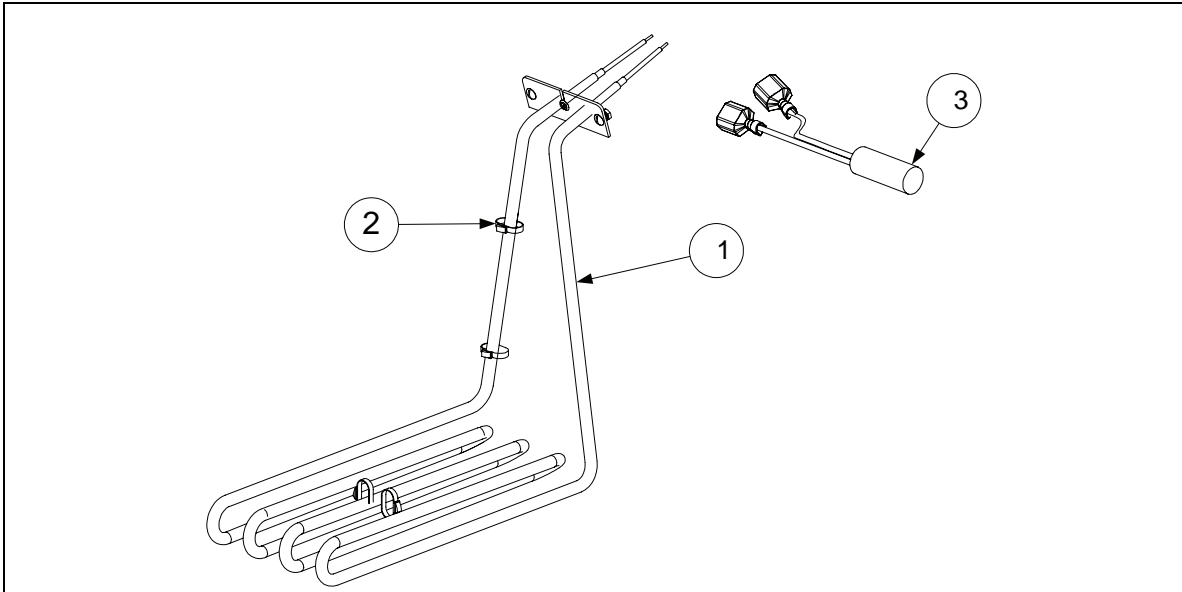
## Component Box Assembly



| Item | Part #   | Description                               |
|------|----------|---|
| 1    | 806-3660 | Sound Device, High Output                 |
| 2    | 826-2256 | PCB Assembly, Interface (FV) Common Elect |
| 3    | 807-0012 | Relay 18 Amp 1/3 Hp 24V Coil (On LT Only) |
| 4    | 807-0670 | Relay, Midtex DPDT 24V                    |
| 5    | 807-0800 | Transformer 120 50/60-24V 50VA            |
| 6    | 807-0855 | Transformer 120 50/60-12V 20VA            |
| 7    | 807-2278 | Fuse, 20 Amp                              |

# 2836

## Elements (round) and related components for float-switch model

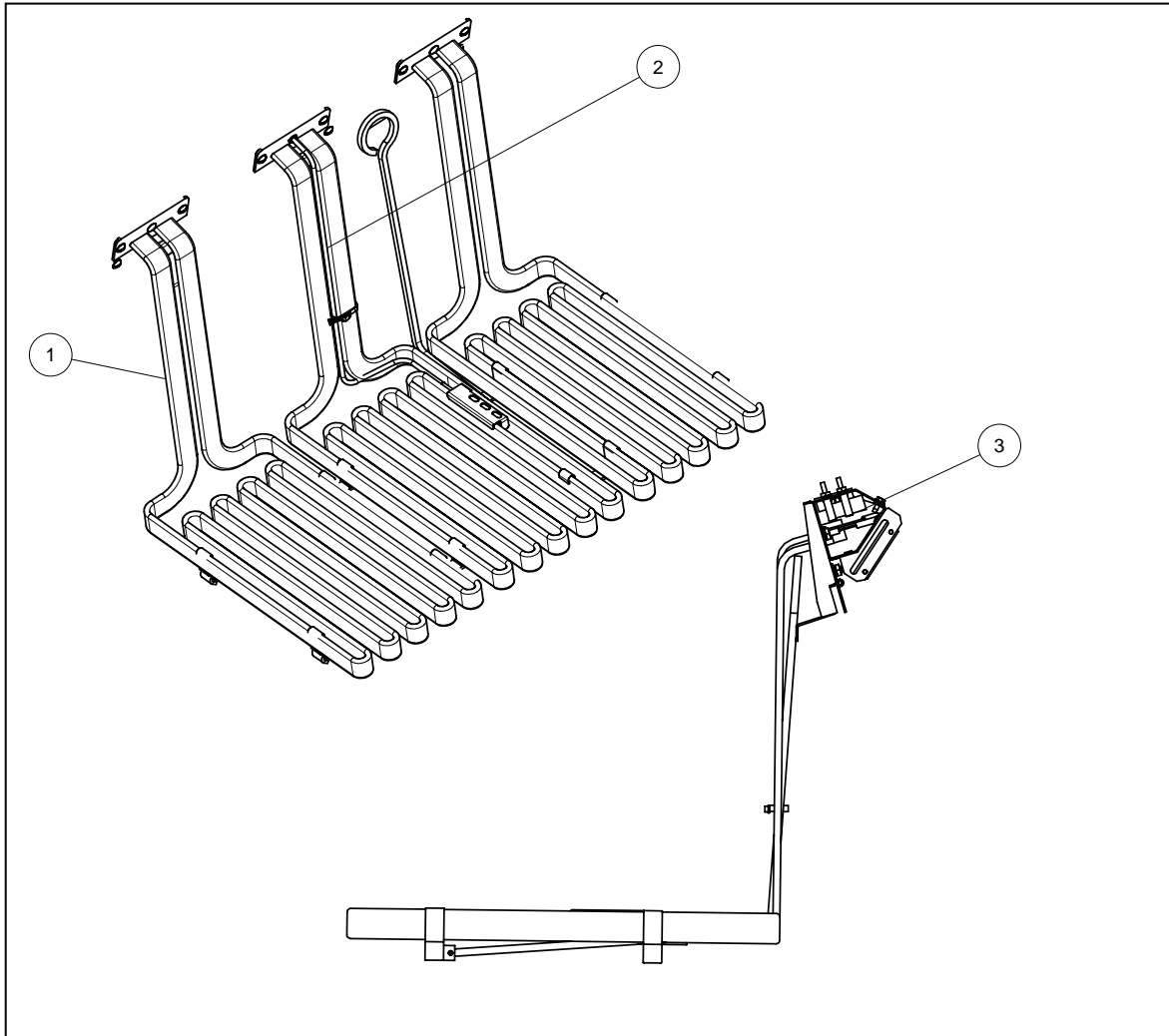


| Item | Part #     | Description   |
|------|------------|---|
| 1    | 807-4009   | Element, FP28/36S 480V 9.533 kW   |
| *    | 807-4011   | Element, FP28/36S 11.9 kW   |
| 2    | 809-0567   | Tie Wrap, Metal   |
| 3    | 806-6849SP | Switch, Tilt Safety   |
| *    | 826-2104   | Probe, 28 kW Temperature  |
| *    | 826-2105   | Probe, 36kW, Temperature  |
| *    | KIT6078SP  | Float Switch Kit FP28 (Use <b>KIT6079SP</b> for FP36) - Both kits include covers. |

\* Not illustrated.

# 2836

## Elements (flat) and related components for non float-switch model



| Item | Part #   | Description                  |
|------|----------|------------------------------|
| 1    | 807-4038 | Element, FP28, 480V          |
|      | 807-4051 | Element, FP36, 480V          |
| 2    | 826-2106 | Probe kit, FP28, temperature |
|      | 826-2107 | Probe kit, FP36, temperature |
| 3    | 806-6849 | Tilt switch assembly         |

# 1721/18UE



The 18UE and the 1721 are Dean and Frymaster versions of very similar electric fryers. Many components in the running gear are the same.

**Unique Physical Characteristics:**

- Large-capacity chicken fryer.

**Where Used:**

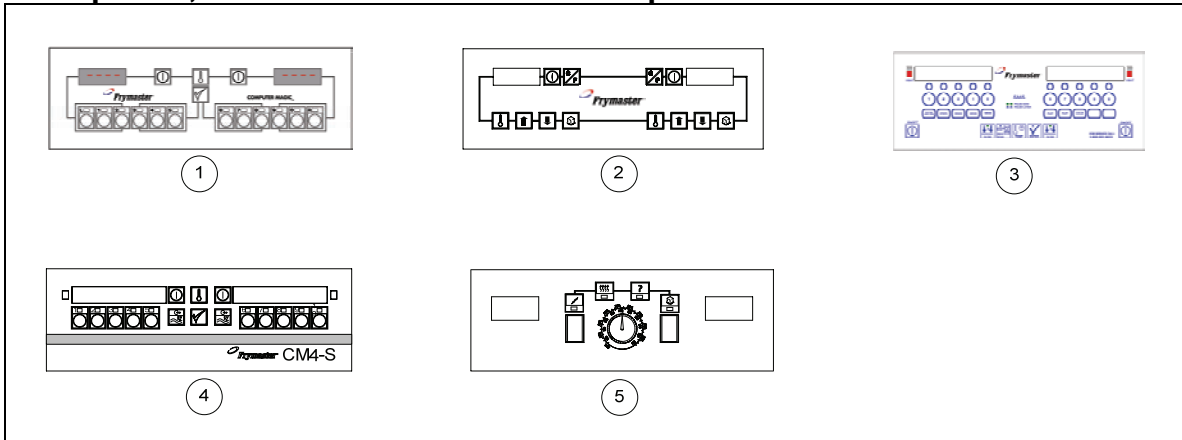
- The Frymaster 1721 is used in Church's and Popeye's.

**Common Model Numbers:**

- EH1724, SCF318UE, CF118UE

# 1721/18UE

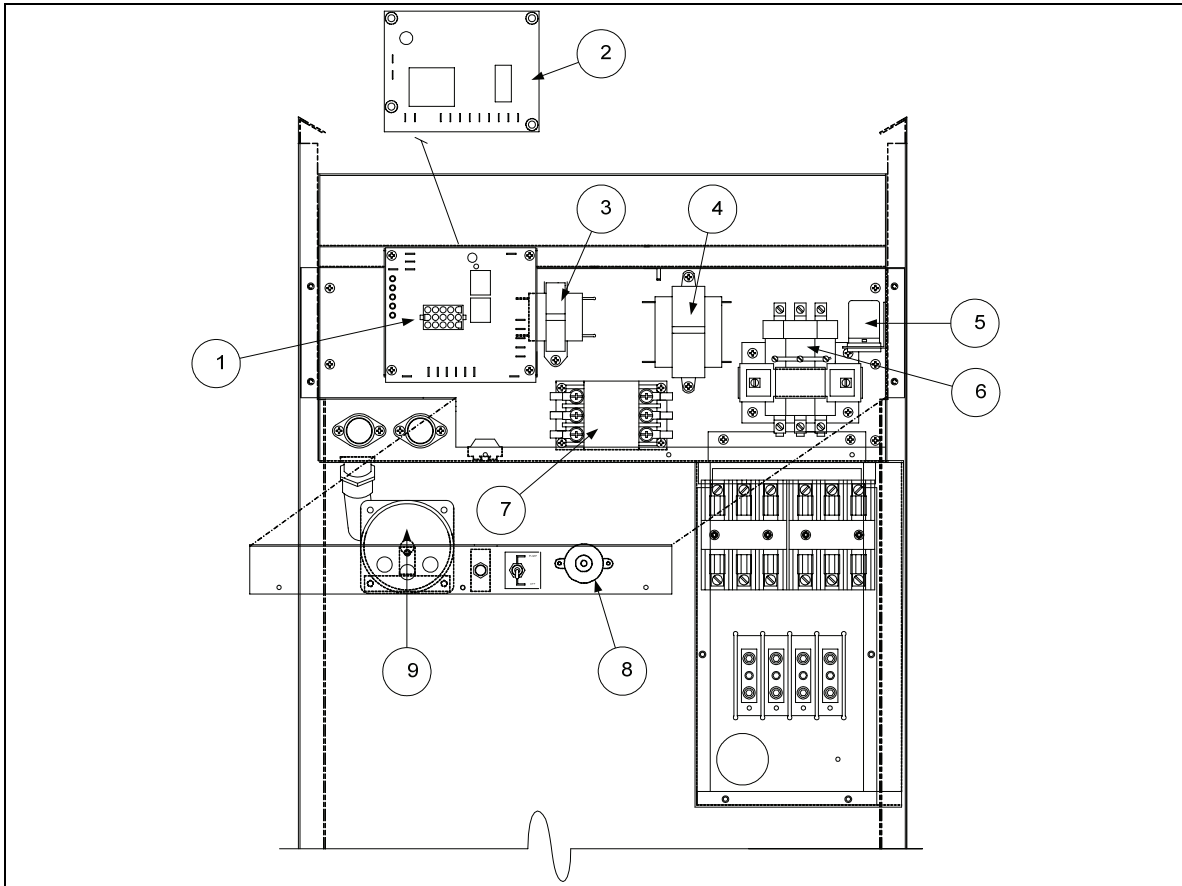
## Computers, Controllers and Related Components



| Item | Part #   | Description                                    |
|------|----------|--|
| 1    | 826-2310 | Computer, CM-III Full-Vat                      |
| 2    | 826-2303 | Controller, Digital- Full-Vat                  |
| 3    | 106-0063 | Computer, KFC-1 Electric (Non-CE)              |
| 4    | 106-3028 | Computer, CM4-S (Segmented Programming)        |
| 5    | 806-7422 | Controller, Analog- Solid State (3 On, 12 Off) |

# 1721/18UE

## Electronics

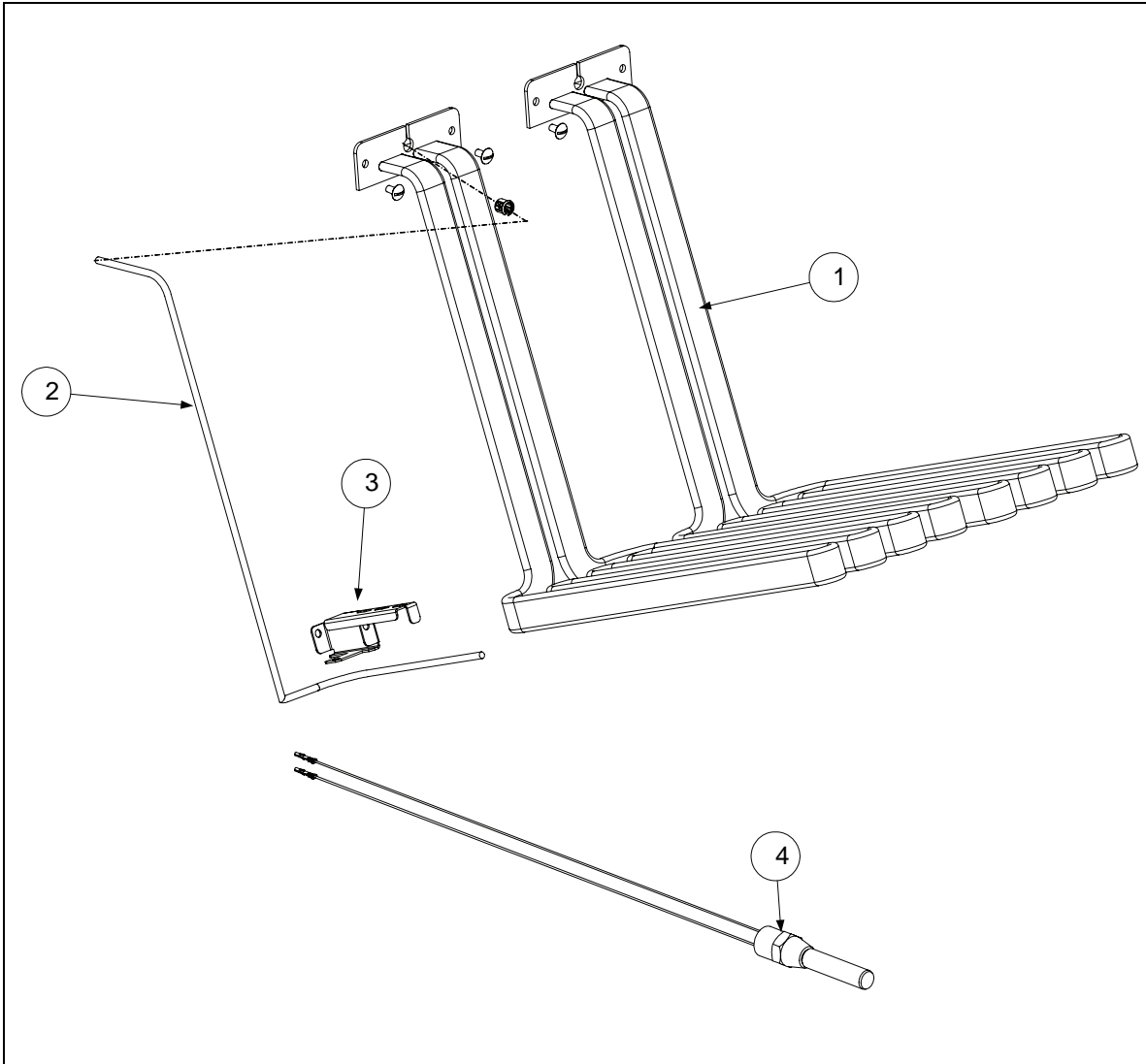


| Item | Part Number | Description  |
|------|-------------|--|
| 1    | 826-2256    | Interface Board- (All Except Electronic Thermostat Controller) |
| 2    | 826-2031    | Thermatron Board- (Electronic Thermostat Controllers Only)     |
| 3    | 807-0855    | Transformer, 120V, 50/60 Hz -12V 20VA (480V Units)             |
| *    | 807-0979    | Transformer, 208-240V, 50/60Hz -12V 20VA                       |
| 4    | 807-0800    | Transformer, 120V 50/60 Hz -24V 50VA (480V Units)              |
| *    | 807-0680    | Transformer, 208-240V, 50/60Hz -24V 20VA                       |
| 5    | 807-3611    | Relay, 24VAC   |
| 6    | 807-1071    | Contactor, Mercury- 240VAC 30-Amp (17 kW Units)                |
| *    | 807-0884    | Contactor, Mercury- 240VAC 50-Amp (21 kW Units)                |
| 7    | 810-1202    | Contactor, Latching- 40-Amp, 3-Pole                            |
| *    | 807-2278    | Fuse, 20-Amp   |
| 8    | 806-3660    | Sound Device- <u>All Except KFC18E</u>                         |
| 9    | 806-5974SP  | Speaker, Sound- <u>KFC18E Only</u>                             |
| *    | 807-3577    | Breaker, Circuit 7 amp (120V Filter Circuit)                   |
| *    | 807-2104    | Microswitch  |
| *    | 807-3932    | Relay, 12VDC   |

\* Not illustrated.

# 1721/18UE

## Probes, High-Limits, Elements and Related Components

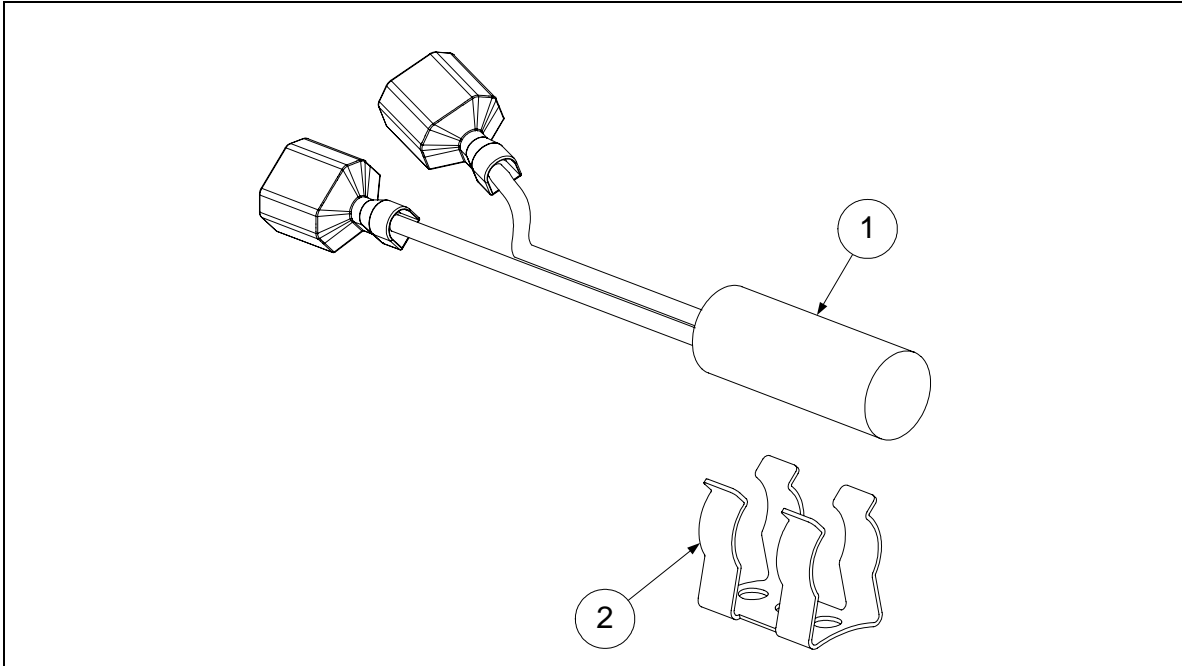


| Item | Part #   | Description                                       |
|------|----------|---|
| 1    | 807-3652 | Element- 208V 8.5 kW                              |
|      | 807-3675 | Element- 480V 10.25 kW                            |
|      | 807-3655 | Element- 240V 8.5 kW                              |
|      | 807-3657 | Element- 208V 9.0 kW                              |
|      | 807-3658 | Element- 240V 9.0 kW                              |
|      | 807-2557 | Element- 208V 10.25 kW                            |
|      | 807-3655 | Element- 240V 8.5 kW ( <b>USE FOR 220V 7 kW</b> ) |
|      | 807-2637 | Element- 240V 10.25 kW                            |
|      | 2        | 826-1791  |
| *    | 807-3653 | Probe, Temperature- <u>Thermatron Only</u>        |
| 3    | 910-5022 | Bracket, Probe Guard                              |
| 4    | 826-2456 | High-Limit Thermostat- 435°F                      |

\* Not illustrated.

# 1721/18UE

## Tilt Safety Switch Components



| Item | Part #     | Description  |
|------|------------|--|
| 1    | 806-6849SP | Switch, Tilt Safety                                |
| *    | 809-0874   | Ty Wrap, Plastic- 4" (Operating Temperature 265°F) |
| 2    | 807-1570   | Clip, Tilt Switch                                  |

\* Not illustrated.





# Pumps/Motors



Frymaster fryers use Viking pumps; Dean units have Haight pumps. The 4 GPM pump used in Frymaster fryers will fit in most units. The same can be said for Dean pumps, although 4GPM, 5GPM, and an 8 GPM pump are available.

## What to Watch For:

- Pumps are easily clogged. Don't replace a pump/motor assembly without cleaning the pump.

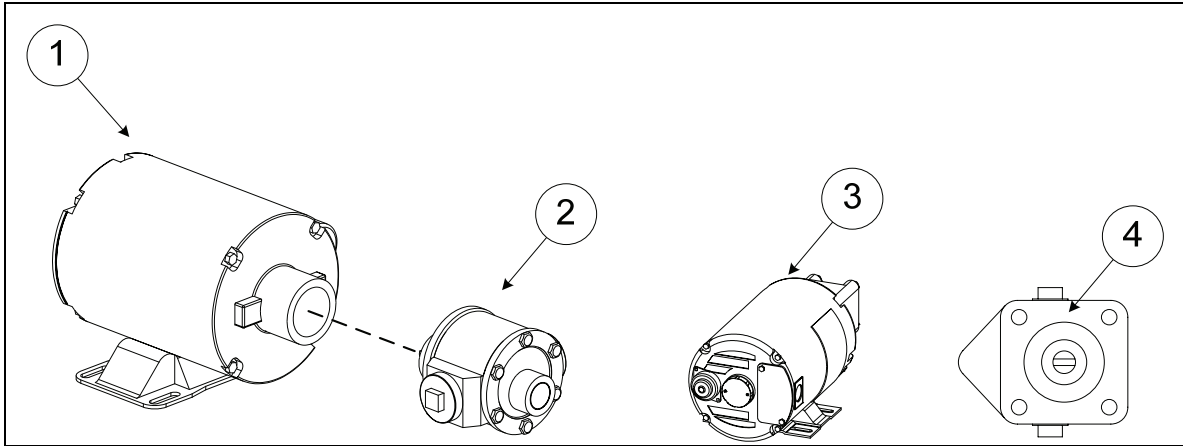
## How to Order:

- Frymaster doesn't sell pump/motor assemblies, essentially to deter needless replacement of both components. Pumps and motors are listed separately, each with a gasket.



It doesn't take much debris to clog a pump. The one above was believed failed and replaced. All it needed was cleaning. Warranty claims for functioning pumps are rejected.

# Pumps/Motors



| Item # | Part #   | Component   |
|--------|----------|---|
| 1      | 810-2100 | Motor, 120-230 1/3 HP used in 24G, Decathlon                  |
| 2      | 810-2098 | Pump, 8GPM, used in 24G, Decathlon                            |
| *      | 810-2252 | Pump, 5GPM, used in Decathlon                                 |
| 3      | 826-1712 | 100-120V motor with gasket, used in 45-series, 52/55, Pro/RE  |
| *      | 826-1756 | 208V with gasket, used in Pro/RE                              |
| 4      | 826-1264 | Pump, 4 GPM, used in 45, 52/55, Pro/RE                        |
| *      | 816-0093 | Gasket, used in Frymaster filters/pumps, part of Items 3 & 4  |
| *      | 810-3071 | Pump, 8 GPM, used in Dean Common Cabinet                      |
| *      | 826-1392 | O-Rings, .739" I.D. (pkg. of 5) [816-0596]                    |
| *      | 826-1051 | O-Ring Kit, for FMII or FPII Filter Systems                   |
| *      | 816-0597 | O-Rings, 1.36" I.D., for Footprint III Filter Pan Check Valve |

\* Not illustrated.

# GSMS



The GSMS is a gas pasta cooker.

## **Unique Physical Characteristics:**

The GSMS has a flat-bottom tank with sealed burners attached.

## **Where Used:**

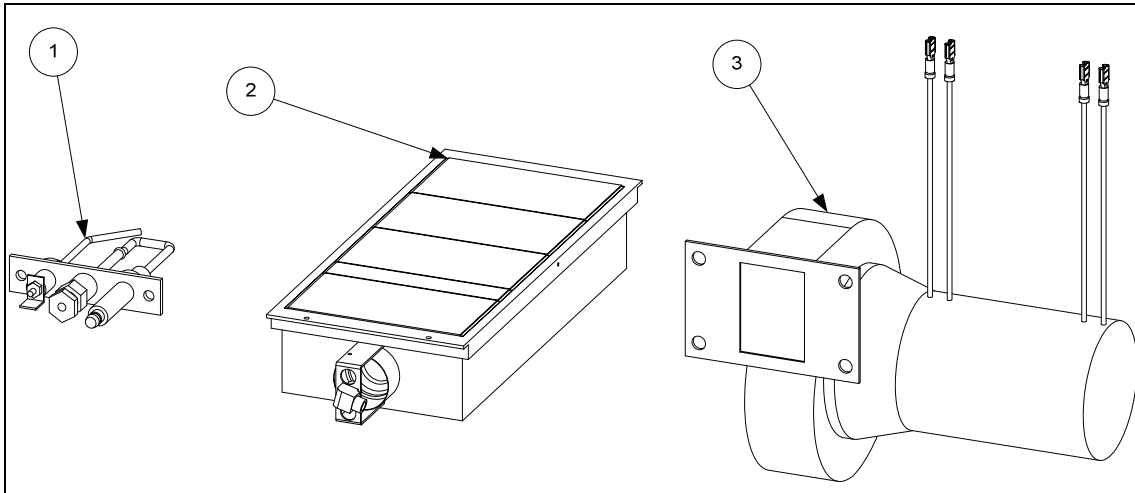
Carrabba's and other pasta restaurants

## **Common Model Numbers:**

GSMS

# GSMS

## Combustion System Components

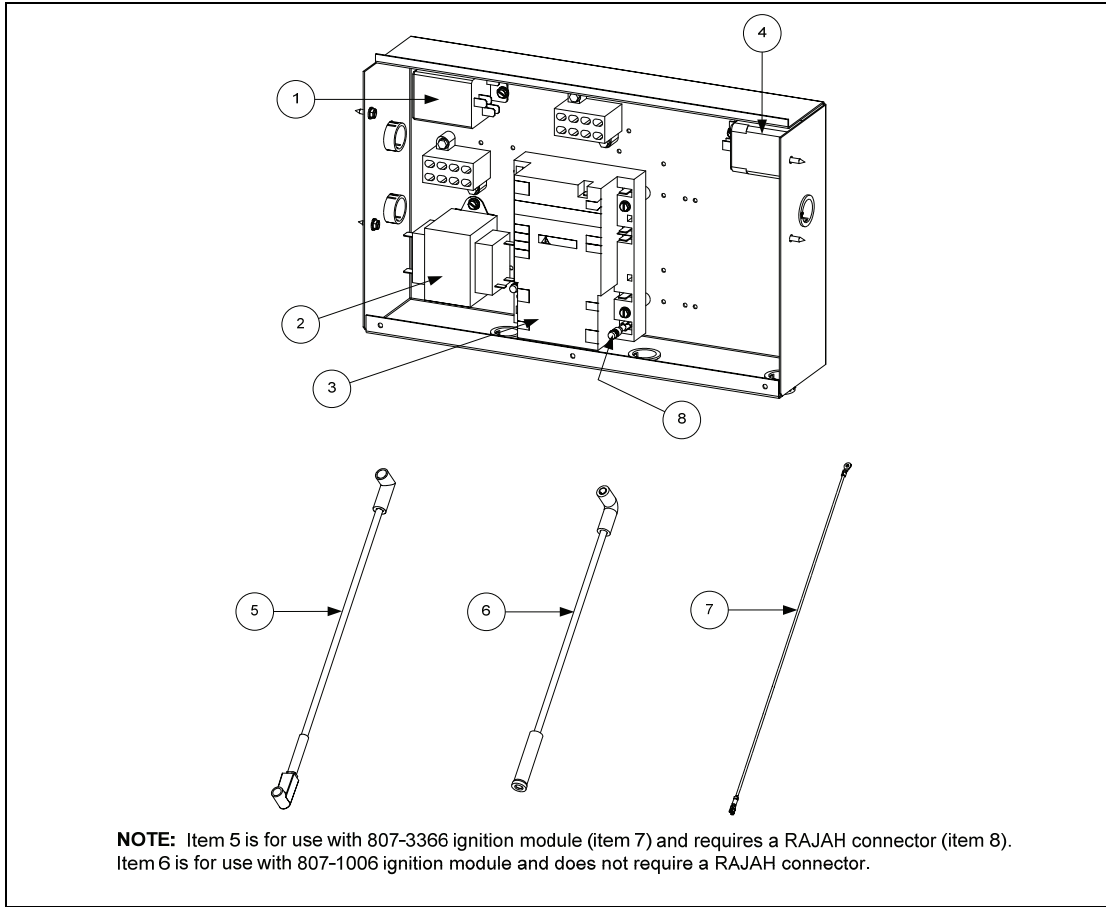


| ITEM | PART #   | COMPONENT                                 |
|------|----------|---|
| 1    |          | Igniter                                   |
|      | 826-1714 | Natural Gas                               |
|      | 826-1715 | Propane Gas                               |
| 2    |          | Burner Assembly                           |
|      | 810-1382 | Natural or Propane Gas Burner w/o Orifice |
| *    | 812-0357 | Burner Insulation                         |
| 3    |          | Motor, Blower                             |
|      | 807-1564 | 120VAC/60 Hz                              |

\* Not illustrated.

# GSMS

## Control Box and Related Components

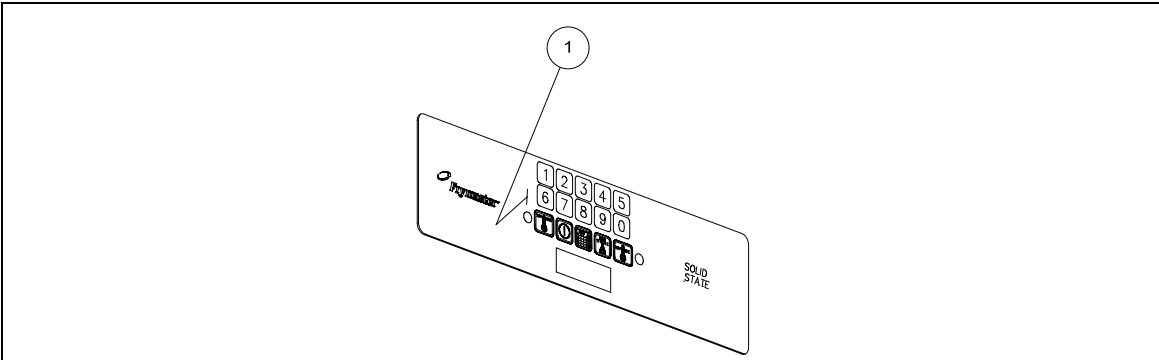


| ITEM | PART #     | COMPONENT   |
|------|------------|---|
| 1    | 807-1396   | Relay, 24VDC SPDT (Basket Lift Relay – GSMS and GBC units only)   |
| 2    |            | Transformer   |
|      | 807-0800   | 120VAC/24VAC, 50/60 Hz, 50VA                                      |
|      | 807-0680   | 208-240VAC/24VAC, 50/60 Hz, 43VA                                  |
| 3    | 807-3366   | Module, Honeywell Dual-Spark FV Ignition (See <b>NOTE</b> below.) |
| 4    | 807-0670   | Relay, 24V DPDT (Heat Relay – all units)                          |
| 5    | 106-0676SP | Cable, Ignition (used with Item 3 – also requires Item 8)         |
| 6    | 807-1709   | Cable, Ignition (used with 807-1006 Ignition Modules)             |
| 7    | 806-5316SP | Wire Assembly, 20-inch High Temperature (Flame Sensor Wire)       |
| 8    | 807-3484   | Connector, RAJAH (two required for each 807-3366 Ignition Module) |

**NOTE:** Control box assemblies on units manufactured before October 2000 were built with two single-spark ignition modules (P/N 807-1006). If an 807-1006 module fails, the control box may be retrofitted with one dual-spark ignition module (P/N 807-3366) and two RAJAH connectors (P/N 807-3484). If this option is chosen, the earlier style ignition cables (P/N 807-1709) must also be replaced with the new ignition cables (P/N 106-0676SP).

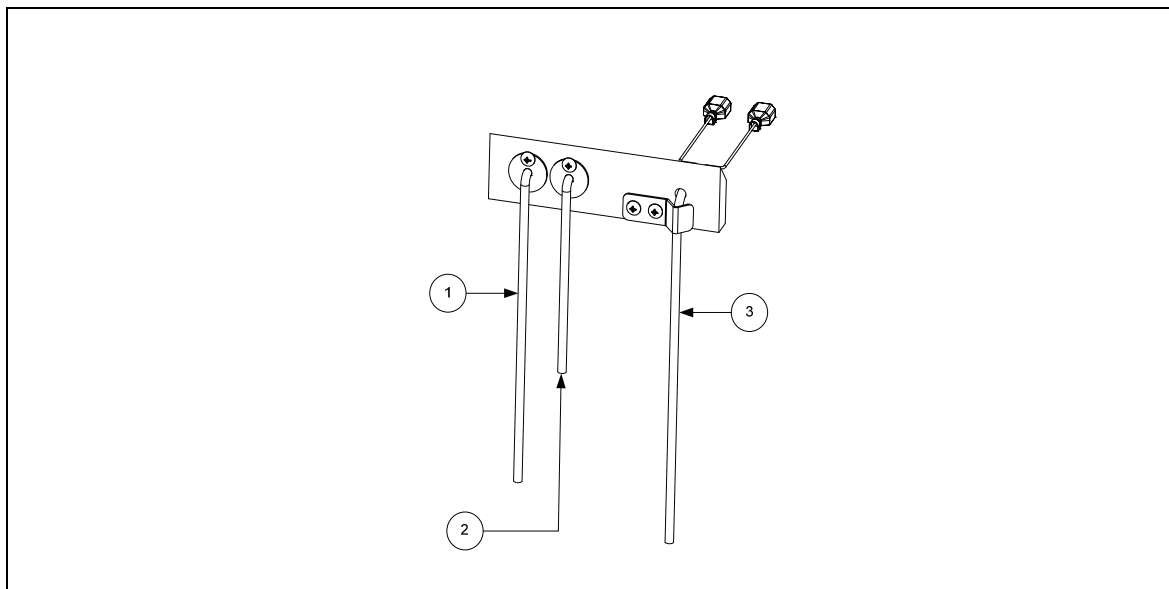
# GSMS

## Controllers and Control Panel Components



| ITEM | PART #   | COMPONENT                  |
|------|----------|----------------------------|
| 1    |          | Controller, SMS III - GSMS |
|      | 106-0376 | Full Featured              |
|      | 106-0379 | w/o Autoskim               |
|      | 106-0380 | w/o Autofill or Autoskim   |
|      |          | Controller, SMS III - GSMS |
|      | 106-0376 | Full Featured              |
|      | 106-0379 | w/o Autoskim               |
|      | 106-0380 | w/o Autofill or Autoskim   |

## Water Sensors

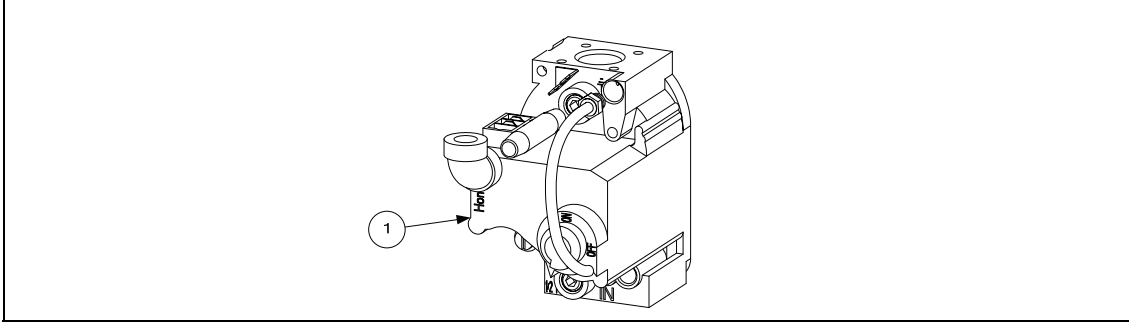


| ITEM | PART #   | COMPONENT                   |
|------|----------|-----------------------------|
| 1    | 823-1920 | Sensor, Low Water Level     |
| 2    | 823-1921 | Sensor, Normal Water Level  |
| 3    | 806-4764 | Probe Assembly, Temperature |
| *    | 809-0193 | Washer, 1/4" Nylon, flat    |

\* Not illustrated.

# GSMS

## Gas Valves



| ITEM | PART #   | COMPONENT                     |
|------|----------|-------------------------------|
| 1    |          | Valve, Honeywell Gas (Non-CE) |
|      | 826-1122 | Natural or Manufactured Gas   |
|      | 826-1123 | Propane Gas                   |





# 8SMS



The 8SMS is an 8Kw electric pasta cooker.

**Unique Physical Characteristics:**

Has basket lifts, rinse tank and a faucet.

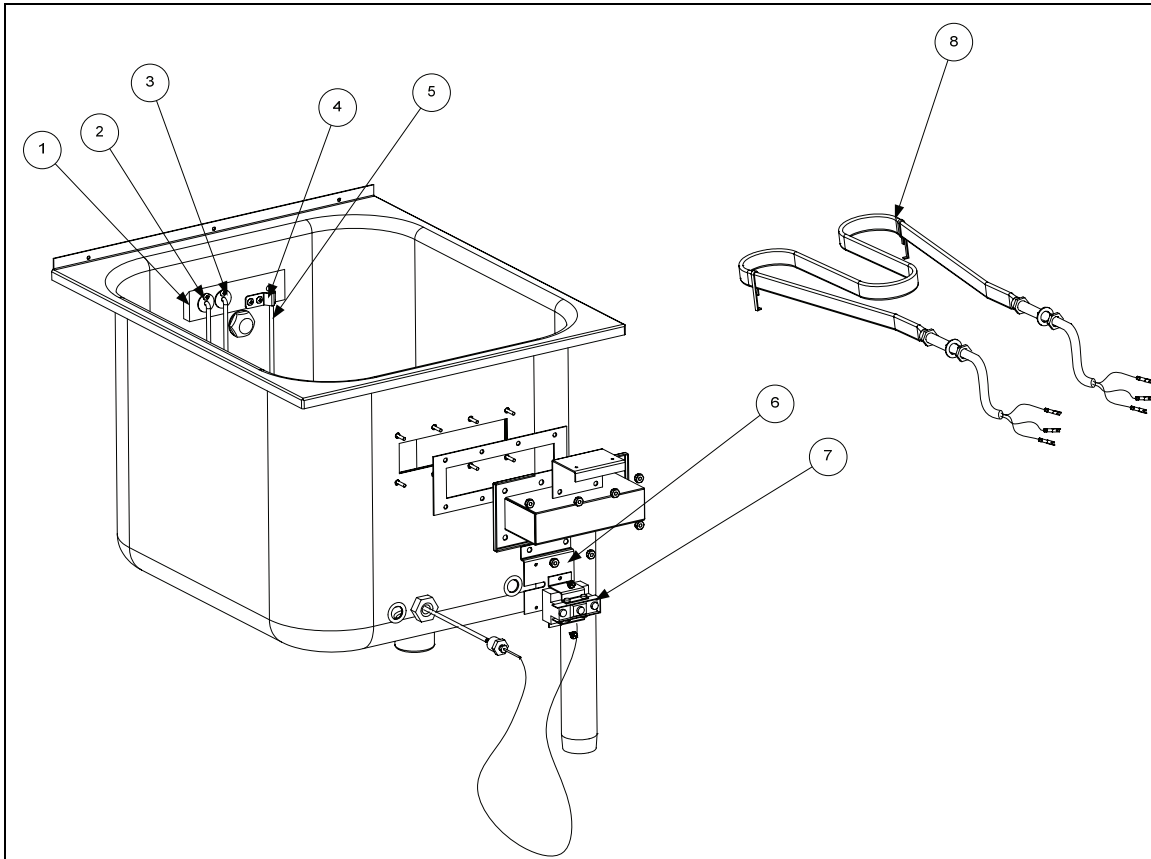
**Where Used:**

Fazoli's and other pasta restaurants

**Common Model Numbers:**

8SMS

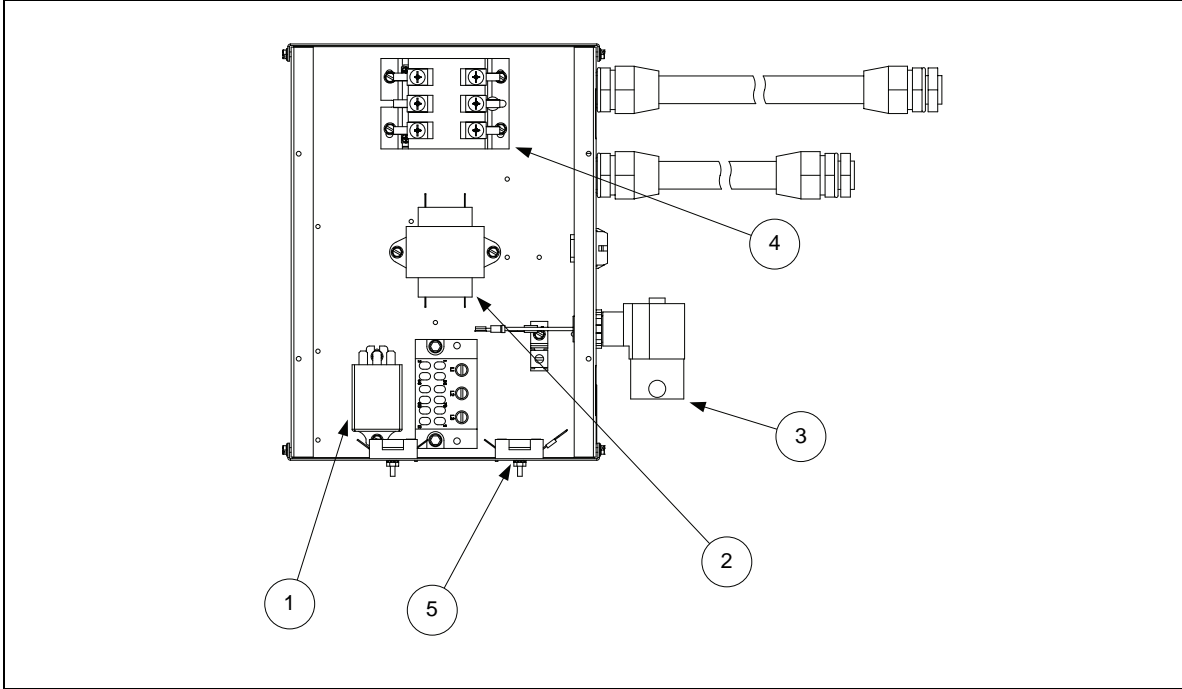
# 8SMS



| ITEM | PART #   | COMPONENT   |
|------|----------|---|
| 1    | 810-1697 | Block, Probe  |
| *    | 826-1081 | Kit, Probe Block (old style with pins and cover)                        |
| *    | 823-2791 | Cover, Probe Block  |
| *    | 823-1942 | Cover, Probe (old style with holes for pins)                            |
| 2    | 823-1920 | Sensor, Lower Water Level (approximately 7 inches long)                 |
| 3    | 823-1921 | Sensor, Upper Water Level (approximately 4¼ inches long)                |
| 4    | 910-1804 | Bracket, Temperature Probe Retaining                                    |
| 5    | 806-4764 | Temperature Probe (with connectors)                                     |
| 6    | 900-5675 | Bracket, High-Limit Thermostat Mounting                                 |
| 7    | 826-1601 | Thermostat, High-Limit (includes high-limit, gasket, and tie wrap)      |
| *    | 809-0193 | Washer, ¼" Nylon, Flat  |
| 8    |          | Element, 8kW, 1- or 3-Ø (includes mounting washer and nut and standoff) |
|      | 807-1345 | 208VAC  |
|      | 807-1347 | 240VAC  |

\* Not illustrated.

# 8SMS



| ITEM | PART #    | COMPONENT                             |
|------|-----------|---------------------------------------|
| 1    | 807-1396  | Relay, 24VDC                          |
| 2    | 807-0680  | Transformer, 208/240VAC – 24VAC       |
| 3    | 806-4770  | Valve Assembly, Solenoid              |
| 4    | 810-1202  | Contactor, 40 Amp 3 Pole              |
| *    | 806-4702  | Cable, 8SMS Controller                |
| *    | WIR0013SP | Wire Assembly, SMSII 208/240V         |
| 5    | 807-1308  | Fuse Holder                           |
| *    | 807-1555  | Fuse                                  |
| *    |           | Controller, 8SMS (Use smaller bezels) |
|      | 106-0371  | AutoFill and AutoSkim                 |
|      | 106-0373  | AutoFill but without AutoSkim         |
|      | 106-0374  | Without Autofill or Autoskim          |

\* Not illustrated.



# UHC-P



The UHC-P is the second generation of the holding cabinet, which, until recently, was made exclusively for McDonald's. This cabinet is programmed with a Palm Pilot.

## Unique Physical Characteristics:

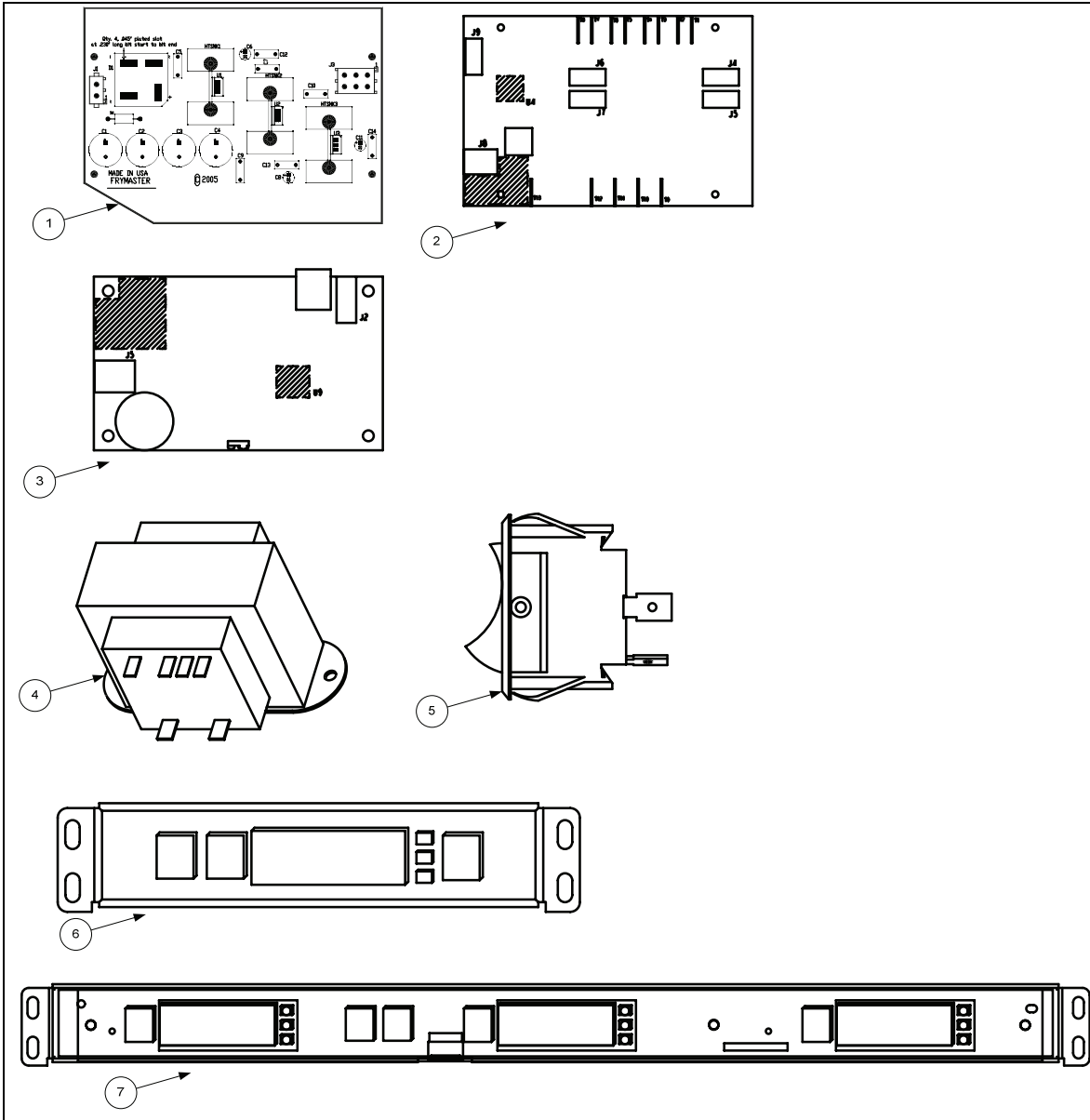
- Dark IR port on top right of the cabinet. Programming is beamed to the cabinet through this port from a Palm Pilot. The unit is offered in four-slot (shown above), two-slot and narrow configurations. There is no parts interchangeability between the UHC-P and the earlier UCH.

## Where Used:

- McDonald's. A generic version called the Holdmaster is just being brought to market. The bezels and heater plates are different on the generic model.

**Common Model Numbers:** UHC-P4, UHC-P2 and UHC-P Narrow

# UHC-P



| ITEM | PART #   | COMPONENT                                    |
|------|----------|--|
| 1    | 807-4204 | Distribution board                           |
| 2    | 106-7956 | Power supply board                           |
| 3    | 807-4203 | Communication board                          |
| 4    | 807-4024 | Transformer                                  |
| 5    | 807-4036 | Switch                                       |
| 6    | 807-4202 | Display, narrow (equipped with ribbon cable) |
| 7    | 807-4201 | Display, full (equipped with ribbon cable)   |
| *    | 807-3918 | Communication cable                          |
| *    | 826-2034 | Palm Zire 22 with UHC-P software             |
| *    | 807-2819 | Fuse, 20 amp                                 |
| *    | 819-6048 | UHC-P software CD                            |

\* Not illustrated.

# UHC



The UHC is the first generation holding cabinet. This unit was built exclusively for McDonald's.

## **Unique Physical Characteristics:**

- This unit is programmed with buttons on the bezel. There is no IR port. There is no part interchangeability between the UHC and the newer UHC-P.

## **Where Used:**

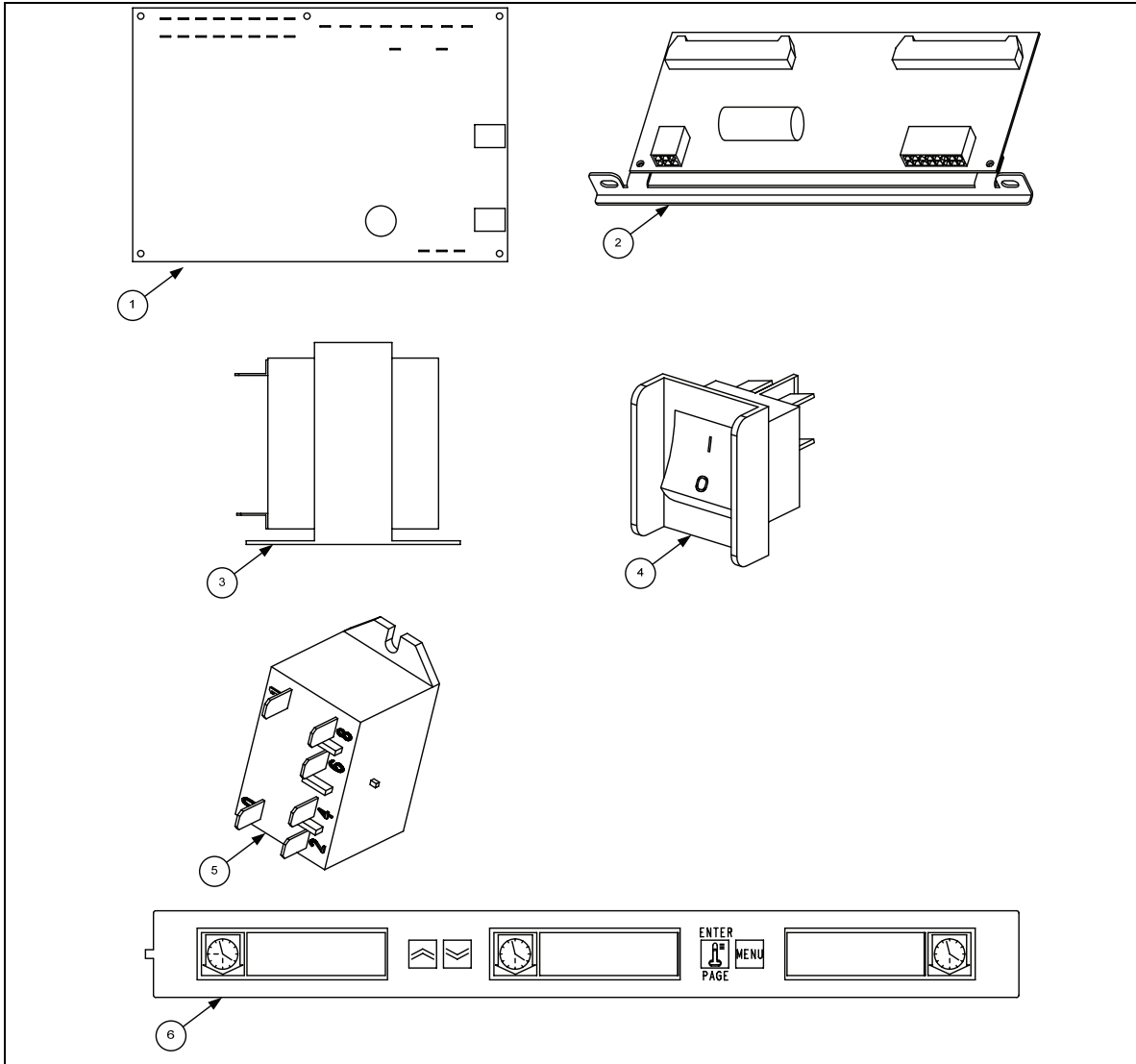
- McDonald's only

## **Common Model Number:**

- UHC



# UHC



| ITEM | PART #   | COMPONENT   |
|------|----------|---|
| 1    | 807-2443 | UHC Motherboard   |
| 2    | 807-2444 | UHC Driver board  |
| 3    | 807-2460 | Transformer   |
| 4    | 807-3308 | Switch  |
| 5    | 807-3490 | Relay, power  |
| *    | 826-1718 | Switch Kit with relay ( includes switch, relay, bracket and wiring) |
| 6    | 807-3309 | Front Display Assembly  |
| *    | 807-3310 | Rear display Assembly   |
| *    | 807-3311 | Front Membrane Switch   |
| *    | 807-3312 | Rear Membrane Switch  |
| *    | 807-2448 | CN1 and CN2 Harnesses   |
| *    | 807-2665 | Blower  |
| *    | 807-2770 | 1.5 amp fuse  |
| *    | 807-2819 | 20 amp fuse   |

\* Not illustrated.

# Sinbad



The Sinbad is a single-basket fry dispenser. It is used almost exclusively by Burger King.

## **Unique Physical Characteristics:**

- The Sinbad uses a load cell to measure fries awaiting dispensing in the hopper.

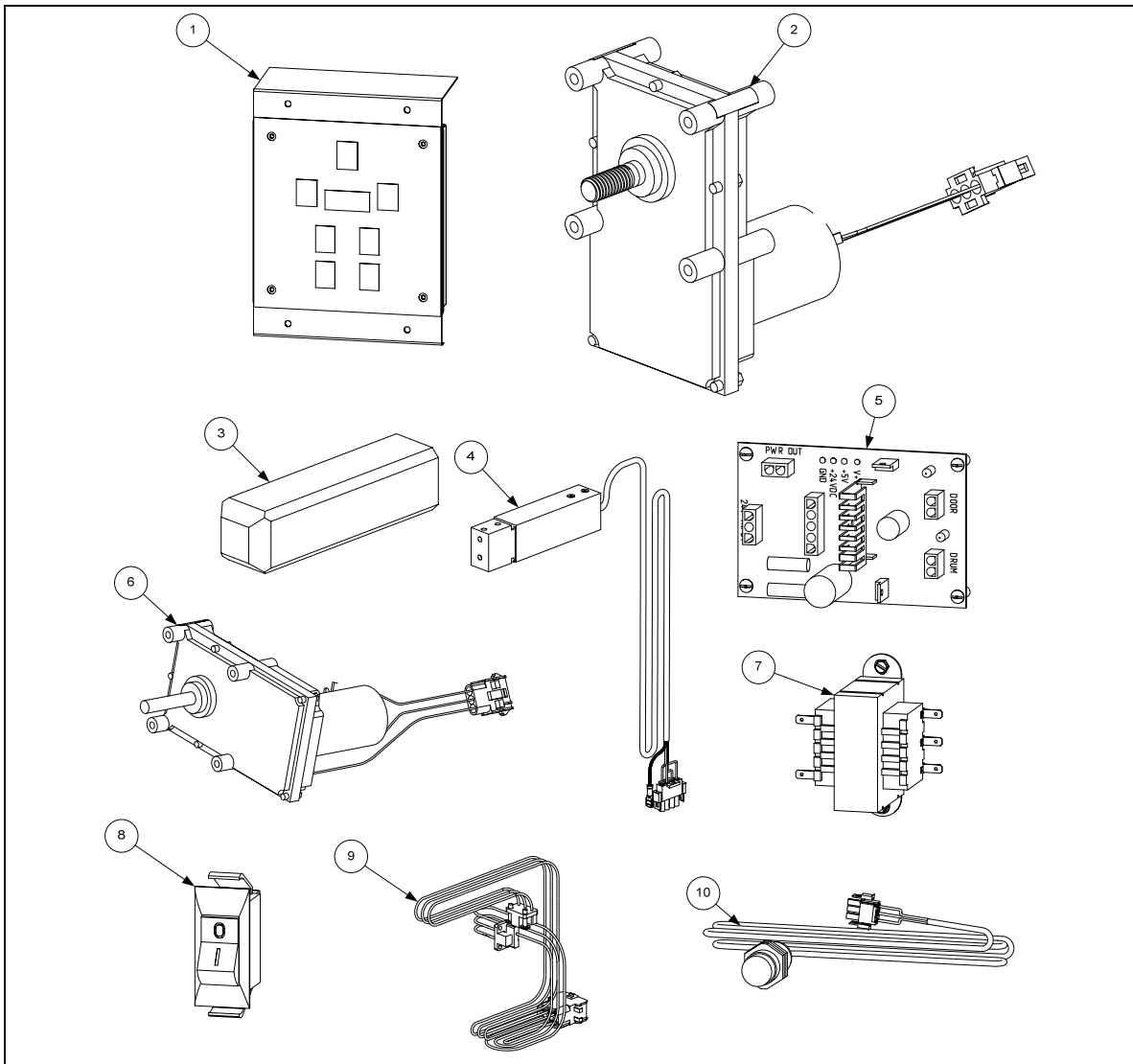
## **Where Used:**

- Burger King and a few in McDonald's.

## **Common Model Number**

- Sinbad

# Sinbad



| ITEM | PART #     | COMPONENT   |
|------|------------|---|
| 1    | 106-1277   | Sinbad II Controller (Burger King)                  |
| *    | 826-1571   | Sinbad I Controller, (Burger King)                  |
| *    | 106-1480   | Sinbad Controller, (McDonald's)                     |
| 2    | 807-3436   | Drum Motor  |
| 3    | 810-1571   | Drum Rotator Arm                                    |
| 4    | 806-9258   | Load Cell   |
| 5    | 106-6715   | Motor Interface Board                               |
| 6    | 807-3004   | Dispense Motor                                      |
| 7    | 807-2943   | Transformer   |
| 8    | 807-2734   | ON/OFF Switch, Lighted, Green                       |
| 9    | 806-8969SP | Position Sensor Assembly, Hall Effect               |
| 10   | 106-0503SP | Proximity Sensor Assembly                           |
| *    | 816-0568   | Sight Glass, Sinbad II ( Tapered, wider at top)     |
| *    | 816-0324   | Sight Glass, Sinbad I (Parallel sides, not tapered) |

\* Not illustrated.

# HLZ



The HLZ, or Heated Landing Zone, is a warming station sold exclusively to McDonald's.

## Unique Physical Characteristics:

- Supplies heat with a plate and heated air.

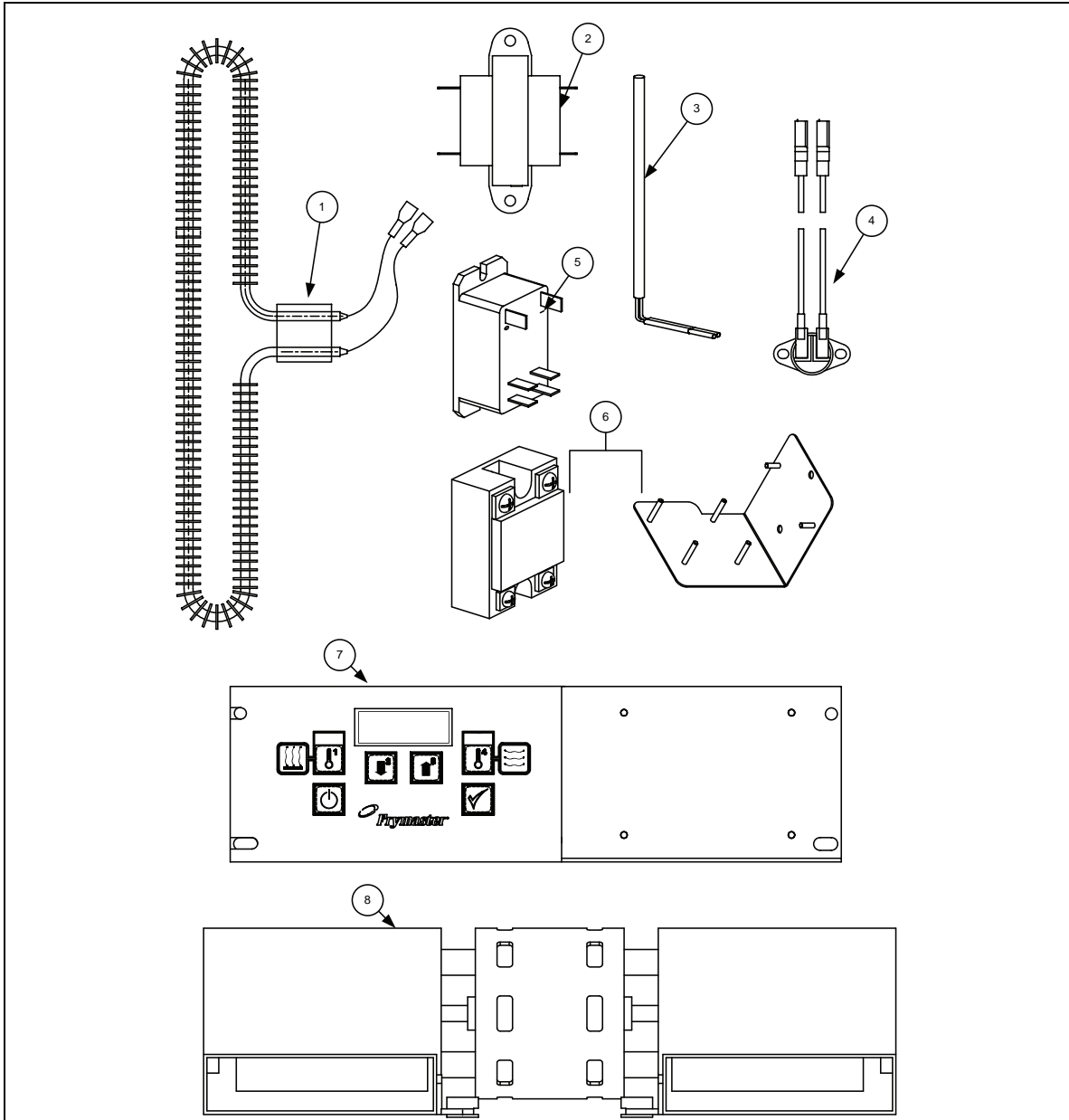
## Where Used:

- McDonald's

## Common Model Number:

- HLZ

# HLZ



| ITEM | PART #   | COMPONENT               |
|------|----------|-------------------------|
| 1    | 826-1549 | Air heater kit, 208V    |
| 2    | 807-0979 | Transformer 208/240/12V |
| 3    | 807-3036 | Air RTD Probe           |
| 4    | 807-3631 | Hi-limit                |
| 5    | 807-3021 | Latch, relay            |
| 6    | 826-2038 | Air Relay Kit, 50-amp   |
| *    | 826-1958 | 5-amp Plate relay kit   |
| 7    | 106-6713 | Computer                |
| 8    | 826-1551 | Blower kit              |

\* Not illustrated.

# Tools



Frymaster sells a number of tools for working on our equipment. The complete list is below. Not all tools illustrated above are available from Frymaster.

| Part #   | Description                                |
|----------|--|
| 806-4855 | Pin-pusher screwdriver                     |
| 806-5023 | Transformer mtb-310a 120v/12v              |
| 806-5093 | MTB/310a test box 120v                     |
| 806-5094 | MTB/310A TEST BOX 240v                     |
| 806-5095 | 5 ft. Ext remote cable assy                |
| 807-0928 | Tool extract/pin pusher                    |
| 807-1391 | Multitester digital dm50a                  |
| 810-0504 | Fuse puller                                |
| 810-0765 | 1" conduit wrench                          |
| 810-0766 | 1.25" conduit wrench                       |
| 230-4028 | Spanner, element nut (used on RE elements) |
| 815-0385 | Socket 1" 6pt mld slot                     |
| 815-0386 | Socket 7/8" deep 6pt mld slot              |
| 815-0810 | 1 1/2" carbide-tipped hl cutter            |
| 817-0001 | Tool roll Xcelite                          |
| 817-0002 | Gas pressure gauge                         |
| 817-0003 | Gas pressure gauge case                    |
| 817-0005 | Tool mini amp pin pusher                   |
| 230-2345 | Extractor pin, SMT, Micro amp              |





**Enodis**<sup>®</sup>  
One Company, Countless Solutions



Frymaster, a member of the Commercial Food Equipment Service Association, recommends using CFESA-certified technicians.

**Frymaster, L.L.C., 8700 Line Avenue, PO Box 51000, Shreveport, Louisiana 71135-1000**  
**Shipping Address: 8700 Line Avenue, Shreveport, Louisiana 71106**

**Tel: 1-318-865-1711**

**Web: [www.frymaster.com](http://www.frymaster.com)**

**FAX Parts: 1-318-219-7140**

**Tech Support: 1-318-219-7135**

**SERVICE HOTLINE**

**1-800-551-8633**

**or [service@frymaster.com](mailto:service@frymaster.com)**

**819-6321**

**SEPT 2007**

**PRINTED IN THE UNITED STATES**