





Why	To keep the filter unit clean and in working order.	
Time required	5 minutes to prepare	20 minutes to complete
Time of day	Beginning or end of day after filtration.	For 24-hour restaurants: during low-volume periods or at night
Hazard icons	 Chemicals  Electricity  Hot Oil  Hot Surfaces	

Tools and supplies



Apron, heat-resistant



Brush, Nylon pot, heat-resistant



McD All Purpose Super Concentrate (APSC) solution



Bucket, clean and sanitized towels



Bucket, soiled towels



Gloves, neoprene



Face shield



Paper towels



Adjustable Wrench

Daily

Equipment Alert **NOTE:** DO NOT use McD® Sink Sanitizer to clean the stainless steel surfaces of the MPF50S. DO NOT use any other tool or medium to clean the MPF50S than what is described in this maintenance guide. Wire brushes, abrasive pads, or metal scrapers will permanently damage heated surfaces. DO NOT use any other cleaner other than McD® A.P.S.C. Using other compounds may result in damage to control components.

Procedure :

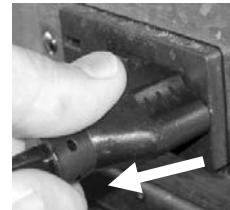
- 1 Check lines and hose are clear.
At the end of the filtering session, ensure the flexible hose and pump lines are clear by running the filter pump for an additional 15-30 seconds after bubbles emerge from the oil return line. Drain the flexible hose.



 Hot Oil  Hot Surfaces

- 2 Remove power.
Remove power from the unit.

 Electricity



- 3 Remove the filter pan components.
Remove the filter pan cover and hold-down ring, the filter paper and the support screen.

 Hot Surfaces
 Hot Oil



Clean MPF50S Portable Filter (continued)

- 4 Wash all filter components. Wash all filter components with McD® All Purpose Super Concentrate (A.P.S.C) and rinse. **DO NOT** use cleanser or water inside the filter pan. Wipe residual oil and sediment from inside the filter pan with a dry clean cloth or paper towel.



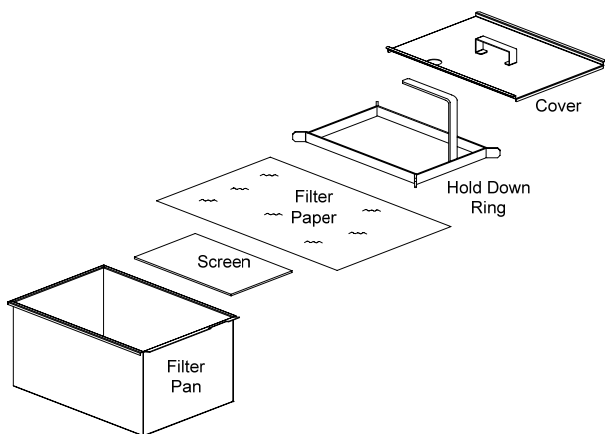
 **Chemicals**
McD APSC

- 5 Clean all surfaces. Wipe clean all outer stainless steel surfaces with another clean, sanitized towel that has been soaked in McD® All Purpose Super Concentrate (A.P.S.C) solution.



 **Chemicals**
McD APSC

- 6 Rinse and re-assemble filter components. Rinse all parts with clean water (except filter pan interior) and dry all filter parts thoroughly. Reassemble the filter parts in this order: support screen, filter paper and hold down ring.



Perform the next steps WEEKLY

- 7 Clean filter pan. Clear filter pan of built-up residue by wiping with a clean cloth or paper towel. **DO NOT** use soap or water in the filter pan.



- 8 Check both hose end connections. Check the hose end connections and tighten if necessary.

