

BIELA14 Series

Gen II LOV™ Electric Fryer



Wiring Diagrams

This manual is updated as new information and models are released. Visit our website for the latest manual.
This equipment chapter is to be installed in the Fryer Section of the *Equipment Manual*.



Part Number: FRY_D_8197222 03/15

 DANGER

Improper installation, adjustment, maintenance or service, and unauthorized alterations or modifications can cause property damage, injury, or death. Read the installation, operating, and service instructions thoroughly before installing or servicing this equipment.

 DANGER

This fryer has a power cord (three-phase) for each frypot and a single five-wire cord for the entire system. Prior to movement, testing, maintenance and any repair on your Frymaster fryer; disconnect ALL electrical power cords from the electrical power supply.

BIELA14 SERIES LOV™ ELECTRIC FRYER

Table of Contents

SECTION 1: Wiring Diagrams

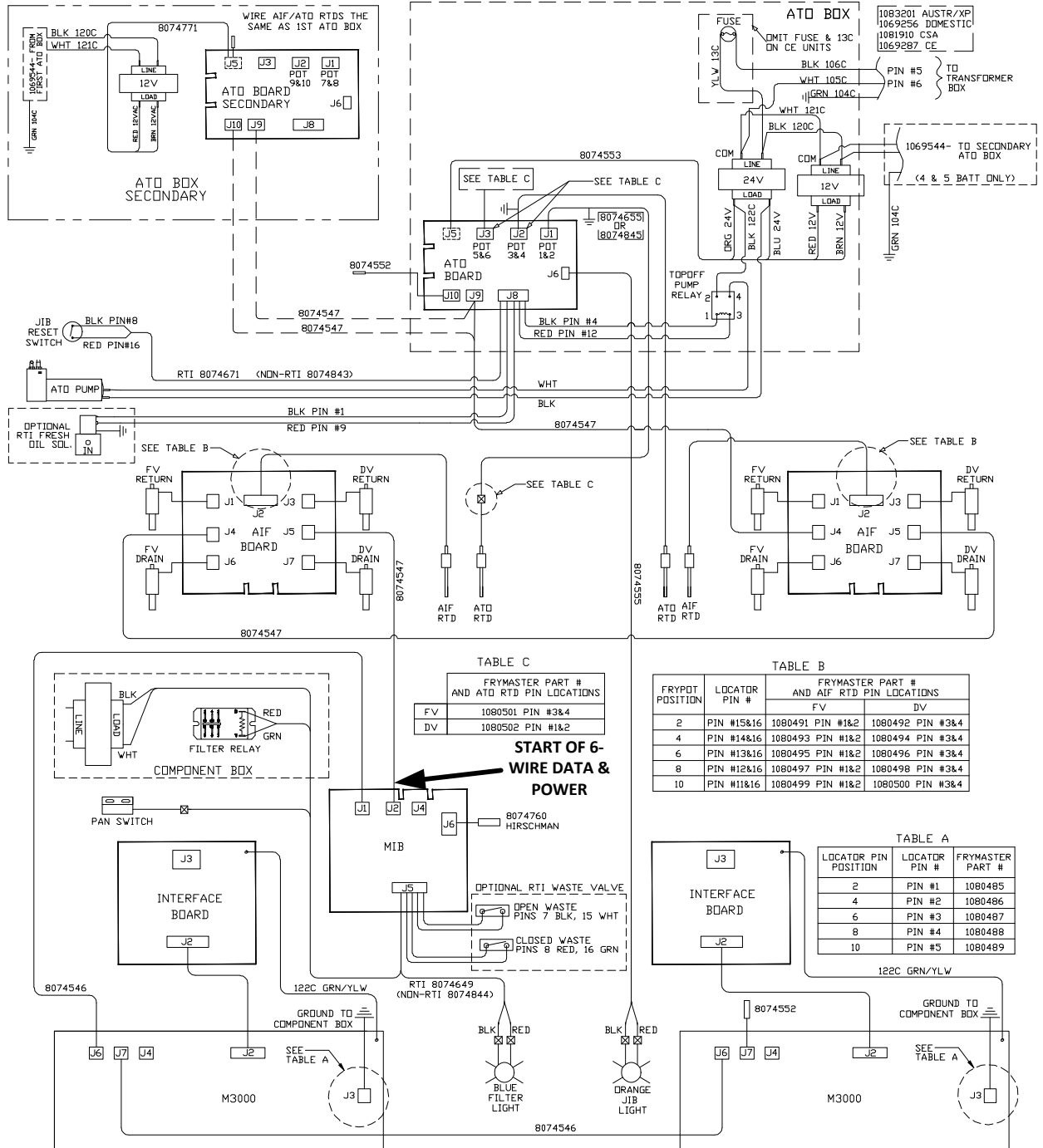
1.1	BIELA14 Series GEN II LOV™ Simplified Wiring	1-1
1.2	BIELA14 Series GEN II LOV™ Simplified Wiring with obsolete LON Board	1-2
1.3	Component Wiring Domestic	1-3
1.4	Component Wiring CE	1-4
1.5	Component Wiring CSA	1-7
1.6	Component Wiring Australia.....	1-8
1.7	Contactor Box-Delta Configuration	1-9
1.8	Contactor Box-WYE Configuration.....	1-10
1.9	Solid Shortening Melting Unit Wiring.....	1-11
1.10	Solid Shortening Component Wiring 120V.....	1-12
1.11	Solid Shortening Melting Unit Wiring 240V.....	1-13

THIS PAGE INTENTIONALLY LEFT BLANK

BIELA14 SERIES GEN II LOV™ ELECTRIC FRYER

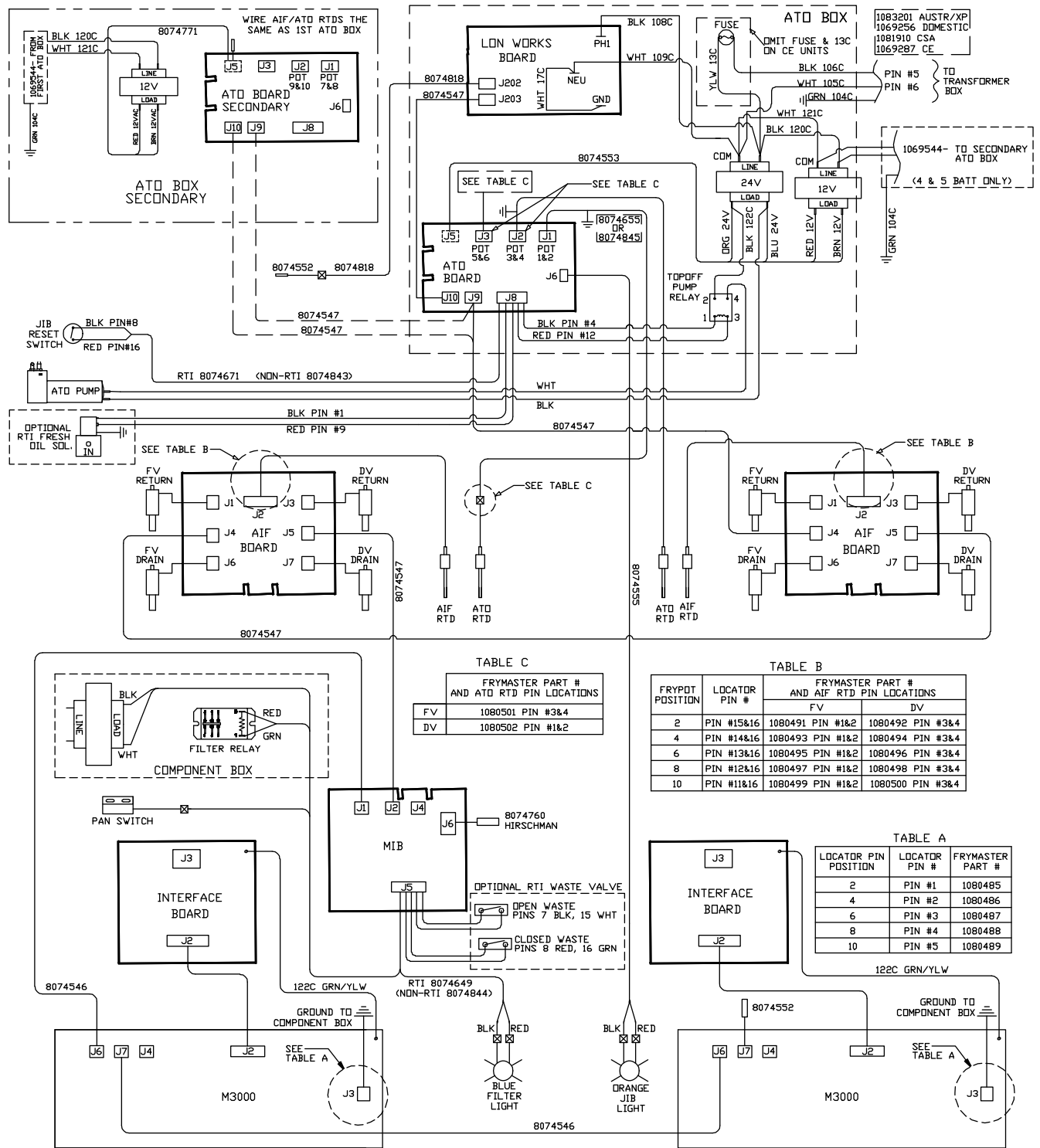
SECTION 8: WIRING DIAGRAMS

1.1 BIELA14 Series GEN II LOV™ Simplified Wiring



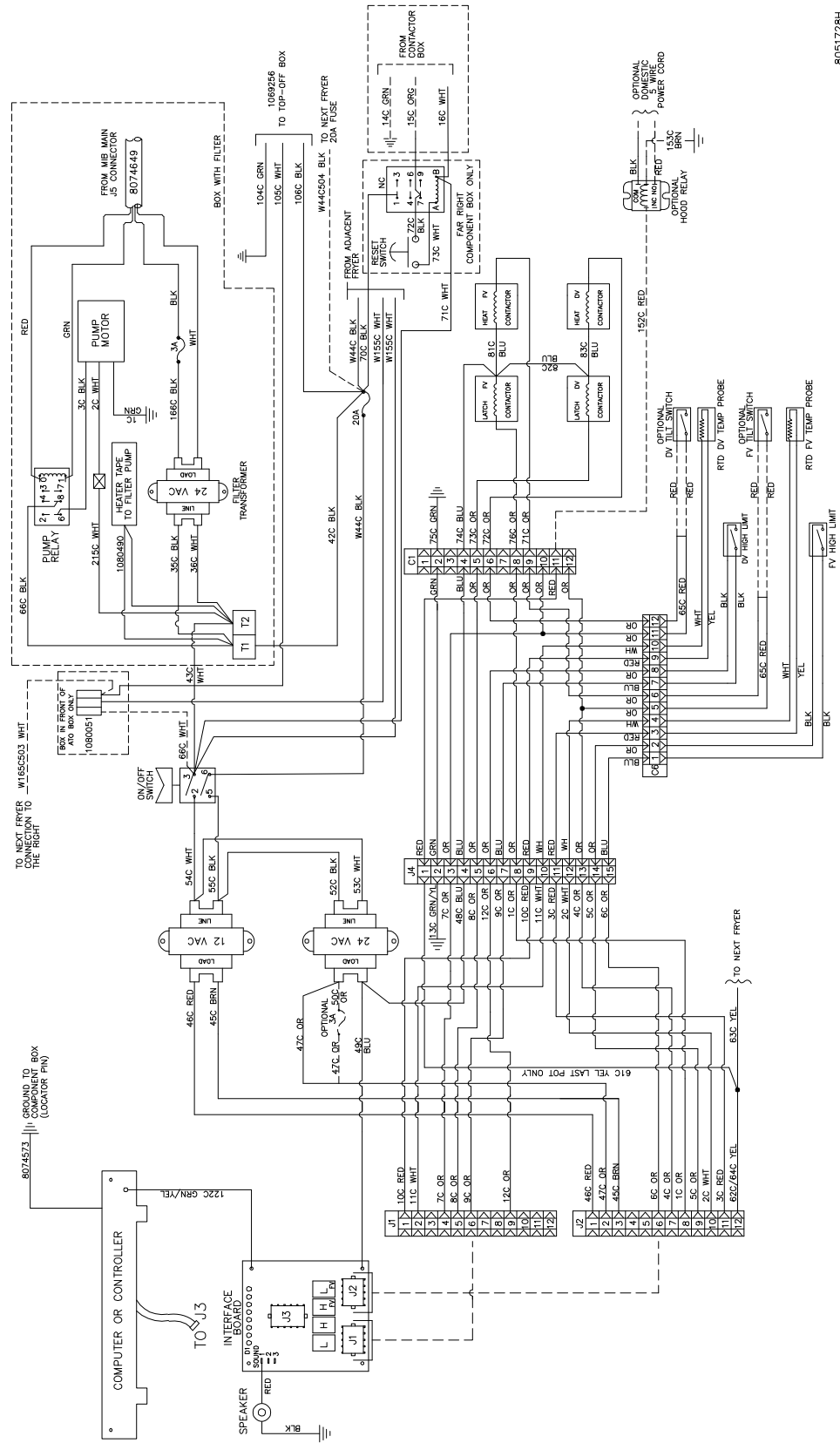
8051734T

1.2 BIELA14 Series GEN II LOV™ Simplified Wiring with obsolete LON Board



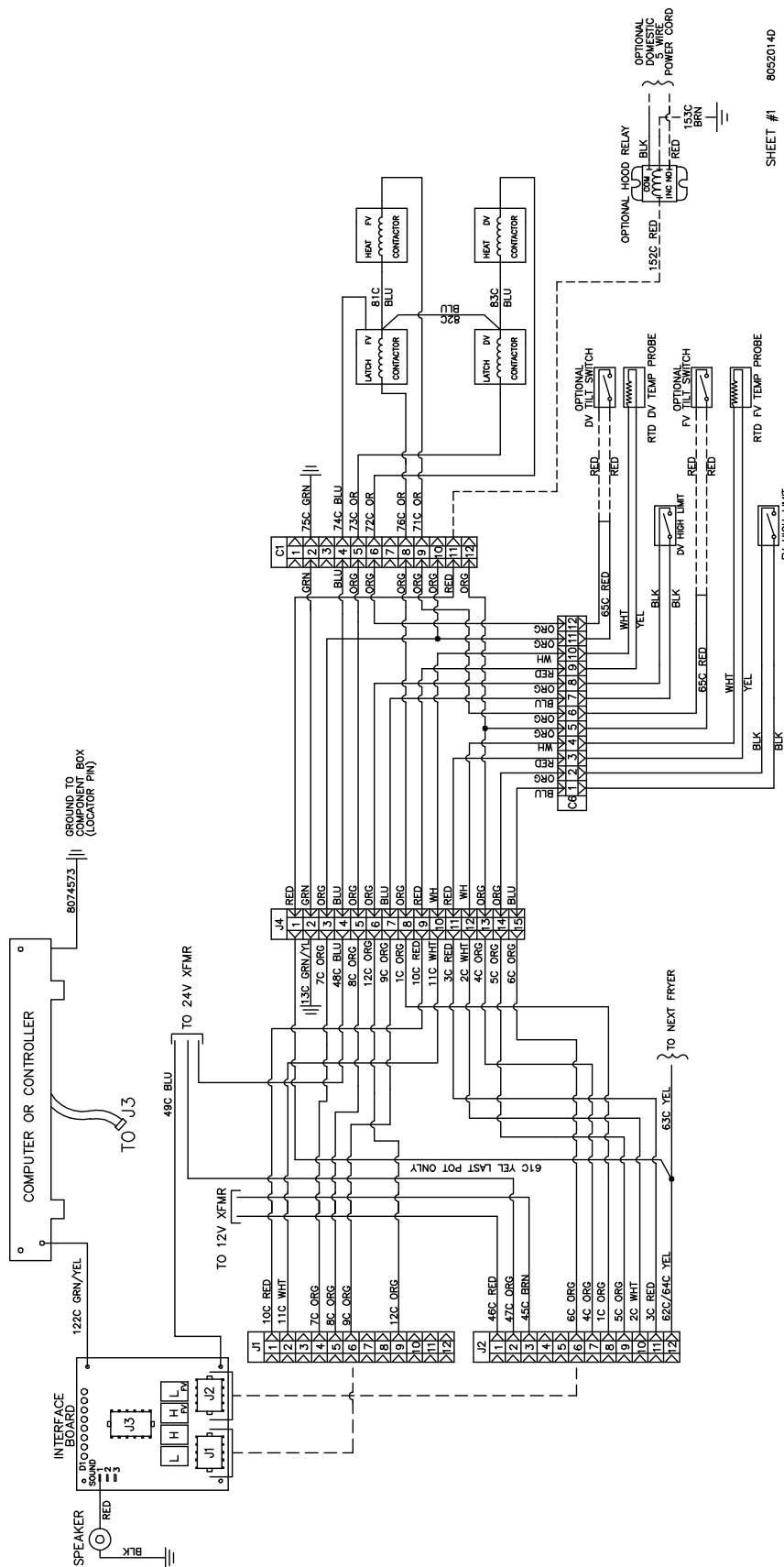
8051734S

1.3 Component Wiring (Domestic)



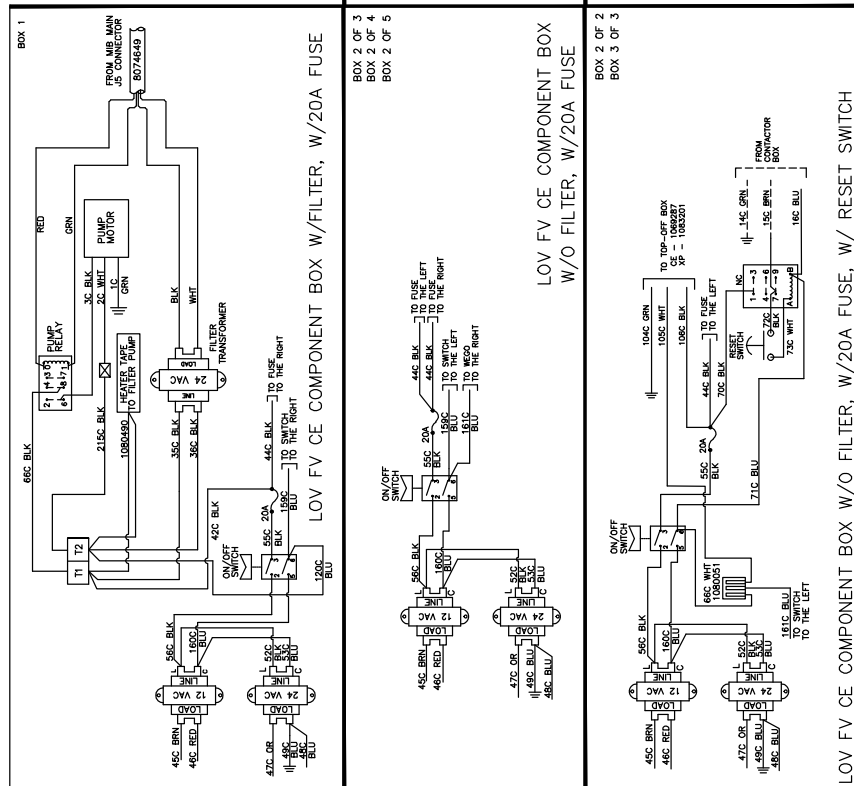
8051728H

1.4 Component Wiring (CE) page 1

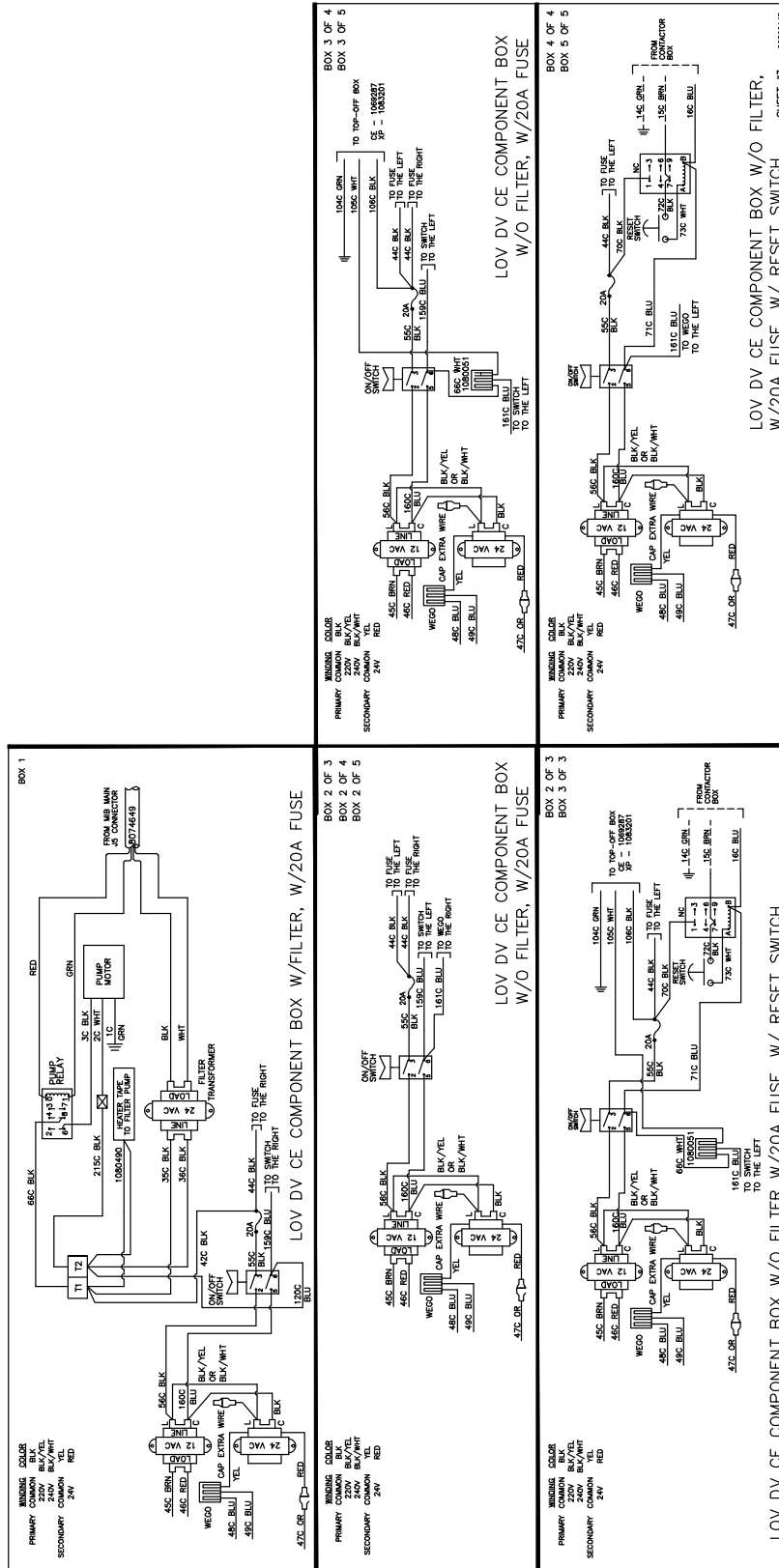


SHEET #1 80520140

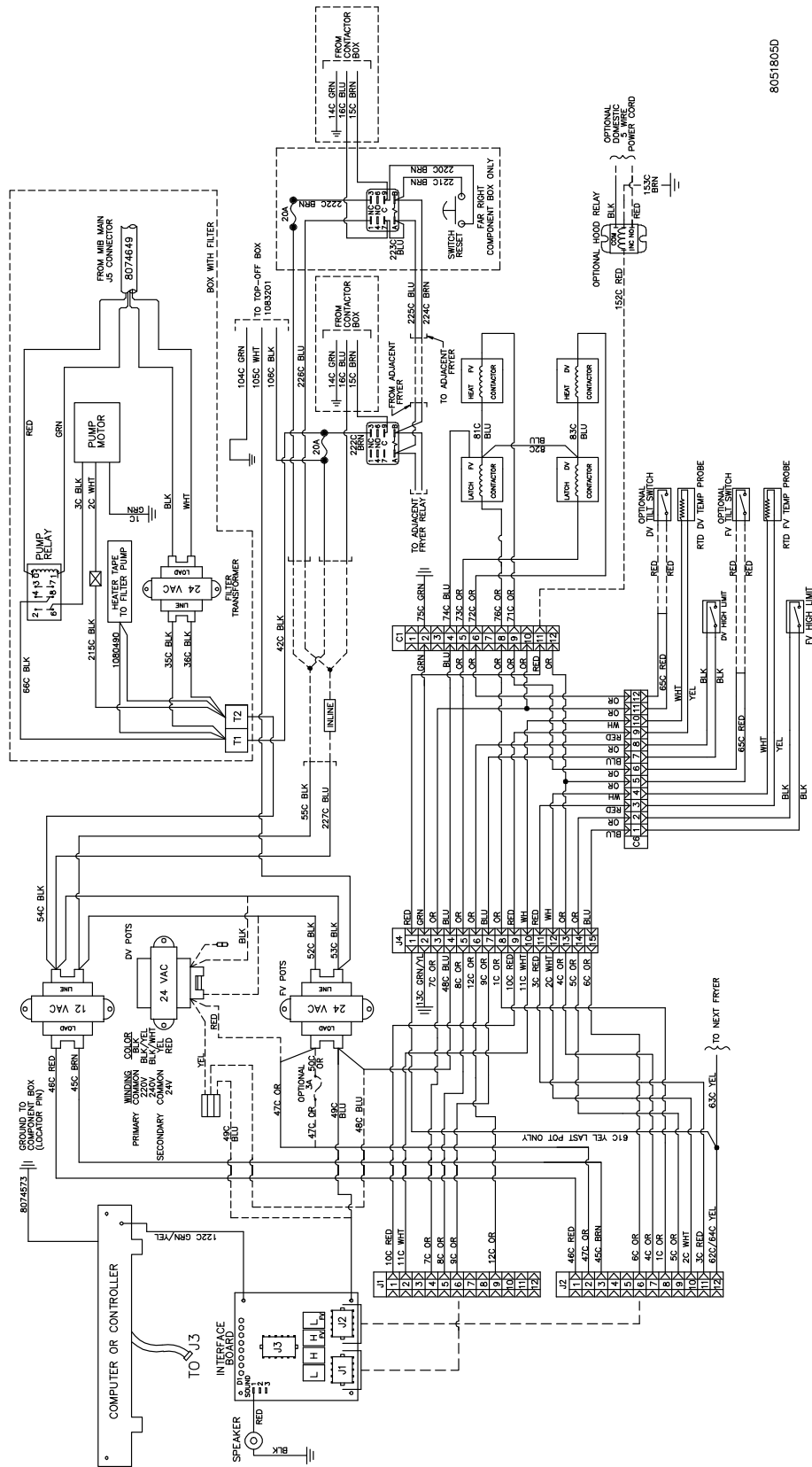
1.4 Component Wiring (CE) page 2



1.4 Component Wiring (CE) page 3

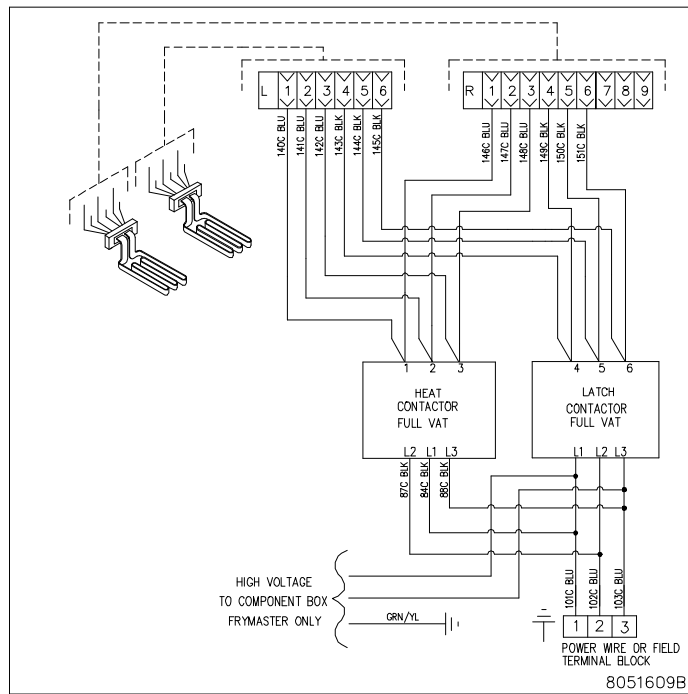


1.6 Component Wiring (Australia)

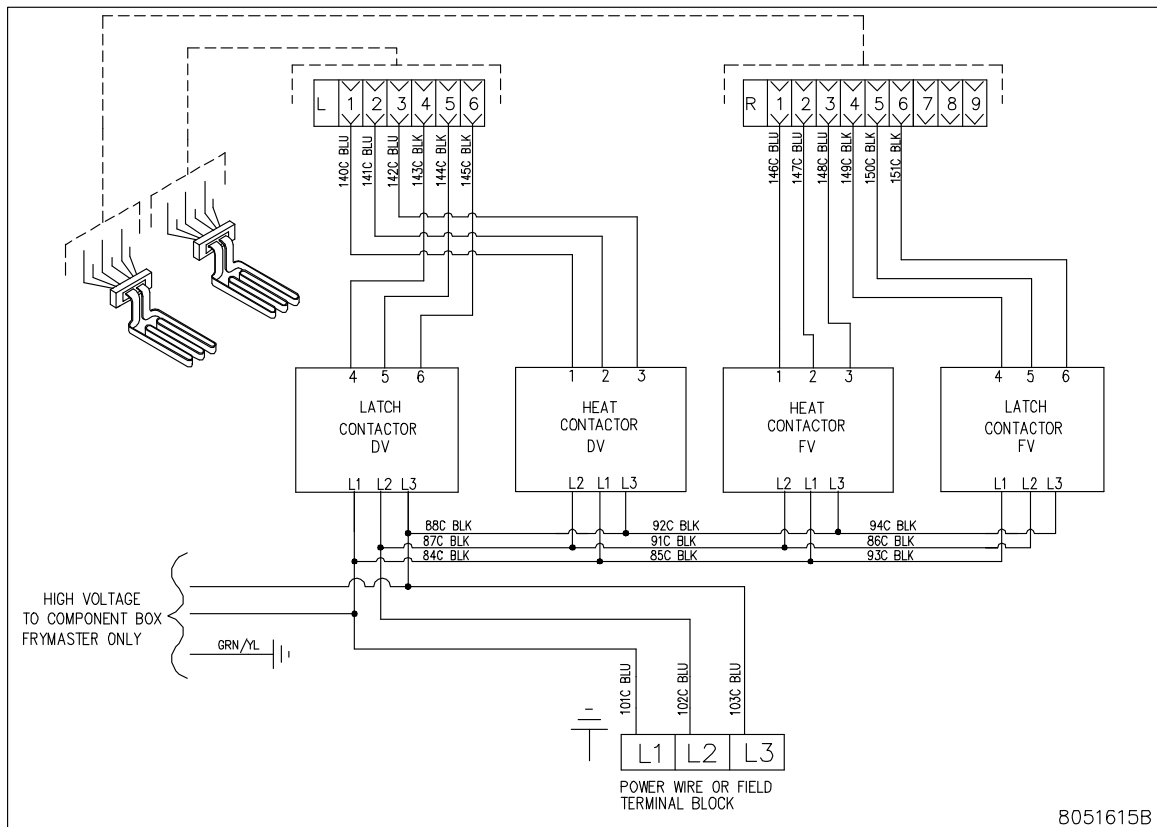


8051805D

1.7 Contactor Box – Delta Configuration

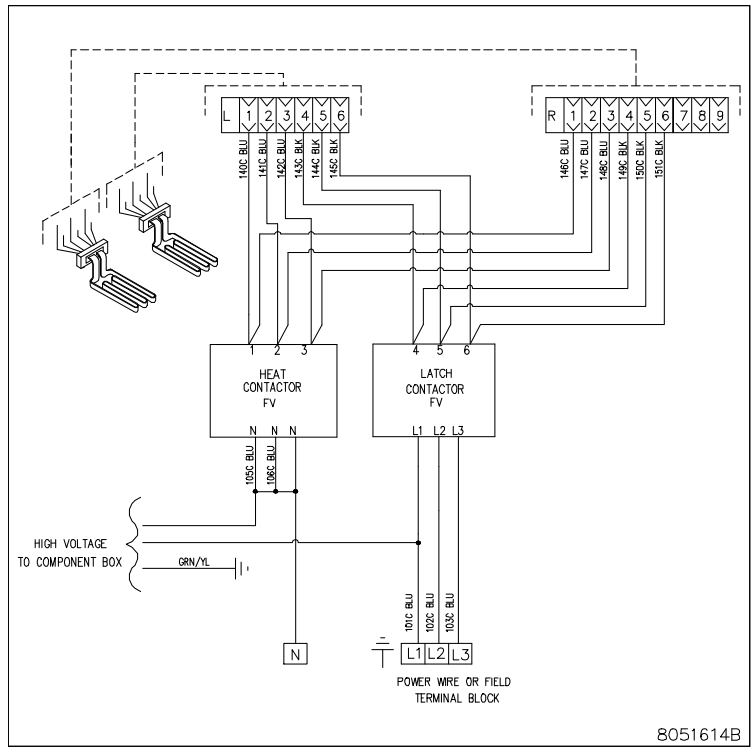


FULL VAT

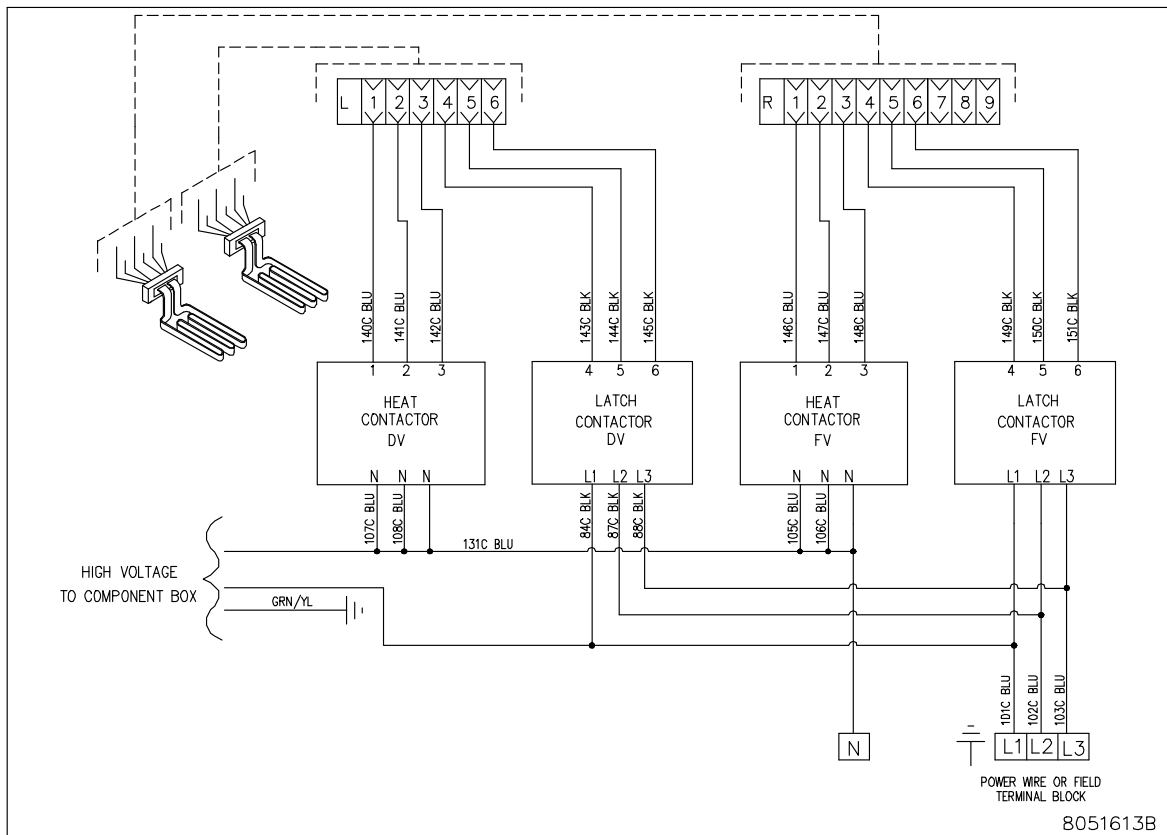


DUAL VAT

1.8 Contactor Box – WYE Configuration

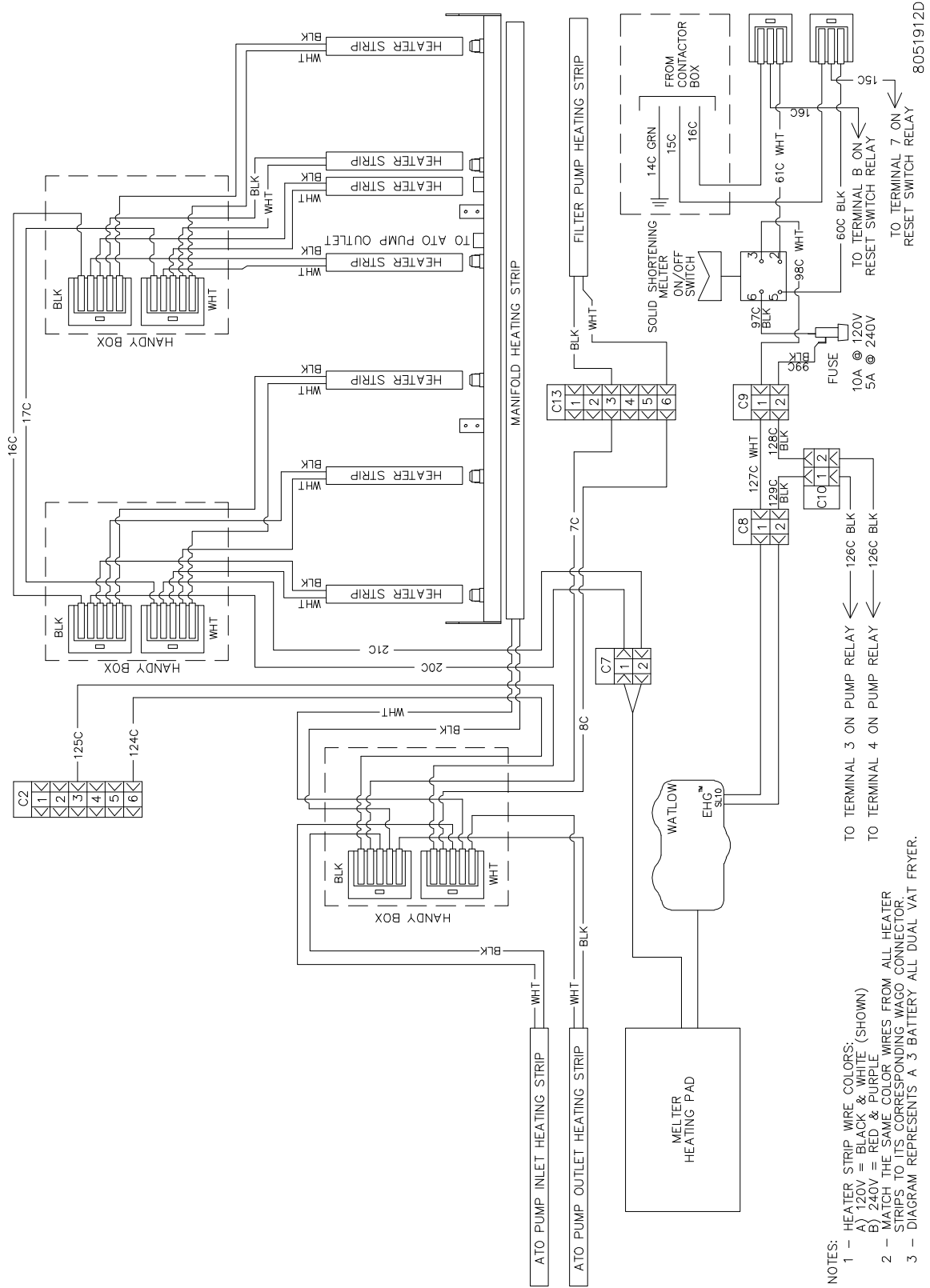


FULL VAT

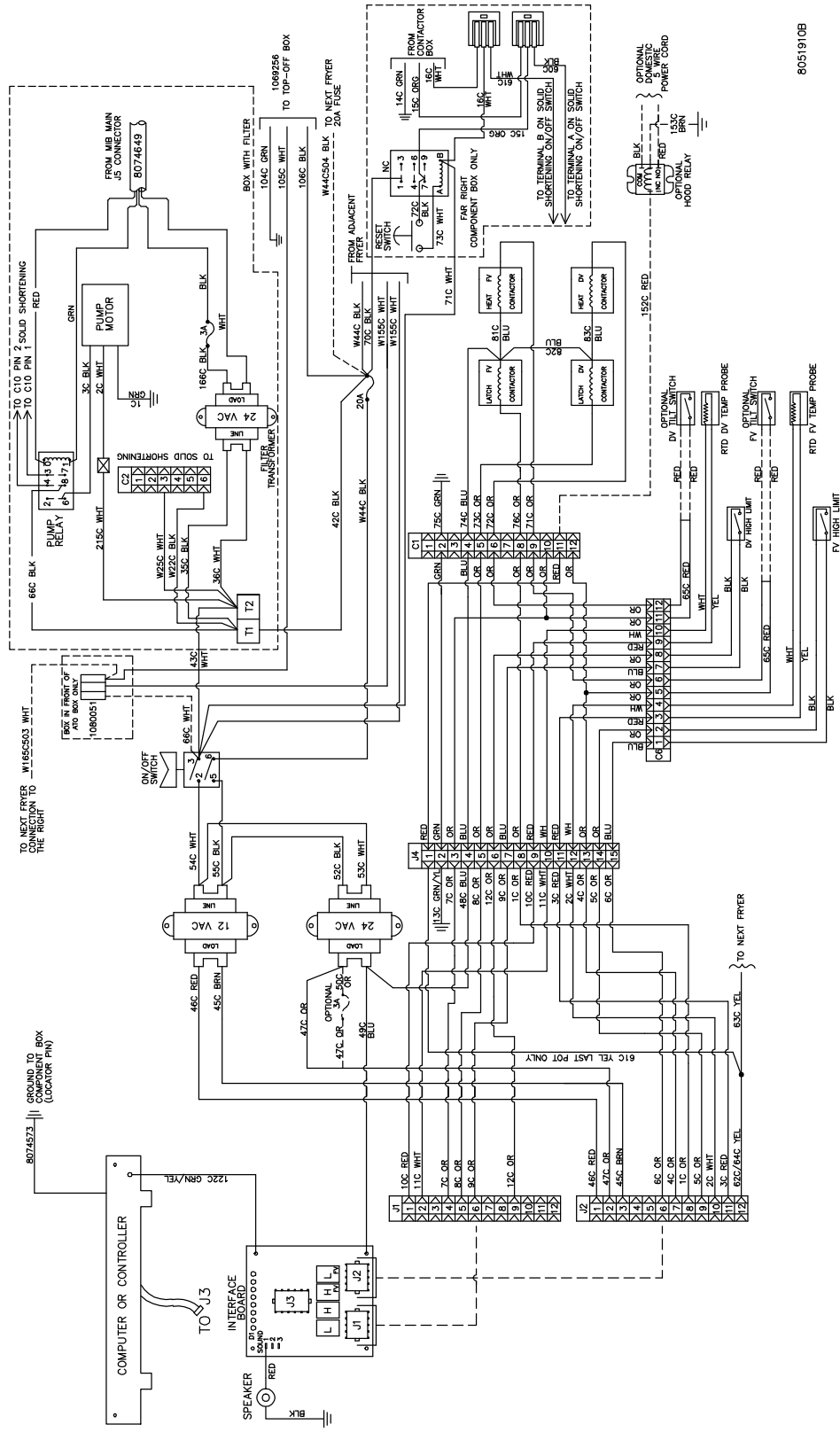


DUAL VAT

1.9 Solid Shortening Melting Unit Wiring

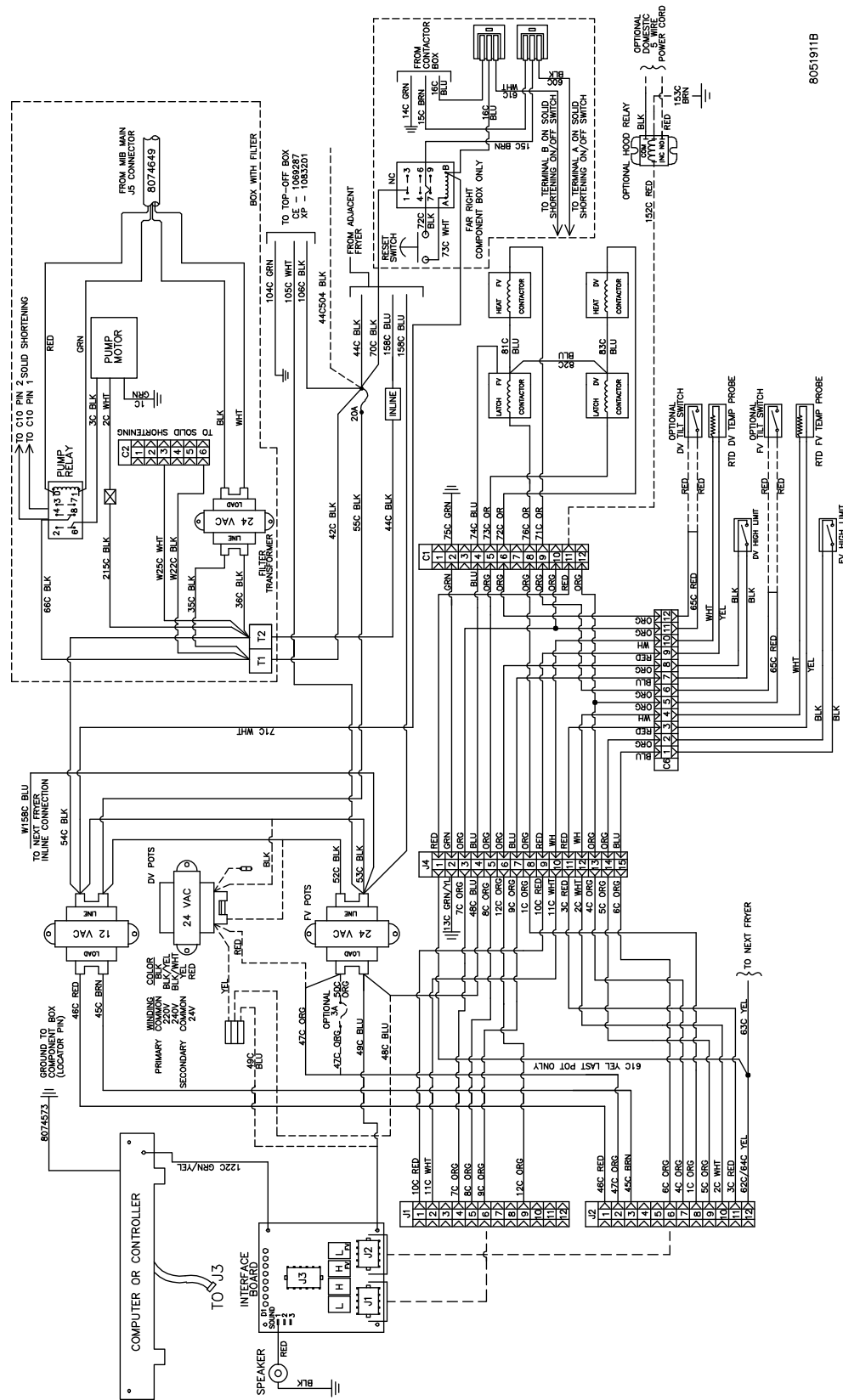


1.10 Solid Shortening Component Wiring 120V



8051910B

1.11 Solid Shortening Component Wiring 240V



8051911B



FRYMASTER
8700 LINE AVENUE, SHREVEPORT, LA 71106-6800

318-865-1711
844-724-CARE (2273)
WWW.FRYMASTER.COM
EMAIL: SERVICE@FRYMASTER.COM



Every new piece of Manitowoc Foodservice equipment comes with KitchenCare™ and you choose the level of service that meets your operational needs from one restaurant to multiple locations.

StarCare – Warranty & lifetime service, certified OEM parts, global parts inventory, performance audited

ExtraCare – CareCode, 24/7 Support, online/mobile product information

LifeCare – Install & equipment orientation, planned maintenance, KitchenConnect™, MenuConnect

Talk with KitchenCare™ - 1-844-724-CARE - www.mtwkitchencare.com



To learn how Manitowoc Foodservice and its leading brands can equip you, visit our global web site at www.manitowocfoodservice.com, then discover the regional or local resources available to you.

