

1814E with FilterQuick[™]

Electric Fryer

Parts Manual

This manual is updated as new information and models are released. Visit our website for the latest manual.



Part Number: FRY_P_8197319 02/2024



NOTICE

IF, DURING THE WARRANTY PERIOD, THE CUSTOMER USES A PART FOR THIS FRYMASTER DEAN EQUIPMENT OTHER THAN AN UNMODIFIED NEW OR RECYCLED PART PURCHASED DIRECTLY FROM FRYMASTER DEAN, OR ANY OF ITS FACTORY AUTHORIZED SERVICERS, AND/OR THE PART BEING USED IS MODIFIED FROM ITS ORIGINAL CONFIGURATION, THIS WARRANTY WILL BE VOID. FURTHER, FRYMASTER DEAN AND ITS AFFILIATES WILL NOT BE LIABLE FOR ANY CLAIMS, DAMAGES OR EXPENSES INCURRED BY THE CUSTOMER WHICH ARISE DIRECTLY OR INDIRECTLY, IN WHOLE OR IN PART, DUE TO THE INSTALLATION OF ANY MODIFIED PART AND/OR PART RECEIVED FROM AN UNAUTHORIZED SERVICER.

NOTICE

This appliance is intended for professional use only and is to be operated by qualified personnel only. A Factory Authorized Servicer (FAS) or other qualified professional should perform installation, maintenance, and repairs. Installation, maintenance, or repairs by unqualified personnel may void the manufacturer's warranty.

⚠ DANGER

Improper installation, adjustment, maintenance or service, and unauthorized alterations or modifications can cause property damage, injury, or death. Read the installation, operating, and service instructions thoroughly before installing or servicing this equipment.

⚠ DANGER

The front ledge of this appliance is not a step! Do not stand on the appliance. Serious injury can result from slips or contact with the hot oil.

⚠ WARNING

Do not attach accessories to this fryer unless fryer is secured from tipping. Personal injury may result.

⚠ DANGER

Adequate means must be provided to limit the movement of this appliance without depending on or transmitting stress to the electrical conduit. A restraint kit is provided with the fryer. If the restraint kit is missing contact your local KES.

⚠ DANGER

Prior to movement, testing, maintenance and any repair on your Frymaster fryer, disconnect all electrical power from the fryer.

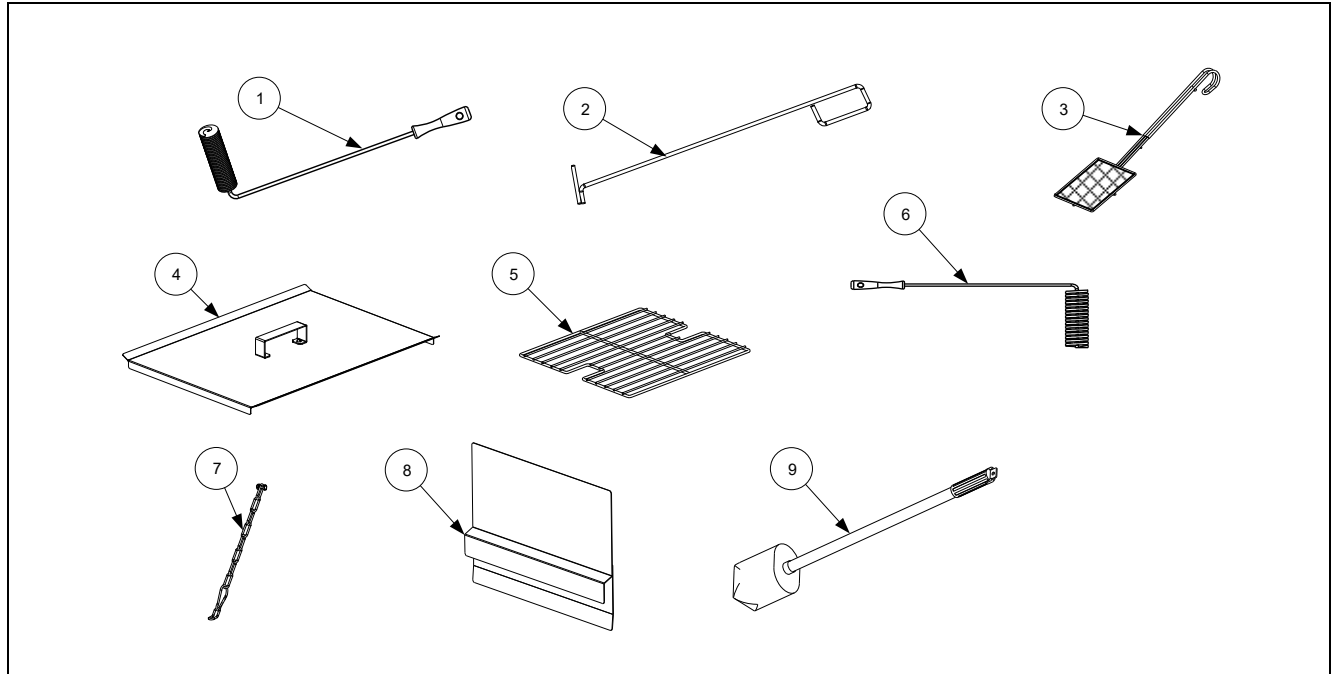
1814E with FILTERQUICK™ SERIES ELECTRIC FRYERS PARTS TABLE OF CONTENTS

| | |
|--|------|
| CAUTIONARY STATEMENTS..... | i |
| CHAPTER 1: Parts List | |
| 1.1 Accessories..... | 1-1 |
| 1.1.1 1814E FilterQuick PCB/Controller Board Matrix..... | 1-1 |
| 1.2 Doors, Sides, Tilt Housings, Top Caps, Casters and Other Exterior Components | 1-2 |
| 1.3 Electronics and Wiring Components | 1-3 |
| 1.3.1 Component Boxes | 1-3 |
| 1.3.2 Contactor Boxes..... | 1-4 |
| 1.3.3 Heating Element Assemblies and Associated Parts..... | 1-5 |
| 1.3.3.1 Element Assemblies and Hardware..... | 1-5 |
| 1.3.3.2 Element Tube Assemblies | 1-6 |
| 1.3.4 Wiring | 1-6 |
| 1.3.4.1 Contactor Box Wiring Assemblies 12-Pin Full Vat | 1-6 |
| 1.3.4.2 Contactor Box Wiring Assemblies 6-Pin Left Element | 1-7 |
| 1.3.4.3 Contactor Box Wiring Assemblies 9-Pin Right Element | 1-7 |
| 1.3.4.4 Component Box to Filter Pump Harness | 1-7 |
| 1.3.4.5 Main Wiring Harness | 1-8 |
| 1.3.4.6 Interface Board to Controller Wiring Harness 15-Pin | 1-8 |
| 1.3.4.7 Component Box, Filter Pump and Basket Lift Wiring Harnesses | 1-9 |
| 1.3.4.8 Basket Lift Harness..... | 1-9 |
| 1.4 Filtration System Components | 1-10 |
| 1.4.1 Filter Pan and Associated Components | 1-10 |
| 1.4.2 Filter Pump and Associated Components | 1-11 |
| 1.5 Filtration Electronic Components..... | 1-12 |
| 1.5.1 Manual Interface Board (MIB) Assembly..... | 1-12 |
| 1.5.2 Automatic Intermittent Filtration (AIF) Board Assembly | 1-12 |
| 1.6 Frypot Assemblies and Associated Parts..... | 1-13 |
| 1.7 Auto Top-Off Pump Assembly | 1-14 |
| 1.8 Oil Plumbing Components..... | 1-15 |
| 1.8.1 Bulk Manifold and Accessories..... | 1-15 |
| 1.8.2 Bulk Dispose Waste Valve | 1-16 |
| 1.8.3 Bulk Connection | 1-17 |
| 1.8.4 Oil Quality Sensor (OQS) and Associated Parts | 1-17 |
| 1.9 Basket Lift Assembly and Associated Parts..... | 1-18 |
| 1.9.1 Basket Lift Assembly and Associated Parts (<i>Jan. 2002 to Jan. 2017</i>) | 1-18 |
| 1.9.2 Basket Lift Assembly and Associated Parts 200V-250V (<i>After Jan. 2017</i>) (<i>Modular</i>)... | 1-20 |
| 1.10 Wiring Connectors, Pin Terminals and Power Cords | 1-22 |
| 1.11 Fasteners..... | 1-23 |
| 1.12 Wiring Diagram for Harness Part Numbers | 1-24 |

1814E with FILTERQUICK™ SERIES ELECTRIC FRYERS

CHAPTER 1: PARTS LIST

1.1 Accessories



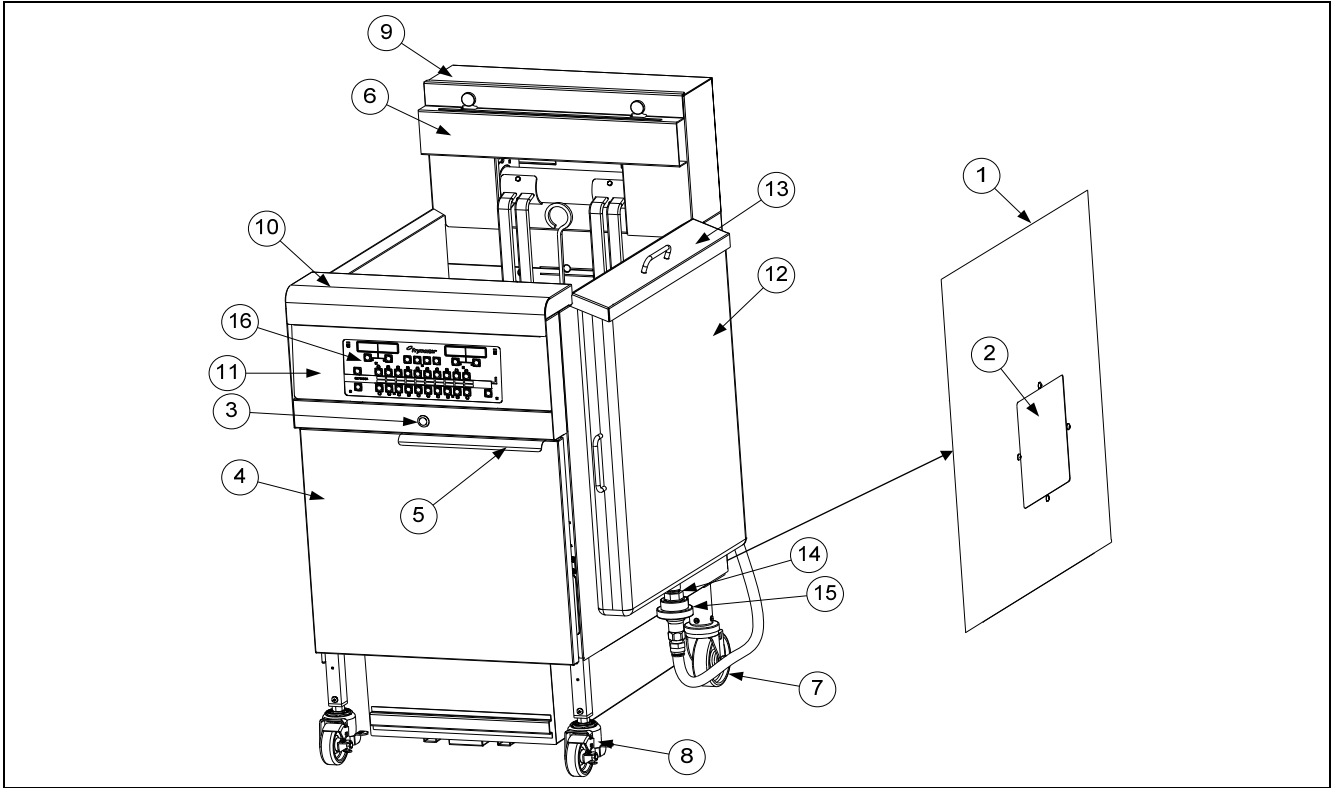
| ITEM | PART # | COMPONENT |
|------|---------|--|
| 1 | 8030278 | Brush, Frypot |
| 2 | 8030388 | Fryers Friend |
| 3 | 8030446 | Skimmer |
| 4 | 1069620 | Cover, Frypot 1817 |
| 5 | 8030380 | Rack, Basket 1817 |
| 6 | 8030429 | Brush, Frypot 90° Plastic |
| 7 | 8260900 | Kit, Chain Restraint |
| 8 | 8238155 | Guard, Splash 1817 |
| 9 | 8030254 | Brush, UHC (Oil Saddle Reservoir Cleaning Brush) |
| * | 8030002 | Powder, Filter (80- 1-Cup Applications) |
| * | 8030170 | Pack, 100-Sheet Filter Paper 27.5 X 19.5 |

* Not illustrated

1.1.1 1814E FilterQuick™ PCB/Controller Board Matrix

| PART # | COMPONENT |
|---------|--|
| 1087002 | Assembly, MIB PCB w/ metal work see section 1.5.1 |
| 1085721 | Assembly, AIF Board w/ metal frame see section 1.5.2 |
| 1085717 | Board, ATO PCB w/ software see section 1.3.1 |
| 8263301 | FQ3000 Controller Generic see section 1.2 |
| 1087077 | FQ3000 Controller Cracker Barrel see section 1.2 |

1.2 Doors, Sides, Tilt Housings, Top Caps, Casters and Other Exterior Components



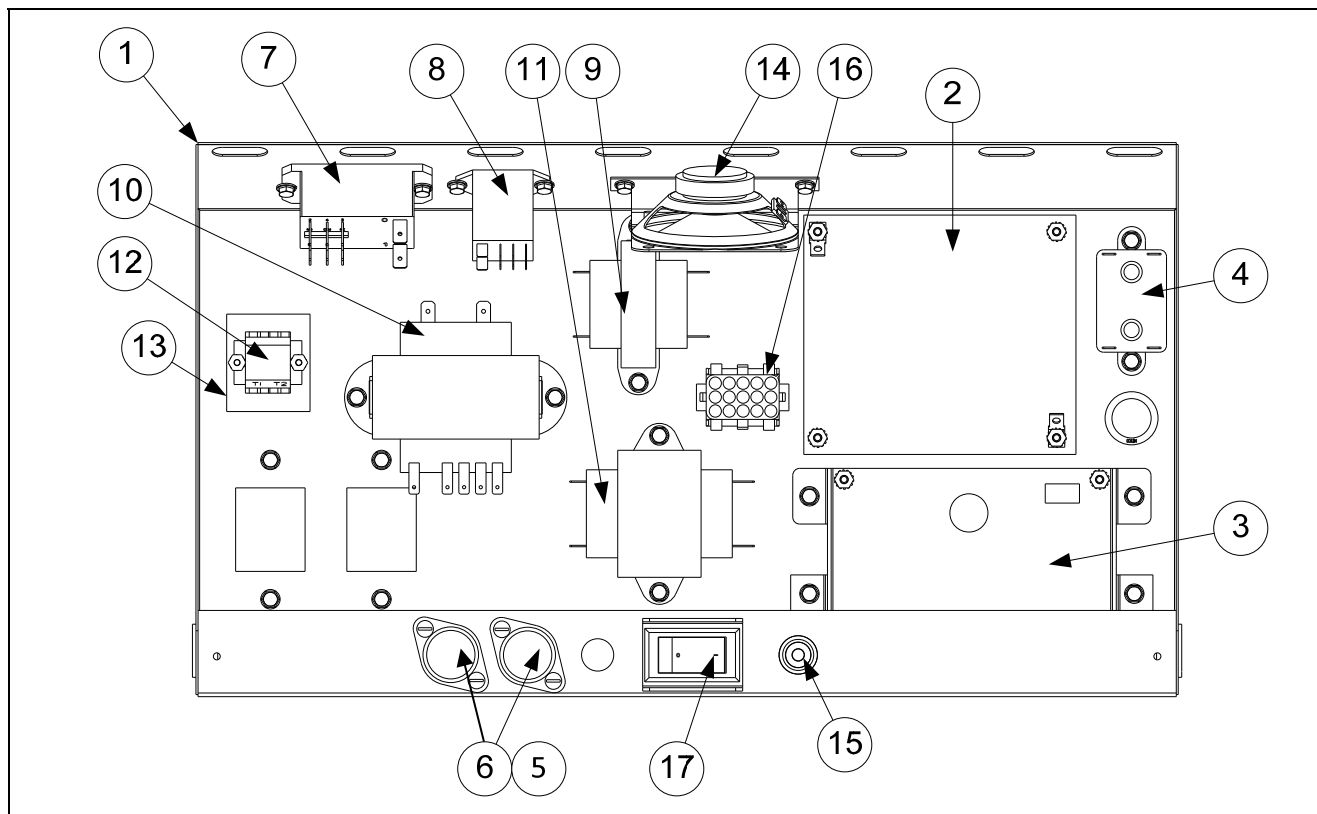
| ITEM | PART # | COMPONENT |
|------|---------|---|
| 1 | 2601516 | Side, Cabinet Left FQ1814 SS |
| * | 2601517 | Side, Cabinet Right FQ1814 SS |
| 2 | 2601519 | Cover, Cabinet Side Hole |
| √ 3 | 8075858 | Switch, Push Button LED Blue Ring Light |
| 4 | 1087031 | Door, FQ1814 with Menu Holder |
| 5 | 2108077 | Handle, Door |
| * | 1064067 | Pin Assembly, Door |
| * | 8100275 | Spring, Door Pin |
| * | 8100658 | Retaining Ring |
| * | 8121328 | Hinge, Door Lower |
| * | 2401407 | Holder, 1814 Manual |
| * | 8101105 | Magnet, Door (vertical) |
| 6 | 2304318 | Hanger, Basket Single 1817 |
| 7 | 8100327 | Caster 4" without Brake -Rear |
| 8 | 8232844 | Caster 3" with Brake -Front |
| 9 | 8236716 | Tilt Housing |
| 10 | 1081722 | Top Cap |
| 11 | 2601520 | Bezel, Controller FQ1814 |
| 12 | 8239210 | Tank, Oil Saddle FQ1814 |
| 13 | 8239211 | Lid, Oil Saddle Tank FQ1814 |
| 14 | 8130022 | Nipple, 1/2" x Close NPT |
| 15 | 8100490 | Quick Disconnect 1/2" Female |
| √ 16 | 8263301 | Controller, Replacement FilterQuick™ |
| √ | 1087077 | Controller, Replacement FilterQuick™ Cracker Barrel |
| * | 2204317 | Back, Lower Cabinet |
| * | 2401464 | Back, Upper Cabinet |

* Not illustrated

√ Recommended parts

1.3 Electronics and Wiring Components

1.3.1 Component Boxes

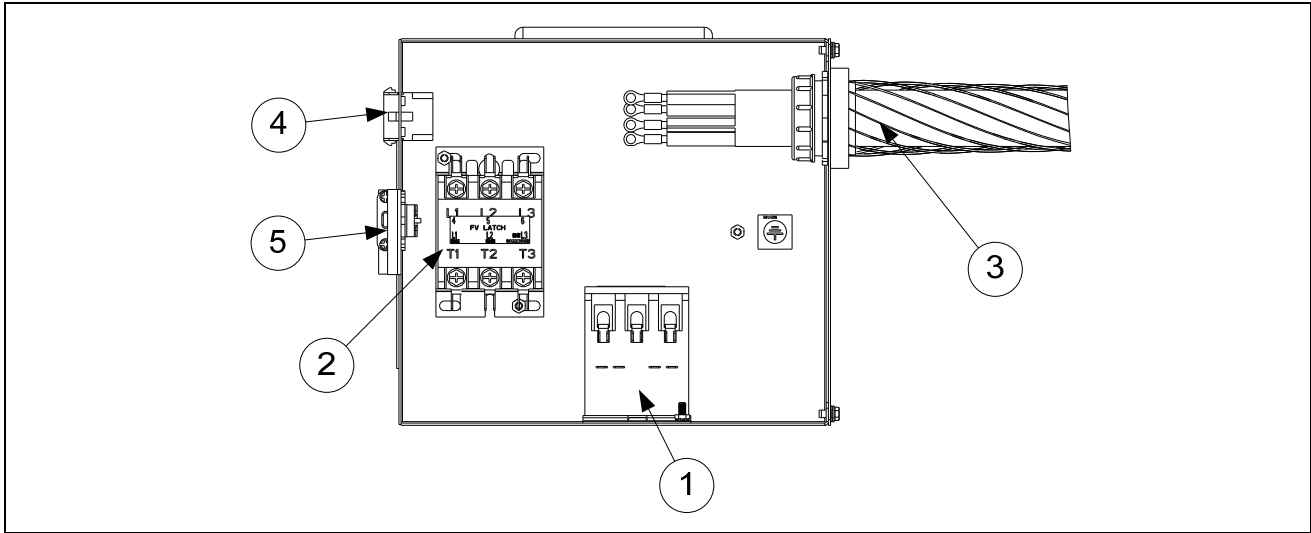


| ITEM | PART # | COMPONENT |
|------|---------|--|
| | 1087001 | Box Assembly, Component 208-240V |
| 1 | 1086997 | Box Stud Assembly, Component |
| ✓ 2 | 8262260 | Interface Board, Standard Full or Dual Vat (<i>includes sound harness</i>) |
| ✓ 3 | 1085717 | PCB Board, Automatic Top Off |
| ✓ 4 | 8070012 | Relay, 18AMP 1/3 HP 24V Coil (Top off pump) |
| ✓ 5 | 8071321 | Holder, AGC Panel Mount ¼" Fuse |
| ✓ 6 | 8072278 | Fuse, 20 AMP |
| ✓ 7 | 8074482 | Relay, Filter 2 Pole 30A DPDT 24VDC |
| 8 | 8075623 | Relay, 24VDC SPDT |
| ✓ 9 | 8070979 | Transformer, 208-240V/12V 43VA Controller and ATO Board Power |
| ✓ 10 | 8075362 | Transformer, 115-240V/24V 80VA MIB, AIF and ATO Pump |
| ✓ 11 | 8070680 | Transformer, 208/240V/24V 20VA Heat/Latch Contactor, ATO board |
| 12 | 8101164 | Terminal Block |
| 13 | 8160217 | Paper, Insulating Terminal Block |
| 14 | 8074403 | Speaker, 4-Watt SMT |
| ✓ 15 | 8074678 | Switch, Momentary Flush JIB Reset |
| 16 | 1065750 | Harness Assembly, RE FV Controls |
| ✓ 17 | 8074036 | Switch, Power |
| * | 8262249 | RE Hood/Ansul Interlock Kit (<i>includes terminal block, wires and connectors</i>) |

* Not illustrated

✓ Recommended parts

1.3.2 Contactor Box



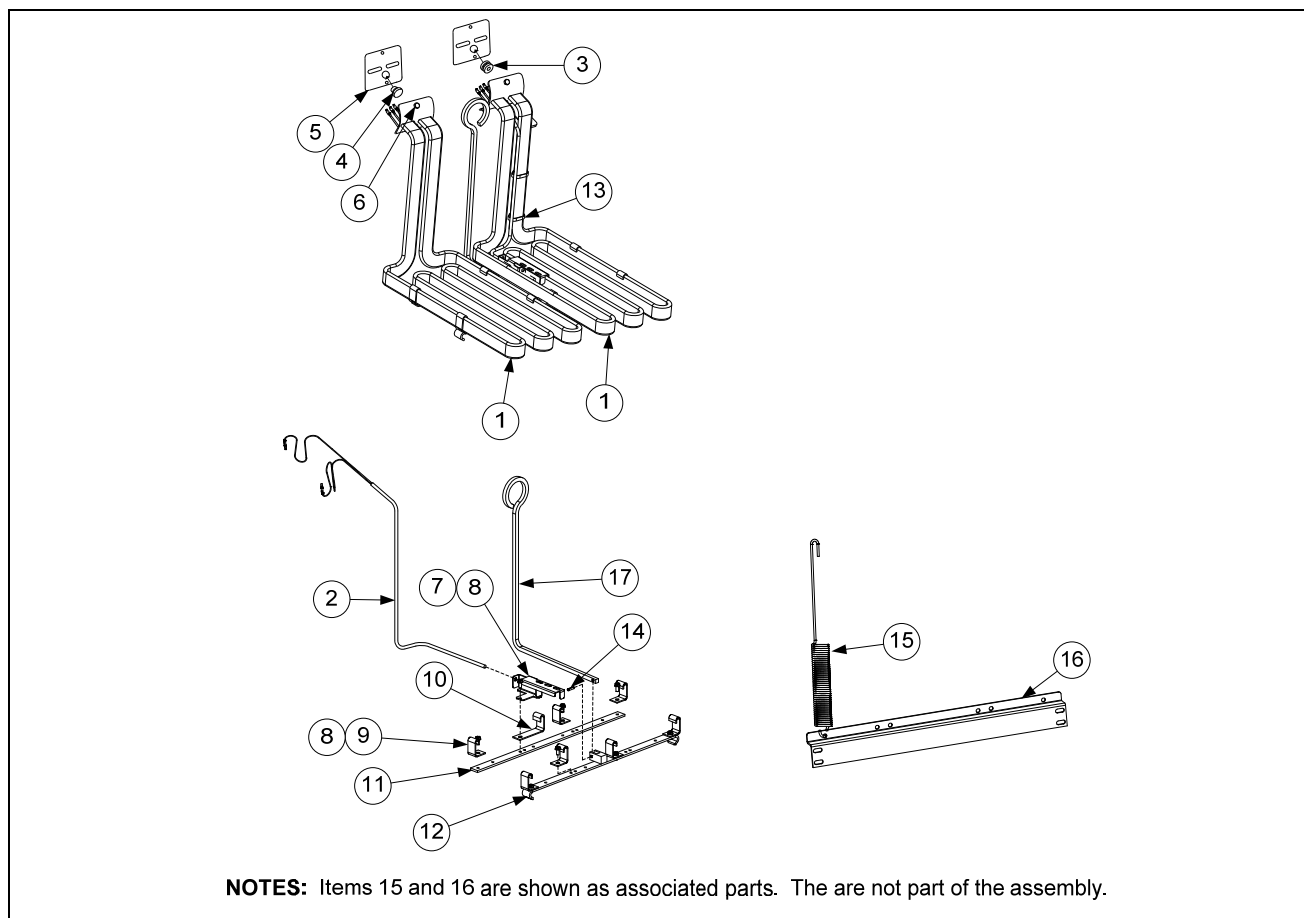
| ITEM | PART # | COMPONENT |
|------|---------|---|
| | 1086999 | Box, Contactor Assembly 1814FQ Delta |
| √ 1 | 8072284 | Contactor, 24V Coil 50 Amp Mechanical (Heat) |
| √ 2 | 8101202 | Contactor, 24V 40 Amp Mechanical (Latch) |
| 3 | 8075625 | Cord Set, 4 Gauge, 4 Wire with Strain Relief |
| 4 | 1066031 | Harness Assembly, RE FV Contactor Box Control |
| 5 | 1080158 | Harness Assembly, 208/240V Contactor Box Power |
| * | 1068932 | Bracket Assembly, Element Mounting |
| * | 2401440 | Cover, Contactor Box |

* Not illustrated

√ Recommended parts

1.3.3 Heating Element Assemblies and Associated Parts

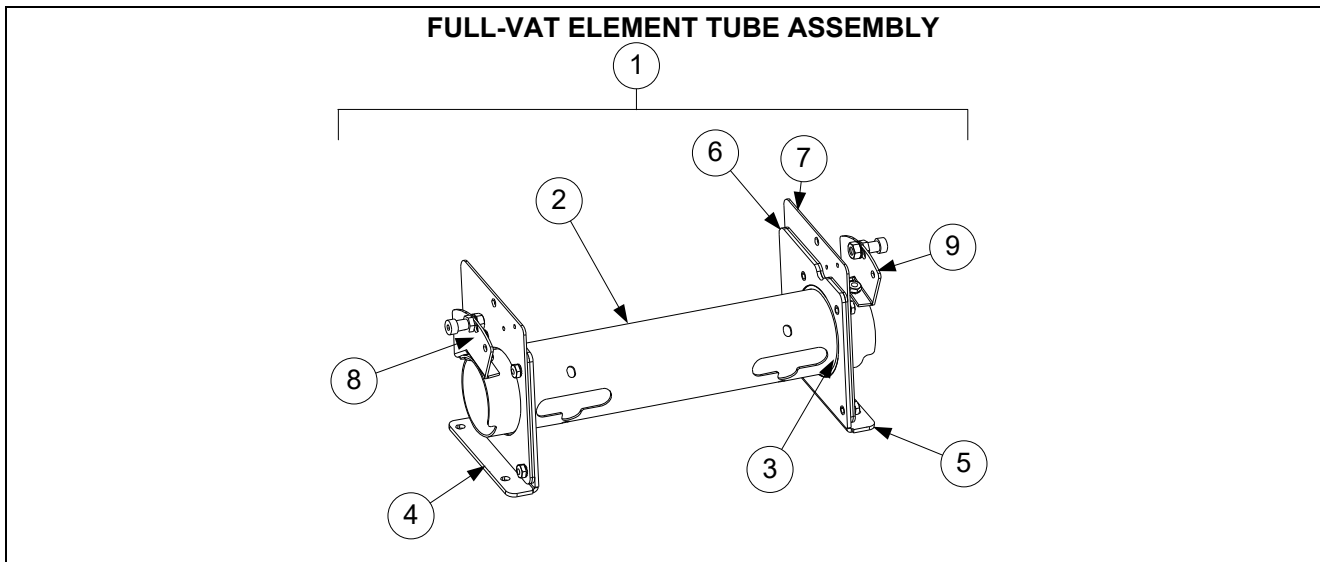
1.3.3.1 Element Assemblies and Hardware



| ITEM | PART # | COMPONENT |
|------|---------|--|
| 1 | | Element Kits – includes gaskets, grommets, tie wraps, screws and nuts. |
| | 8262557 | 208V 8.5 kW |
| | 8262707 | 230V 8.5 kW |
| | 8262558 | 240V 8.5kW |
| √ 2 | 8262652 | Probe, Temperature RE1817, 1814 – includes tie wraps and grommet. |
| 3 | 8160681 | Grommet, Probe |
| 4 | 8160480 | Plug, .375-inch Dome |
| 5 | 8160688 | Gasket, Element |
| 6 | 8091003 | Screw, 10-32 X 3/8-inch Hex Head SS |
| * | 8090766 | Nut, 10-32 Keps Hex Head SS |
| * | 2304028 | Wrench, Element Tube Nut Spanner |
| 7 | 2300784 | Bracket, Temperature Probe 8.5 kW (17kW) |
| 8 | 8090518 | Screw, 8-32 X 3/8-inch Slotted Hex Head |
| 9 | 9102042 | Clamp, Element (Short) |
| 10 | 2300781 | Clamp, Element (Long) |
| 11 | 2304902 | Support, Full-Vat Element Rear |
| 12 | 8236711 | Bracket, Element 1814 |
| 13 | 8090567 | Tie-Wrap, Metal |
| 14 | 8101212 | Pin, .125 X .50-inch Slotted |
| 15 | 8103030 | Spring, Element Lift Left |
| | 8103031 | Spring, Element Lift Right |
| 16 | 2204302 | Bracket, Lower Spring |
| 17 | 8101233 | Handle, Element Lift |

√ Recommended parts

1.3.3.2 Element Tube Assemblies

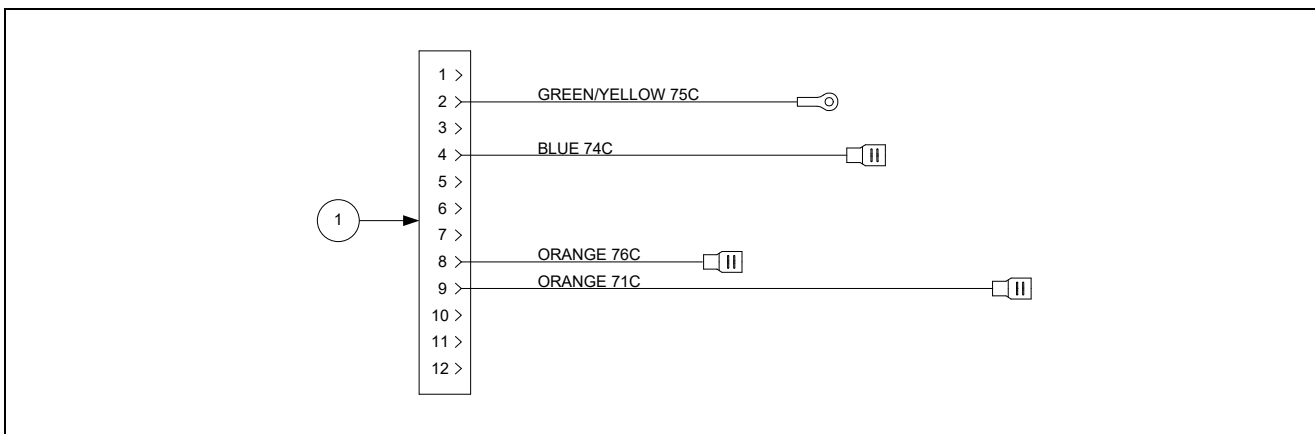


| ITEM | PART # | COMPONENT |
|------|---------|---|
| 1 | 1080293 | Tube Assembly, Full-Vat 17 kW |
| 2 | 8102992 | Tube, Full Vat Element Mounting |
| 3 | 8102993 | Bushing, Tube End Teflon |
| 4 | 1080315 | Bracket Assembly, LH Element Tube Support |
| 5 | 1080316 | Bracket Assembly, RH Element Tube Support |
| 6 | 2200122 | Plate, Element Tube Support Inner |
| 7 | 2200123 | Plate, Element Tube Support Outer |
| 8 | 1066569 | Bracket Assembly, LH Upper Spring |
| 9 | 1066570 | Bracket Assembly, RH Upper Spring |
| * | 8262598 | Kit, Tilt Switch |
| * | 8074742 | Switch, Long Lever High Temp |

* Not illustrated

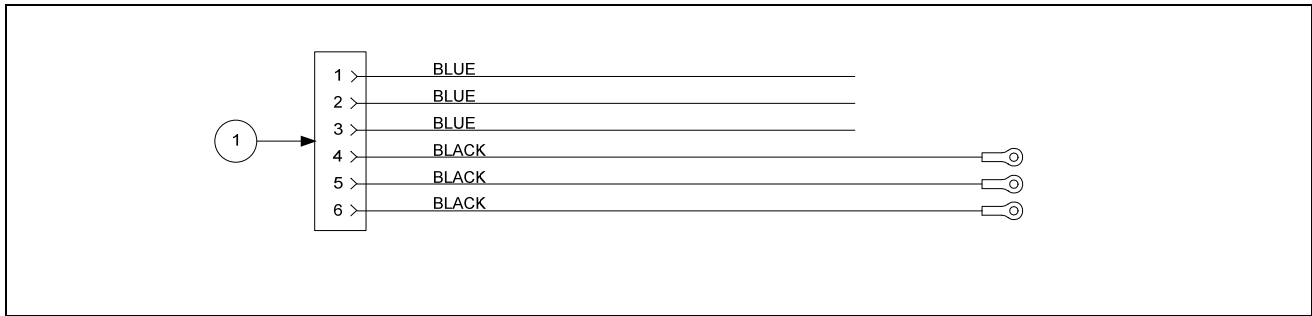
1.3.4 Wiring

1.3.4.1 Contactor Box Wiring Assemblies – 12-Pin Full-Vat C-1



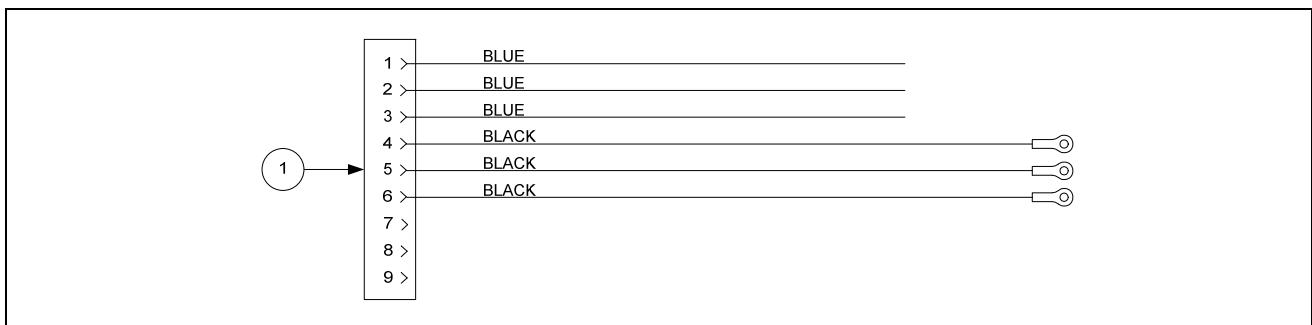
| ITEM | PART # | COMPONENT |
|------|-----------|--|
| 1 | 1066031SP | Contactor Box Harness Assembly Full Vat Standard |

1.3.4.2 Contactor Box Wiring Assembly – 6-Pin (Left Element)



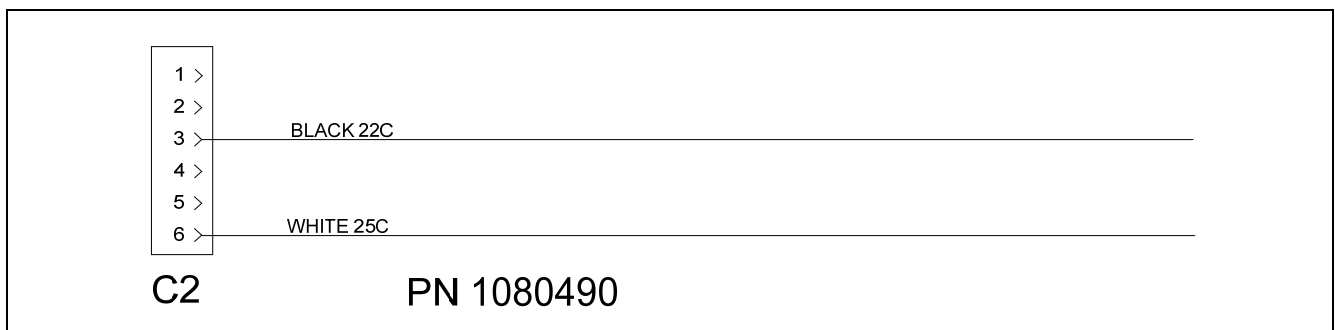
| ITEM | PART # | COMPONENT |
|------|-----------|-------------------------------|
| 1 | 1068744SP | 14/17 kW Mechanical Contactor |

1.3.4.3 Contactor Box Wiring Assembly – 9-Pin (Right Element)

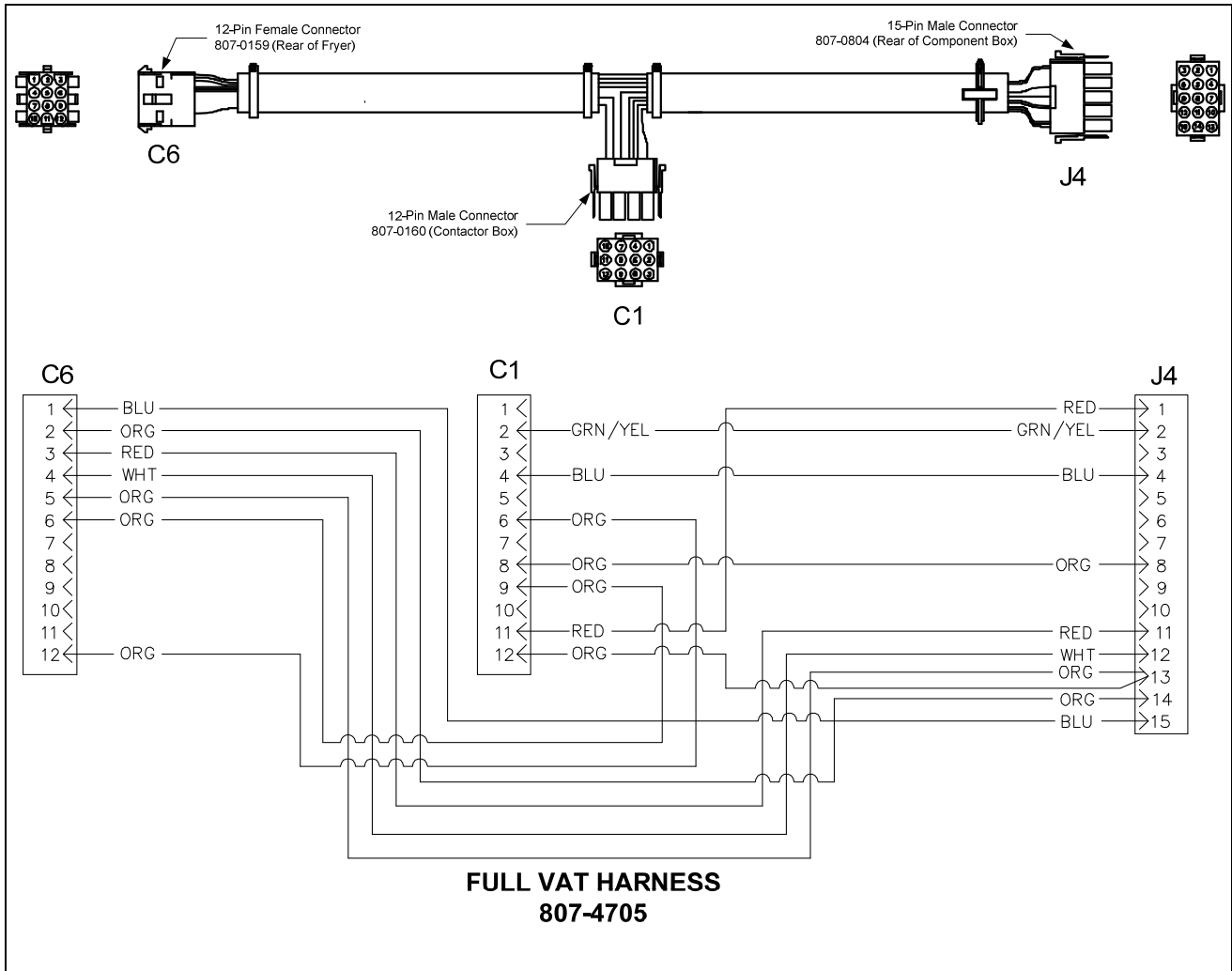


| ITEM | PART # | COMPONENT |
|------|-----------|-------------------------------|
| 1 | 1068745SP | 14/17 kW Mechanical Contactor |

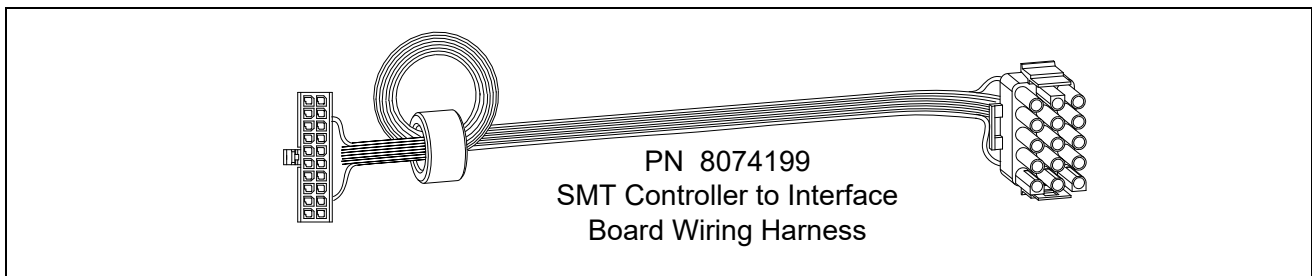
1.3.4.4 Component Box to Filter Pump Harness



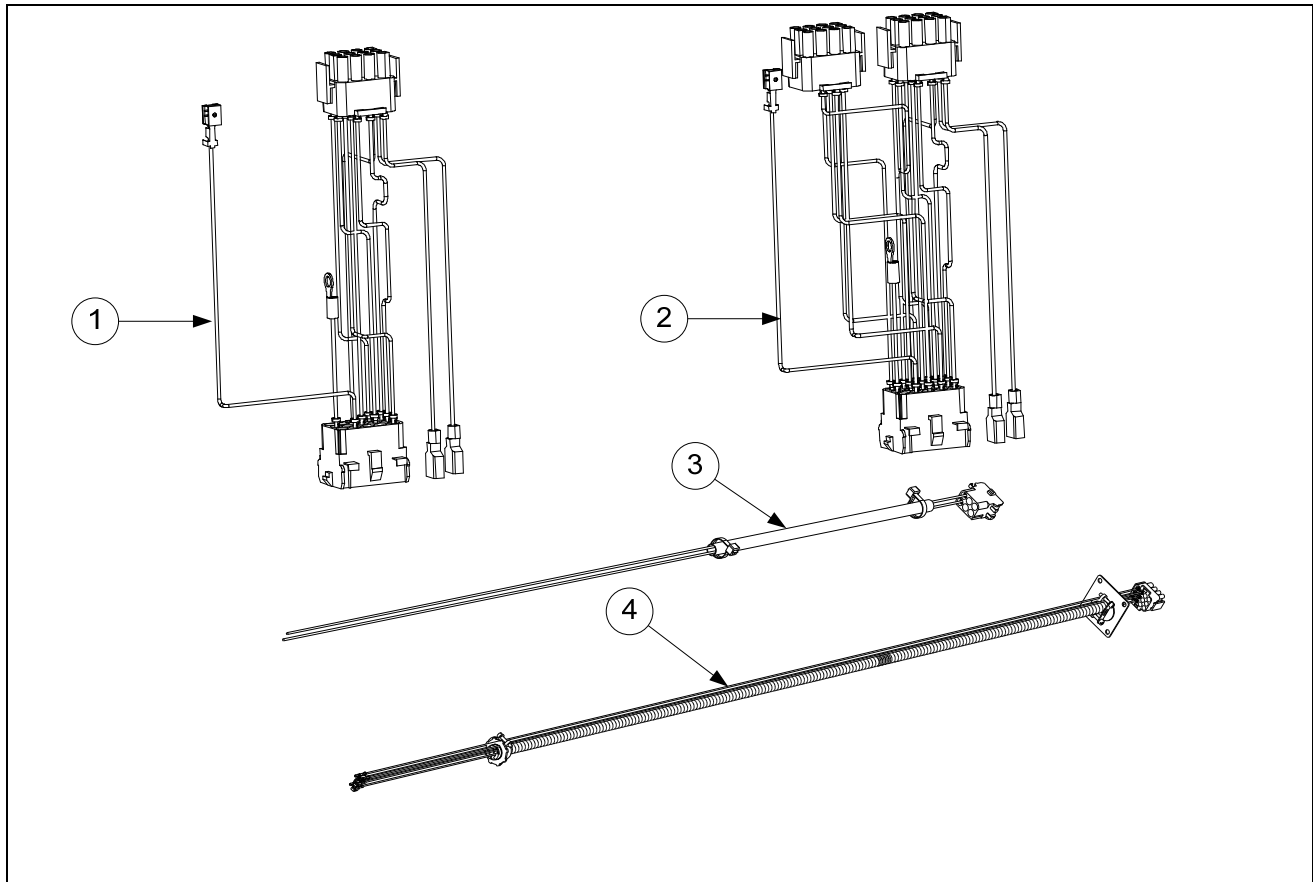
1.3.4.5 Main Wiring Harness



1.3.4.6 Interface Board to Controller Wiring Harness – 15-Pin

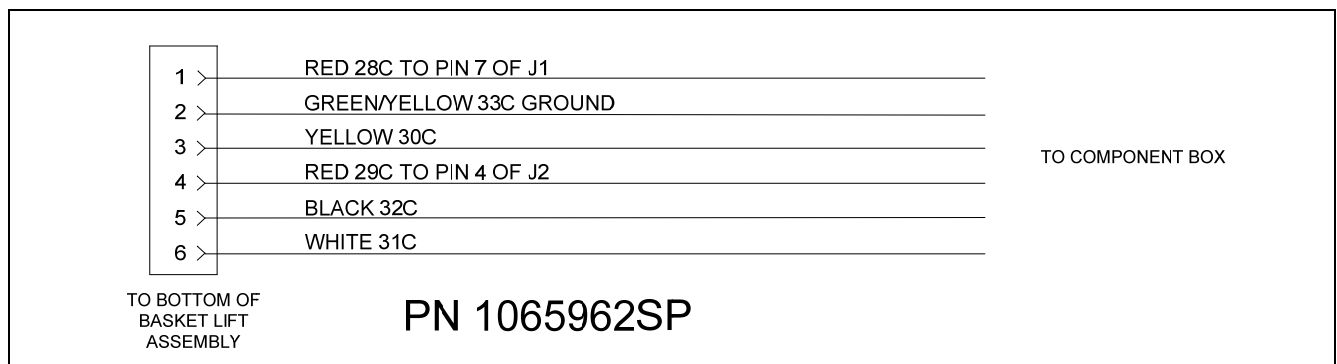


1.3.4.7 Component Box, Filter Pump and Basket Lift Wiring Harnesses

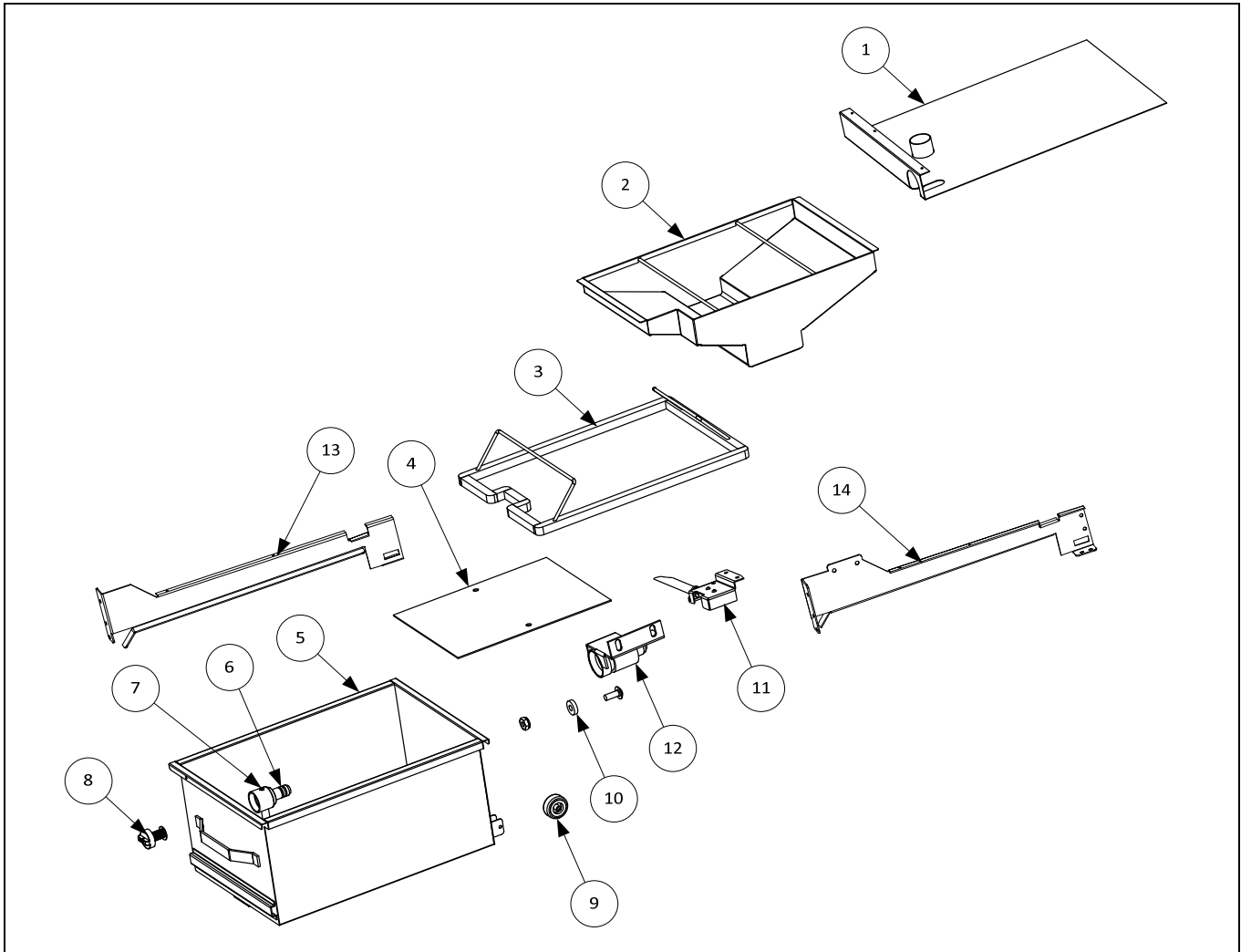


| ITEM | PART # | COMPONENT |
|------|-----------|---|
| 1 | 1065750SP | Full Vat Control Harness J4 to J2 (<i>Standard</i>) |
| 2 | 1080490 | Filter Pump C2 to Component Box Wiring Harness |
| 3 | 1065962SP | Basket Lift Harness Assembly (<i>Standard</i>) |

1.3.4.8 Basket Lift Harness



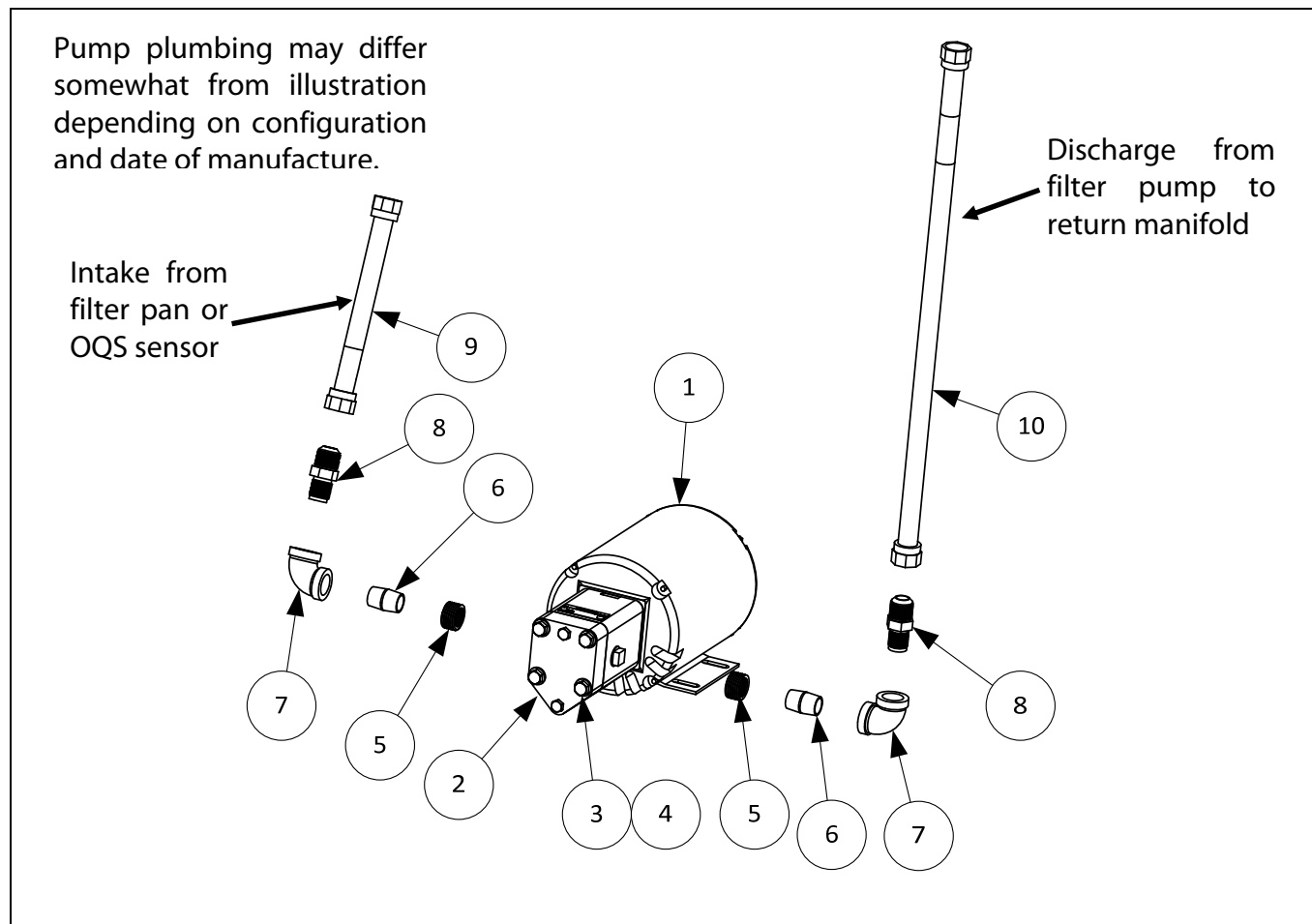
1.4 Filtration System Components
1.4.1 Filter Pan and Associated Components



| ITEM | PART # | COMPONENT |
|------|-----------|--|
| 1 | 8239205 | Lid, Filter Pan Fixed |
| | 1087029SP | Pan, Filter Assy (includes items 2-10) |
| 2 | 130001292 | Crumb Tray |
| 3 | 8103414 | Hold-Down Ring 13.85 x 20.80 |
| 4 | 2204446 | Sana Grid Filter Screen |
| 5 | 8239209 | Pan, Filter with casters |
| √ 6 | 8263288 | O-Ring (Pkg. of 6; used with Item 5) |
| 7 | 8130568 | Plug, 1/8" Socket Head Pipe (used with Item 5; two required) |
| 8 | 8238335 | Screen, Suction Line Filter |
| 9 | 8122337 | Caster, 2" Rigid |
| 10 | 8103007 | Magnet, Pull Ring |
| 11 | 1087010 | Assembly, Filter Pan Switch |
| √ * | 1065876SP | Sensor, Magnet |
| 12 | 8239201 | Suction Tube |
| 13 | 2401449 | Support, Left Filter Pan |
| 14 | 2401450 | Support, Right Filter Pan |

* Not illustrated
 √ Recommended parts

1.4.2 Filter Pump and Associated Components



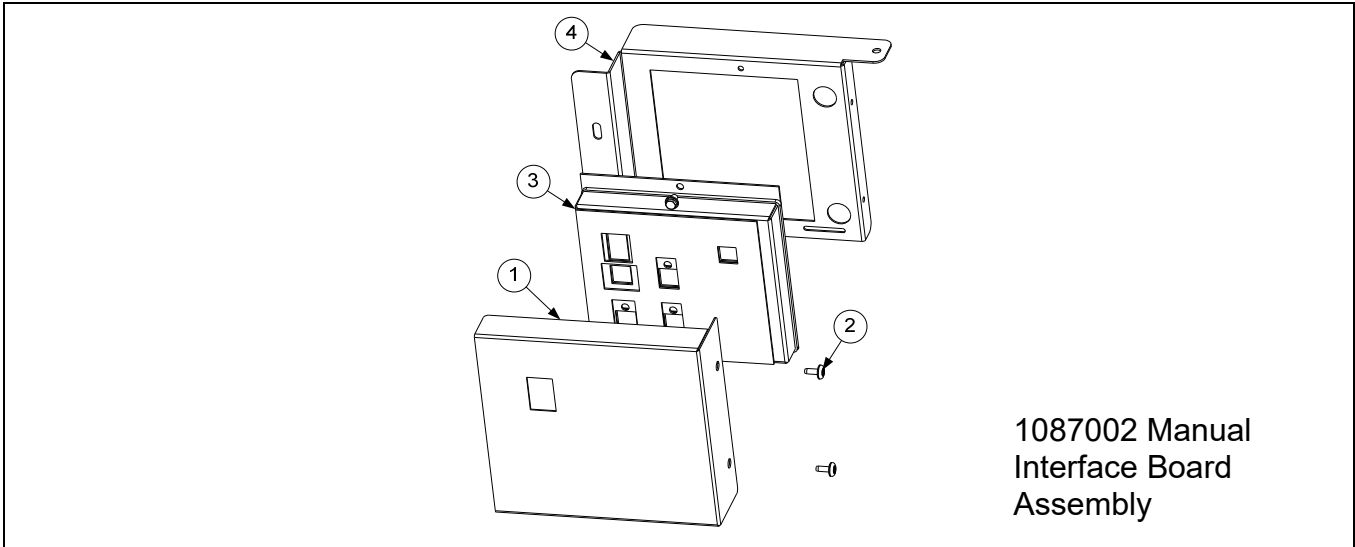
| ITEM | PART # | COMPONENT |
|------|-----------|---|
| 1 | | Motor and Gasket Kit |
| | 8261785 | 100V 50/60 Hz |
| | 8261712 | 115V 50/60 Hz |
| | 8261756 | 208V 50/60 Hz |
| | 8261270 | 220-240V 50/60 Hz |
| | 8261755 | 250V 50/60 Hz |
| √ 2 | 8263192 | Pump and Gasket Kit, 8 GPM |
| | 8160093 | Gasket, Pump/Motor |
| 3 | 8091062 | Cap Screw, 5/16"-18 5.50" NC Hex (<i>Connects pump to motor</i>) |
| 4 | 8090194 | Washer, Flat 5/16" |
| 5 | 8130763 | Bushing, 3/4" OD x 1/2" ID NPT Flush |
| 6 | 8130022 | Nipple, 1/2" x Close NPT BM |
| 7 | 8130062 | Elbow, 1/2" 90° BM |
| 8 | 8101668 | Adapter, 5/8" to 1/2" NPT Male |
| 9 | 8101067 | Flexline, 5/8" OD x 8.50-inch Oil Return (to filter suction tube or OQS sensor if applicable) |
| 10 | 8101068 | Flexline, 5/8" OD x 21.50-inch Oil Return (to oil return manifold) |
| * | 1065912SP | Heater Strip Assembly, 208-250V 25W 18" |

* Not illustrated

√ Recommended parts

1.5 Filtration Electronic Components

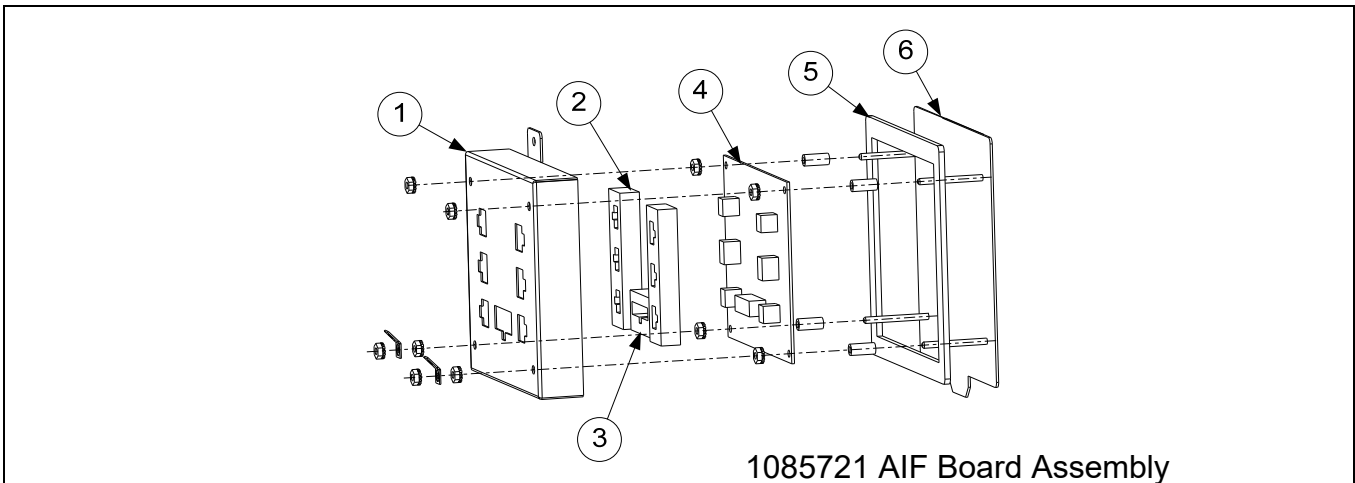
1.5.1 Manual Interface Board (MIB) Assembly



| ITEM | PART # | COMPONENT |
|------|----------------|------------------------------|
| | 1087002 | Assembly, MIB 1814FQE |
| 1 | 2401445 | Cover, 1814FQ MIB |
| 2 | 8091021 | Screw, 10 x 3/8" Torx Pan |
| √ 3 | 1085772 | Assembly, MIB w/ Frame |
| | 8074481 | Overlay |
| 4 | 2401444 | Bracket, 1814FQ MIB Mounting |

√ Recommended parts

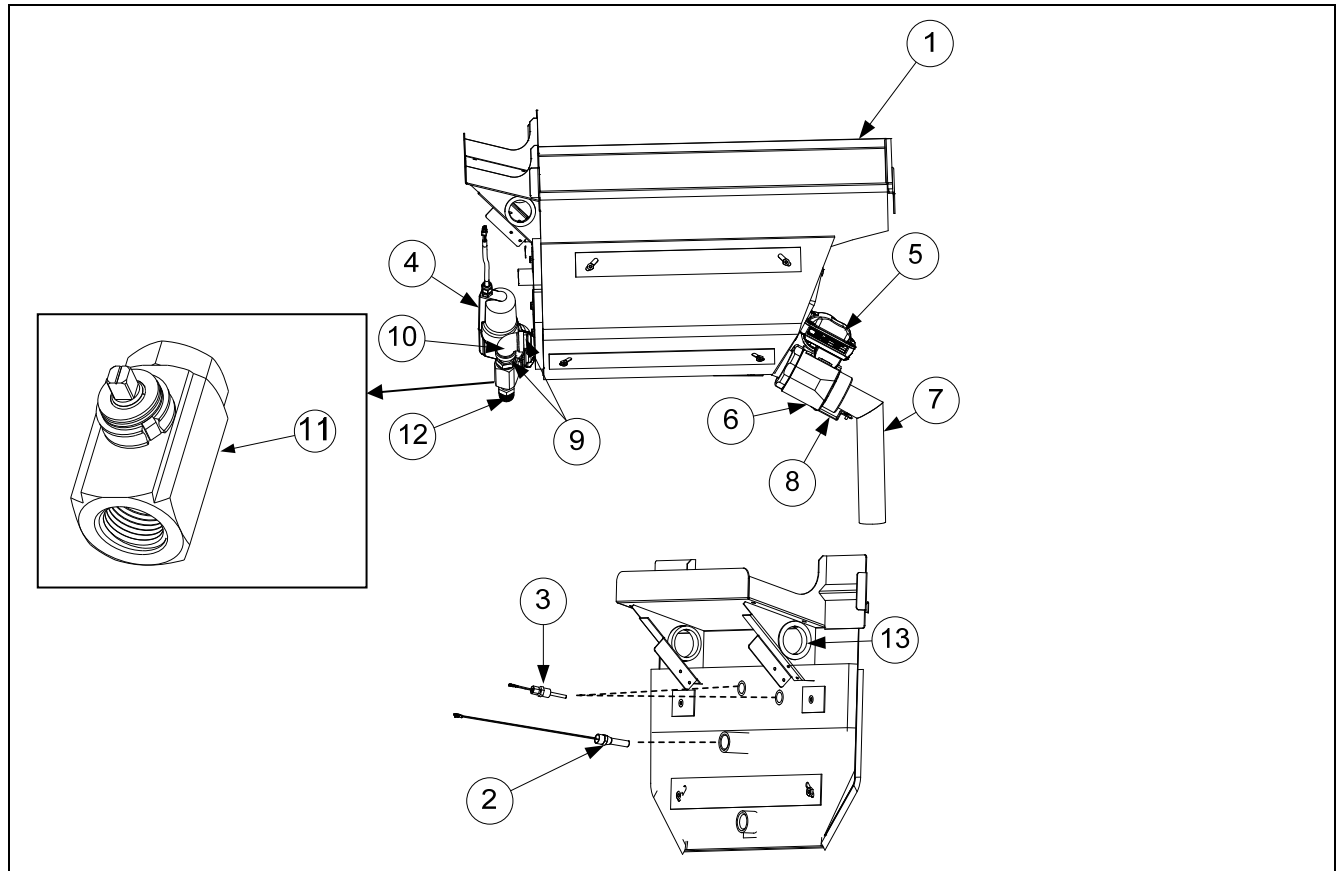
1.5.2 Automatic Intermittent Filtration (AIF) Board Assembly



| ITEM | PART # | COMPONENT |
|------|----------------|-------------------------|
| √ | 1085721 | Assembly, AIF |
| 1 | 8241991 | Cover, AIF Board |
| 2 | 8160814 | Gasket, AIF Board |
| 3 | 8160815 | Gasket, Computer Board |
| 4 | 1085720 | Board, AIF |
| 5 | 8160820 | Seal, AIF Board |
| 6 | 1080097 | Panel Assembly, AIF Box |

√ Recommended parts

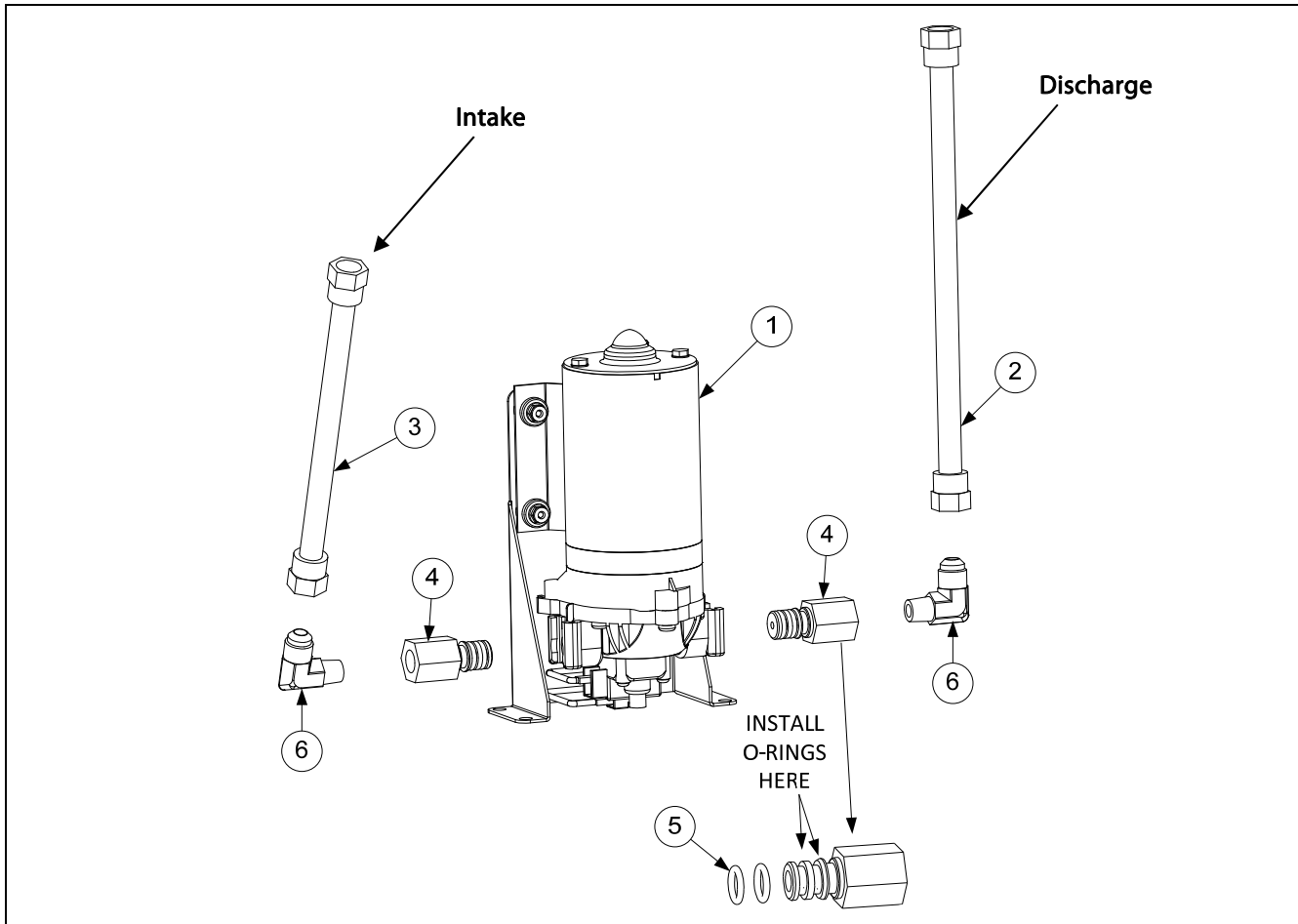
1.6 Frypot Assemblies and Associated Parts



| ITEM | PART # | COMPONENT |
|------|---------|---|
| 1 | 1087034 | Frypot, FQ1814 |
| √ 2 | | Thermostat Assembly, High-Limit Long Standard |
| | 8262454 | Non-CE Full Vat 425°F (218°C) (17kW FV and 14kW FV) (Color Coded Black 8067543) |
| | 8262455 | CE Full Vat 415°F (213°C) (14kW and 17kW CE) (Color-Coded Yellow 8068132) |
| √ 3 | 8262706 | Probe, Kit AIF/ATO RTD |
| √ 4 | 8074961 | Actuator, Rotary 24VDC (#1) Blue |
| √ 5 | 8074962 | Actuator, Rotary 24VDC (#2) Black |
| √ 6 | 8103798 | Valve, 1½" Drain Rotary Actuator (Drain) |
| 7 | 8239206 | Drain, Spout 1814E |
| 8 | 2401459 | Strap, Drain FQ1814E |
| 9 | 8130022 | Nipple, ½" x Close NPT BM |
| 10 | 8130062 | Elbow, ½" Blk 90° |
| √ 11 | 8103754 | Valve, ½" NPT Rotary Actuator (Return) |
| 12 | 8101668 | Adaptor, Male ⅝" OD x ½" |
| 13 | 8070128 | Bushing Insulating Heyco |

√ Recommended parts

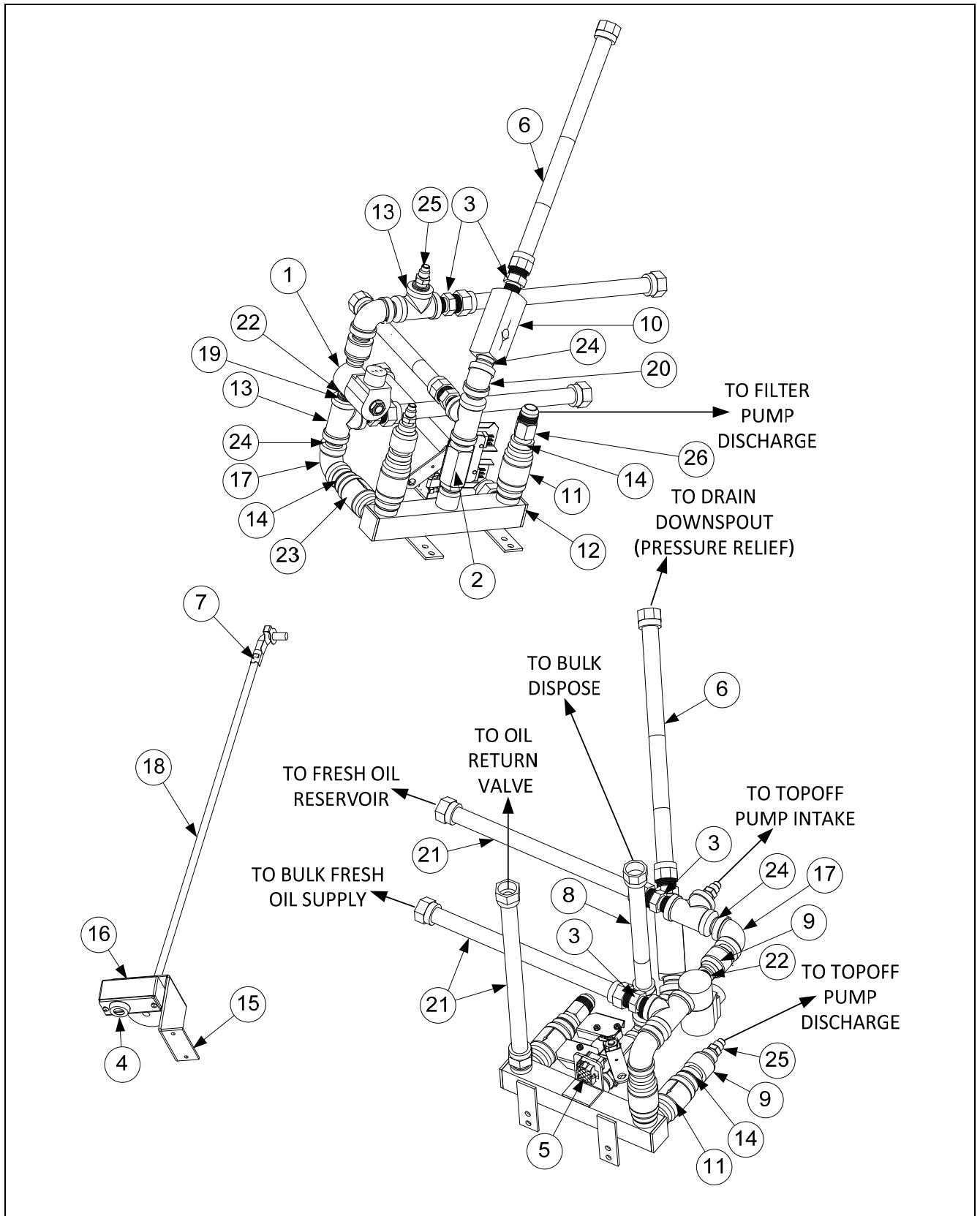
1.7 Auto Top-Off Pump Assembly



| ITEM | PART # | COMPONENT |
|------|---------|--|
| √ 1 | 1080639 | Pump, Shurflo 24VAC |
| 2 | 8104464 | Flexline, 1/2" OD x 10-inch (Discharge to oil return manifold) |
| 3 | 8103591 | Flexline, 1/2" OD x 8-inch (In from bulk fresh oil solenoid) |
| 4 | 8103666 | Fitting, Shurflo Pump |
| 5 | 8160782 | O-Ring, Viton #111 |
| 6 | 8130940 | Elbow, 1/4" NPT x 3/8" Flare |

√ Recommended parts

1.8 Oil Plumbing Components
 1.8.1 Bulk Manifold and Accessories



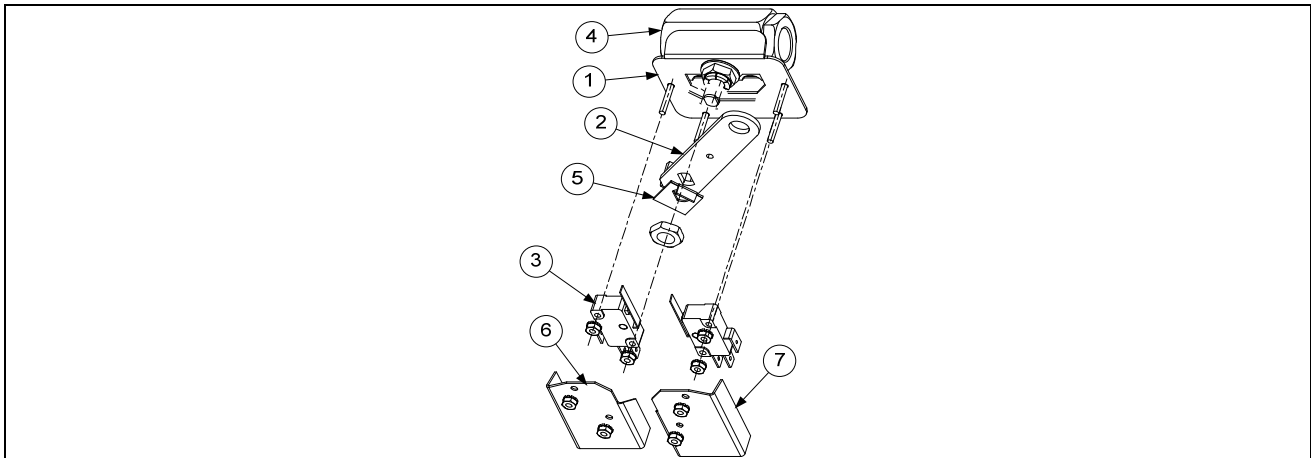
1.8.1 Bulk Manifold and Accessories cont.

| ITEM | PART # | COMPONENT |
|------|---------|--|
| √ 1 | 1066830 | Solenoid Assembly |
| 2 | 1080446 | Valve, Bulk Waste Assembly (see section 1.8.2 for parts) |
| 3 | 8101668 | Adaptor, Male 5/8" OD x 1/2" |
| 4 | 8103587 | Lock and Key, RTI Waste Handle |
| 5 | 8075786 | Harness, Bulk Oil - MIB connection |
| * | 1085398 | Harness, Bulk Oil Pigtail |
| 6 | 8101057 | Flexline, 5/8" OD x 13-inch long |
| 7 | 8090601 | Clip, Clevis Left Rod End |
| 8 | 8101067 | Flexline, 5/8" OD x 8.50-inch long |
| 9 | 8130555 | Reducer, Bell Fitting, 1/2" to 1/4" NPT BM |
| 10 | 8103531 | Valve, Check 20 PSI RTI bypass |
| 11 | 8100667 | Valve, Check 1/2" NPT 1 PSI |
| 12 | 8104495 | Manifold, FQ1814E Bulk/Return |
| 13 | 8130003 | Tee, 1/2" x 1/2" x 1/2" BM |
| 14 | 8103738 | Adaptor, Check Valve Close Nipple |
| 15 | 2205656 | Brace, RTI Handle |
| 16 | 2208664 | Cover, Handle Lock |
| 17 | 8130062 | Elbow, 1/2" BM 90° |
| 18 | 8239213 | Handle, Bulk Waste |
| 19 | 8130304 | Bushing, 1/2" x 1/4" |
| 20 | 8130345 | Elbow, 1/2" Blk 45° |
| 21 | 8101055 | Flexline, 5/8" OD x 11.50-inch long |
| 22 | 8130838 | Nipple, 1/4" NPT |
| 23 | 8103583 | Valve, Check 1/2" NPT 4 PSI |
| 24 | 8130022 | Nipple, 1/2" x close NPT BM |
| 25 | 8103270 | Fitting, 3/8" Flare x 1/4" NPT |
| 26 | 8101669 | Adaptor, Female 5/8" OD x 1/2" |

* Not illustrated

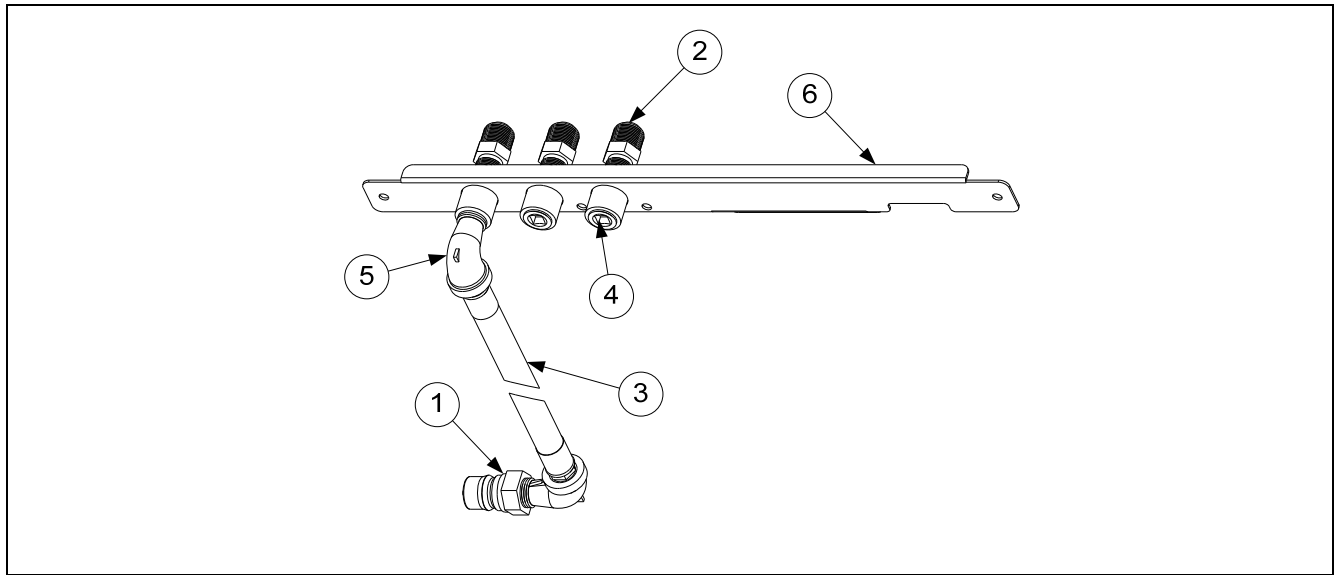
√ Recommended parts

1.8.2 Bulk Dispose Waste Valve



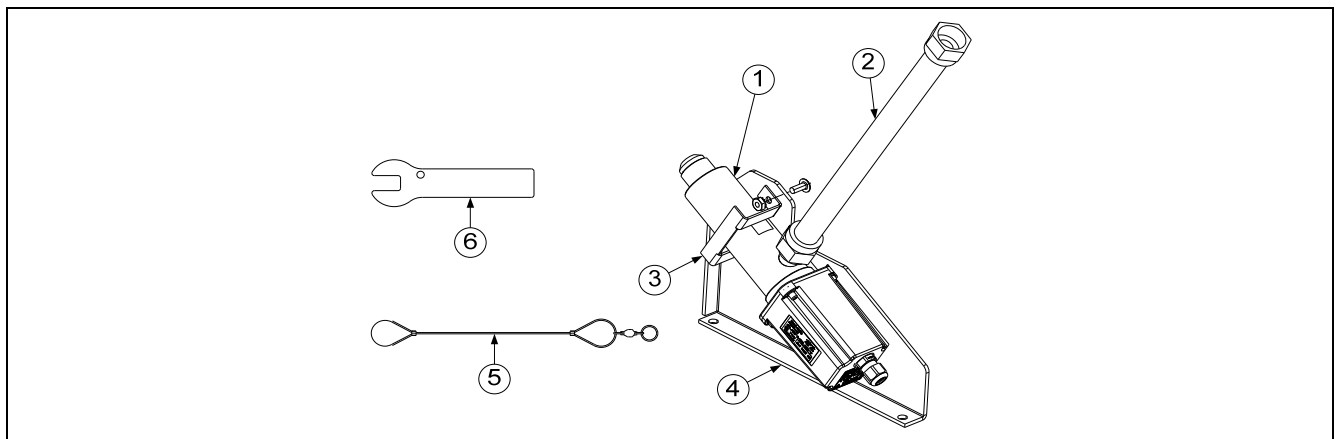
| ITEM | PART # | COMPONENT |
|------|---------|----------------------------|
| | 1080446 | Valve, Dispose Waste |
| 1 | 1080445 | Bracket, RTI Waste Valve |
| 2 | 2205615 | Handle, RTI Waste Valve |
| 3 | 8074936 | Microswitch, Gold Sealed |
| 4 | 8100278 | Valve, 1/2" Ball |
| 5 | 9002935 | Retainer, Nut Return Valve |
| 6 | 9012348 | Cover, DV Safety Switch |
| 7 | 9022348 | Cover, DV Safety Switch |

1.8.3 Bulk Connection



| ITEM | PART # | COMPONENT |
|------|---------|-----------------------------------|
| 1 | 8100487 | Coupling, Male Quick Disconnect |
| 2 | 8101668 | Adapter, 5/8" to 1/2" NPT Male |
| 3 | 8103823 | Hose |
| 4 | 8130463 | Plug, Pipe 1/2" NPT BM |
| 5 | 8130616 | Elbow, Street 1/2" x 1/2" NPT 90° |
| 6 | 8239204 | Mount, FQ1814E Oil Connection |

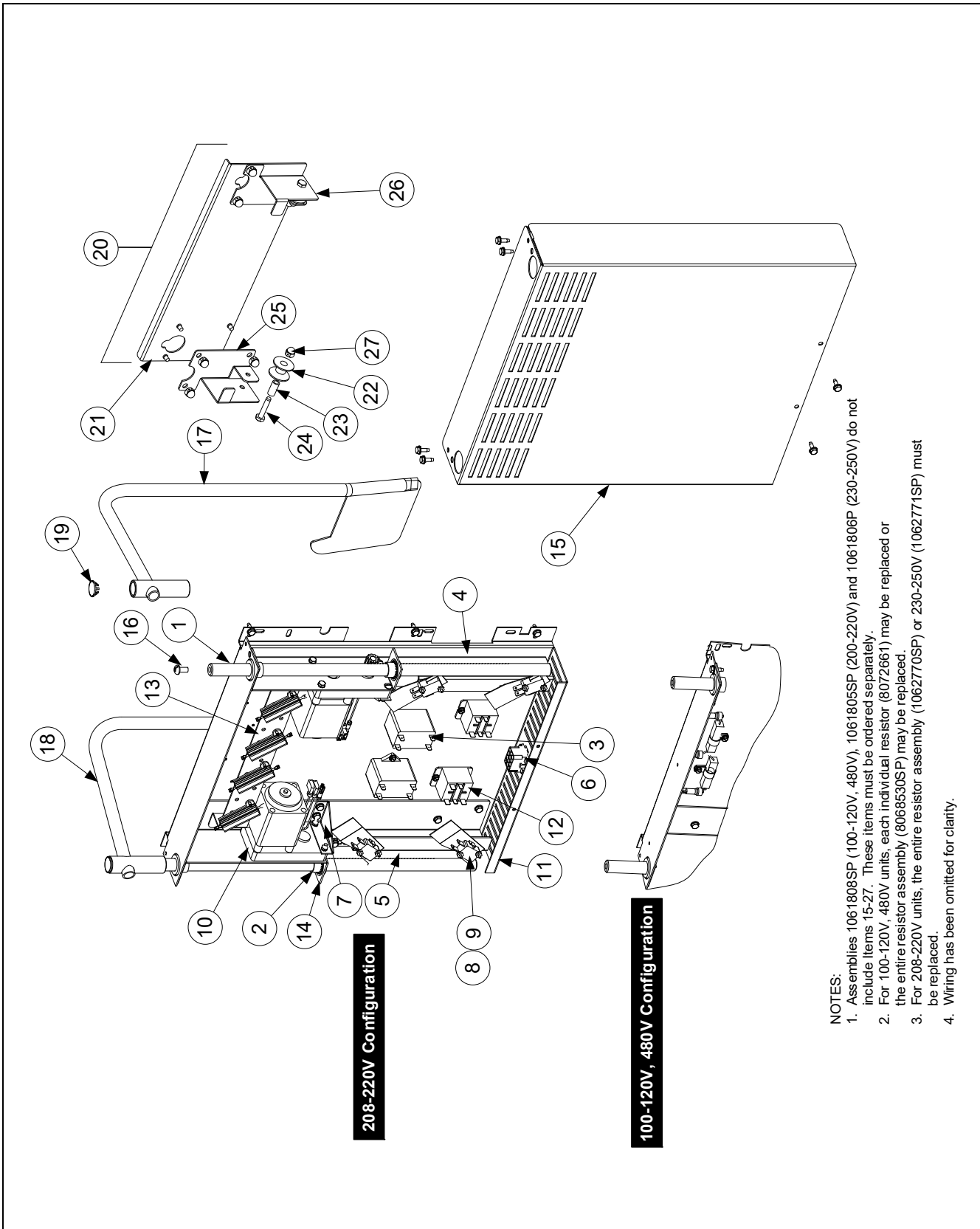
1.8.4 Oil Quality Sensor (OQS) and Associated Parts



| ITEM | PART # | COMPONENT |
|------|---------|-------------------------------------|
| 1 | 8263292 | Sensor, FilterQuick OQS Replacement |
| 2 | 8101055 | Flexline, 5/8" OD x 11.5-inch |
| 3 | 2401385 | Retainer, OQS Sensor FQ |
| 4 | 2401456 | Mount, OQS Sensor FQ1814E |
| 5 | 8104167 | Lanyard, In-Line Filter |
| 6 | 2401086 | Wrench, Pre-Filter Cap |

1.9 Basket Lift Assembly and Associated Parts

1.9.1 Basket Lift Assembly and Associated Parts – Jan. 2002 to Jan. 2017



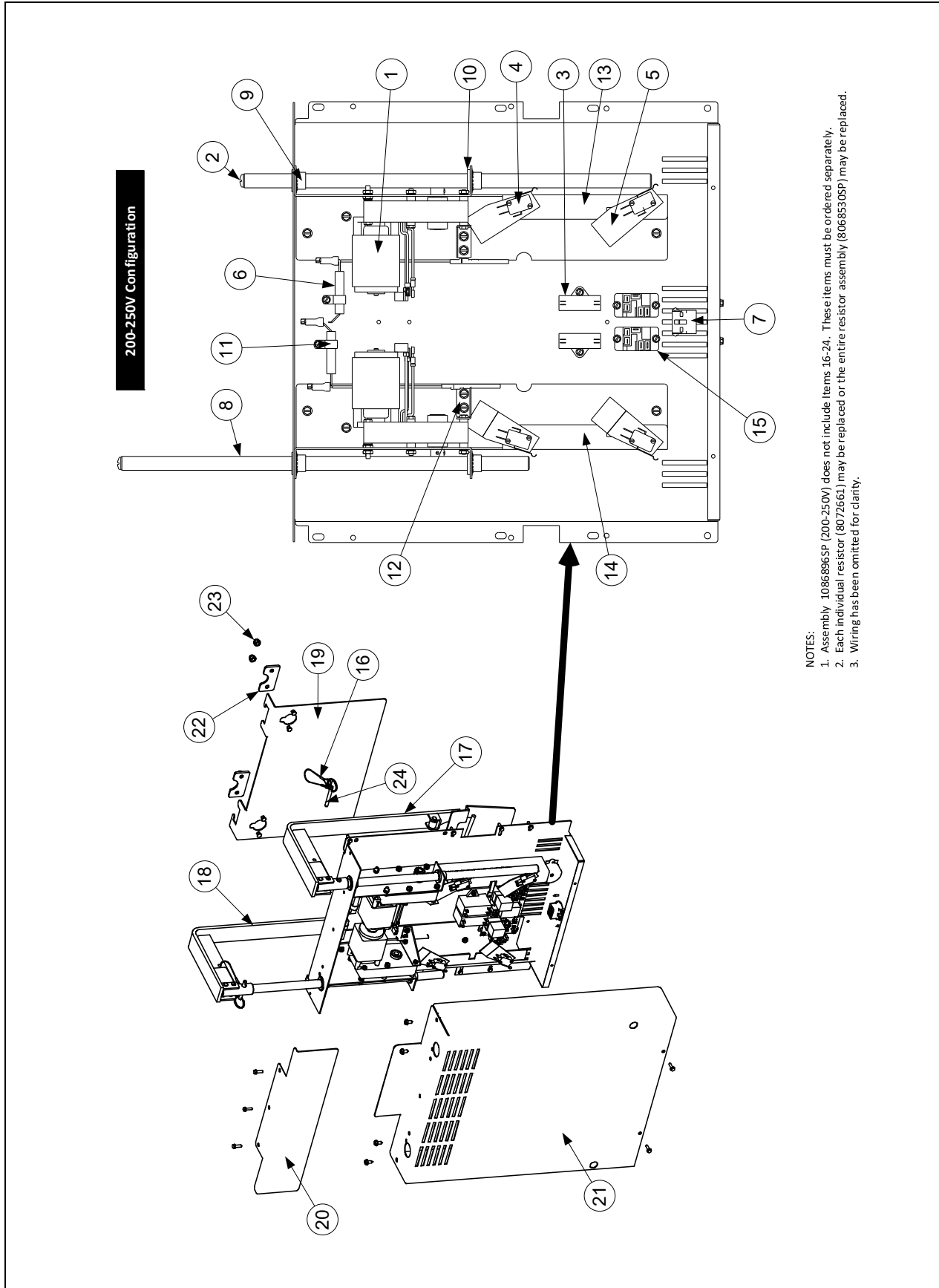
- NOTES:**
1. Assemblies 1061808SP (100-120V, 480V), 1061805SP (200-220V) and 1061806P (230-250V) do not include items 15-27. These items must be ordered separately.
 2. For 100-120V, 480V units, each individual resistor (8072661) may be replaced or the entire resistor assembly (8068530SP) may be replaced.
 3. For 208-220V units, the entire resistor assembly (1062770SP) or 230-250V (1062771SP) must be replaced.
 4. Wiring has been omitted for clarity.

1.9.1 Basket Lift Assembly and Associated Parts - Jan. 2002 to Jan. 2017

| ITEM | PART # | COMPONENT |
|------|-----------|---|
| | | Basket Lift Assemblies (see Note 1 in illustration) |
| | 1061808SP | Basket Lift Assy, 100-120/480VAC w/Relay (Items 1-20) Assembly not shown |
| | 1061805SP | Basket Lift Assy, 200-220VAC w/Relay (Items 1-20) Assembly shown |
| * | 1061806SP | Basket Lift Assy, 230-250VAC w/Relay (Items 1-20) Assembly not shown |
| 1 | 8101012 | Rod, Basket Lift |
| 2 | 8130035 | Bushing, Bronze |
| 3 | 8072513 | Capacitor, 12.5 μ Fd 330VAC |
| 4 | 9018499 | Chassis, Left Basket Lift |
| 5 | 9028499 | Chassis, Right Basket Lift |
| 6 | 8070159 | Connector, 12-Pin Female |
| 7 | 9005529 | Gusset, Basket Lift Motor |
| 8 | 8120442 | Insulation, Microswitch |
| 9 | 8072572 | Microswitch |
| 10 | 8065964SP | Motor Assy, 208-240VAC Modular Basket Lift |
| 11 | 2002942 | Mount, Modular Basket Lift |
| 12 | 8071683 | Relay, 12VDC |
| 13 | | Resistor Assy |
| | 8068530SP | 100-120V Modular Basket Lift (see Note 2 in illustration) |
| | 1062770SP | 208-220VAC Modular Basket Lift (see Note 3 in illustration) |
| * | 1062771SP | 230-250VAC Modular Basket Lift (see Note 3 in illustration) |
| 14 | 8090082 | Ring, Bushing Retainer |
| 15 | 9104776 | Cover, Modular Basket Lift Rear S/S (Use 9004776 for Mild Steel) |
| 16 | 8090127 | Screw, ¼"-20 X ½" Slotted Round Head |
| 17 | 8237986 | Arm, Left Basket Lift |
| 18 | 8237987 | Arm, Right Basket Lift |
| 19 | 8100179 | Button, Plug |
| 20 | 1082743SP | Roller Assy, Basket Lift |
| 21 | 1082860 | Mount, Basket Lift Roller |
| 22 | 8100194 | Roller, Basket Lift |
| 23 | 8100374 | Spacer, Basket Lift Roller |
| 24 | 8090508 | Bolt, ¼"-20 X 1¼ " |
| 25 | 8237980 | Guide, Basket lift Left |
| 26 | 8238023 | Guide, Basket lift Right |
| 27 | 8090990 | Nut, ¼-20 Cap |
| * | 8241477 | Tray, Drip Right |
| * | 8241476 | Tray, Drip Left |
| | | Wire Assemblies |
| * | 1065962 | Harness, RE BL Interface (from Basket Lift Assy to control box) |
| * | WIR0166 | Wire Assy, 100-250VAC Basket Lift |

* Not illustrated

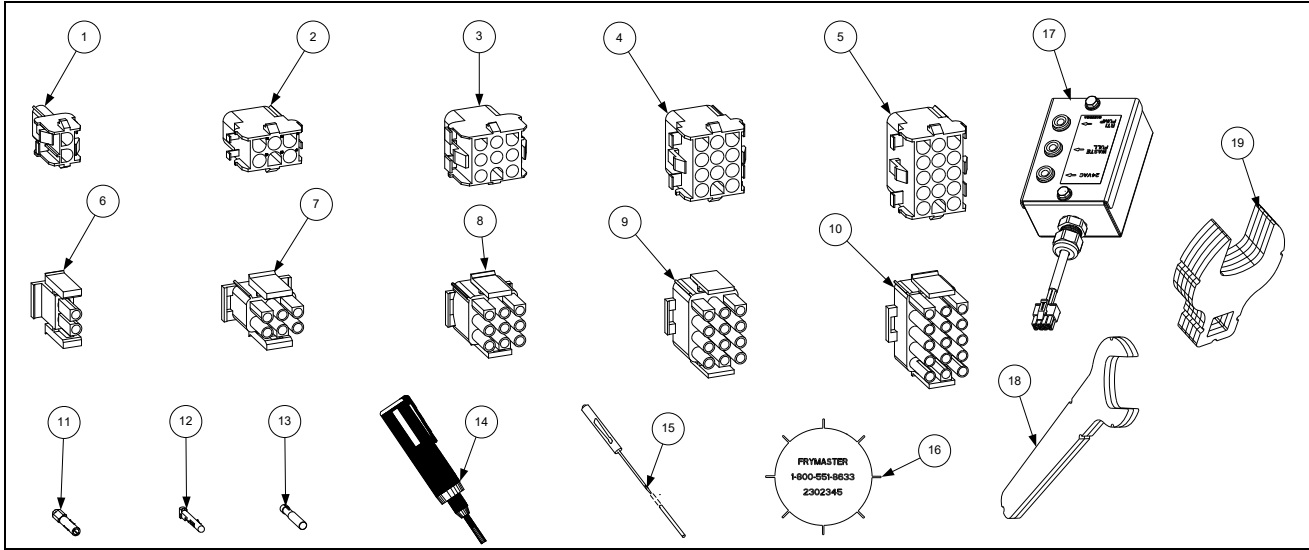
1.9.2 Basket Lift Assembly and Associated Parts – 200V-250V – After Jan. 2017 (Modular)



1.9.2 Basket Lift Assembly and Associated Parts – 200V-250V – After Jan. 2017 (Modular)

| ITEM | PART # | COMPONENT |
|------|-----------|---|
| | | Basket Lift Assemblies (see <i>Note 1</i> in illustration) |
| A | 1086896SP | Basket Lift Assy, 200-250VAC (Items 1-15) |
| 1 | 1085031SP | Motor Assy, 208-250VAC Modular Basket Lift |
| 2 | 8090129 | Screw, 1/4-20 X 5/8 Slotted Round Head |
| 3 | 8076253 | Capacitor, 4.0 μ Fd 440VAC |
| 4 | 8072572 | Microswitch |
| 5 | 8120442 | Insulation, Microswitch Box |
| 6 | 8068530SP | Resistor Assembly (see <i>Note 2</i> in illustration) |
| 7 | WIR0166SP | Wire Assembly, 200-250V Basket Lift w/Relay |
| 8 | 8101012 | Rod, Modular BL |
| 9 | 8130035 | Bushing, Bronze |
| 10 | 8090082 | Ring, Bushing Retainer |
| 11 | 8090810 | Clamp, Nylon |
| 12 | 2209678 | Gusset, Reversing Basket Lift Motor |
| 13 | 2219624 | Chassis, H55 Modular Basket Lift |
| 14 | 2229624 | Chassis, H55 Modular Basket Lift |
| 15 | 8071683 | Relay, 12VDC |
| 16 | 8104854 | Lanyard, w/Ring |
| 17 | 8239158 | Arm, Left (Illustration May Slightly Differ) |
| 18 | 8239159 | Arm, Right (Illustration May Slightly Differ) |
| 19 | 1086925 | Guide, B/L Arm (Illustration May Slightly Differ) |
| 20 | 2401693 | Shield, Rear Modular B/L Cover |
| 21 | 2401708 | Cover, Modular B/L (Illustration May Slightly Differ) |
| 22 | 2601474 | Cover, Basket Hanger Rivet B/L |
| 23 | 8090047 | Nut, Cap 1/4" -20 |
| 24 | 8104852 | Pin, 1/4" X 1-5/16" Quick Release |

1.10 Wiring Connectors, Pin Terminals and Power Cords



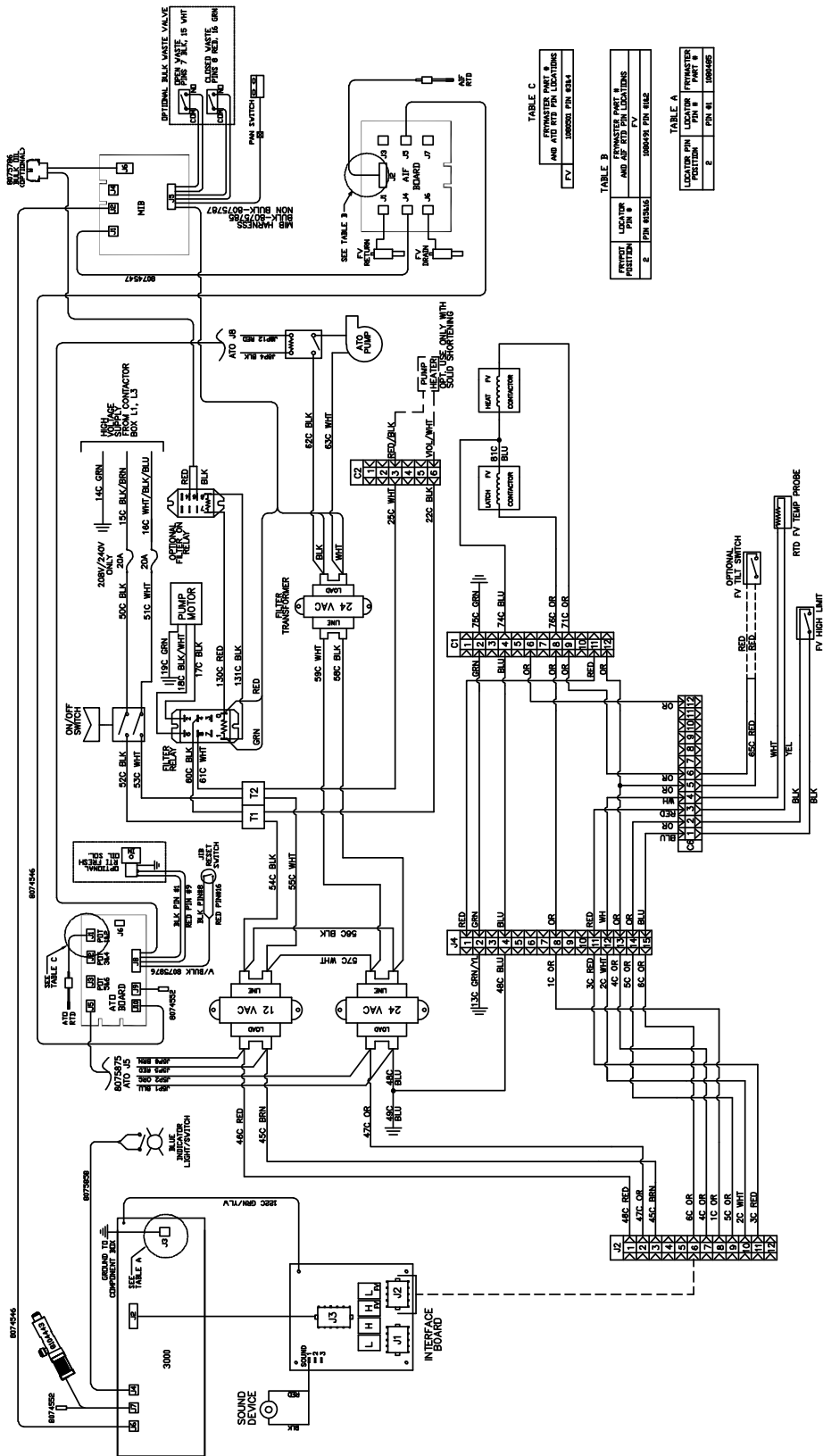
| ITEM | PART # | COMPONENT |
|------|-----------|---|
| | | Power Cords |
| | | DELTA |
| * | 8075625 | Cordset, 3 Phase, 4 Wire, 113" 4 Gauge, Plug- Hubbell HBL-8462C |
| * | 8075854 | Cord, 3 Phase, 4 Wire, 113" 4 Gauge, Plug- None |
| | | WYE |
| * | 8073836 | Cordset, FPP European Power, 5 Wire, 92", 10 Gauge, Plug- Hubbell C532P6S |
| * | 1060516 | Cordset, CE/Export Fryer and Motor with Ring Terminals 220-250V |
| * | 8073835 | Cable, Export, 5 Wire, 92", 10 Gauge, Plug- None |
| * | 8073838 | Cable, Export, 5 Wire, 147", 10 Gauge, Plug- None |
| * | 8074979 | Cordset, FPP European Power, 5 Wire, 92", 10 Gauge, Plug- Mennekes 532P6-14 |
| * | 8074143 | Cable, Export, 5 Wire, 118", 10 Gauge, Plug- None |
| * | 8073976 | Cable, Export, 5 Wire, 177", 10 Gauge, Plug- None |
| * | 8073977 | Cable, Export China, 5 Wire, 165", 10 Gauge, Plug- None |
| * | 8074005 | Cable, Export Australia, 5 Wire, 104", 10 Gauge, Plug- None |
| | | Connectors and Tools |
| 1 | 8071068 | 2-Pin Female |
| 2 | 8070158 | 6-Pin Female |
| 3 | 8070156 | 9-Pin Female |
| 5 | 8070159 | 12-Pin Female |
| 5 | 8070875 | 15-Pin Female |
| 6 | 8071067 | 2-Pin Male |
| 7 | 8070157 | 6-Pin Male |
| 8 | 8070155 | 9-Pin Male |
| 9 | 8070160 | 12-Pin Male |
| 10 | 8070804 | 15-Pin Male |
| 11 | 8261341 | Terminal, Female Split Pin (Pkg of 25) |
| 12 | 8261342 | Terminal, Male Split Pin (Pkg of 25) |
| 13 | 8072518 | Plug, Mate-N-Lock (Dummy Pin) |
| 14 | 8070928 | Extract Tool Pin Pusher |
| 15 | 8064855 | Pin Pusher Screwdriver Assembly |
| 16 | 2302345 | SMT Pin Extractor |
| * | 8074660PK | SMT Pin Service Repair Kit |
| 17 | 1080716 | Box, RTI Test |
| 18 | 8238990 | Wrench w/a, 1-1/16" (used with OQS Sensor installation) |
| 19 | 8238991 | Wrench w/a, 1-1/16" Crows Foot (used with OQS Sensor installation) |

* Not illustrated

1.11 Fasteners

| ITEM | PART # | COMPONENT |
|------|---------|---|
| * | 8090429 | Bolt, ¼-inch – 20 x 2.00-inch Hex Head ZP Tap |
| * | 8090131 | Bolt, ¼-inch -20 x ¾-inch Hex |
| * | 8091020 | Cap Screw, 5/16-inch-18 5.50" NC Hex (<i>Connects pump to motor.</i>) |
| * | 8090448 | Clip, Tinnerman |
| * | 8261366 | Nut, 4-40 Keps Hex (Pkg. of 25) (809-0237) |
| * | 8261358 | Nut, 6-32 Keps Hex (Pkg. of 25) (809-0049) |
| * | 8090247 | Nut, 8-32 Keps Hex |
| * | 8090893 | Nut, 8-32 Crown Acorn |
| * | 8261376 | Nut, 10-32 Keps Hex (Pkg. of 10) (809-0256) |
| * | 8090766 | Nut, 10-32 Keps Hex SS |
| * | 8090581 | Nut, ½ NPT Locking |
| * | 8090020 | Nut Cap 10-24 NP |
| * | 8261372 | Nut Grip ¼-inch ¼-20 Hex NP (Pkg. of 10) (809-0059) |
| * | 8090417 | Nut Flange ¼-inch ¼-20 Serr |
| * | 8090535 | Nut, "T" ¼-inch-20 x 7/16 SS |
| * | 8090495 | Nut, ¼-inch – 20 Press |
| * | 8090540 | Nut, Lock ½-inch-13 Hex 2-Way ZP |
| * | 8261359 | Screw, 4-40 x ¾-inch Slotted Round Head (Pkg. of 25) (809-0354) |
| * | 8261365 | Screw, 6-32 x ⅜-inch Slot Head (Pkg. of 25) (809-0095) |
| * | 8090357 | Screw, 6 x ⅜-inch Phillips Head NP |
| * | 8090359 | Screw, 8 x ¼-inch Hex Washer Head |
| * | 8090360 | Screw, 8 x ⅜-inch Hex Washer Slot Head |
| * | 8261371 | Screw, 8 x ½-inch Hex Head ZP (Pkg. of 25) (809-0361) |
| * | 8090364 | Screw, 8 x ⅝-inch Hex Washer Head ZP |
| * | 8090518 | Screw, 8-32 x ⅜-inch Hex Washer Slotted Head SS |
| * | 8090104 | Screw, 8-32 x ½-inch Slotted Head ZP |
| * | 8261363 | Screw, 8-32 x ½-inch NP (Pkg. of 25) (809-0103) |
| * | 8261360 | Screw, 10-24 x 5/16-inch Round Slot Head ZP (Pkg. of 25) (809-0024) |
| * | 8261330 | Screw, 10-32 x ⅜-inch Slot Head SS (Pkg. of 25) (809-0117) |
| * | 8091003 | Screw, 10-32 x ⅜-inch Hex Trim Head SS |
| * | 8090270 | Screw, 10-32 x ½-inch Phillips Head ZP |
| * | 8261375 | Screw, 10-32 x ¾-inch Hex Trim Head SS (Pkg. of 5) (809-0401) |
| * | 8091000 | Screw, 10-32 x 1¼-inch Hex Sck C/S |
| * | 8261374 | Screw, 10 x ½-inch Hex Head (Pkg. of 25) (809-0412) |
| * | 8090266 | Screw, 10 x ½-inch Phillips Head ZP |
| * | 8090434 | Screw, 10 x ⅜-inch Hex Washer Head NP |
| * | 8091021 | Screw, 10 x ⅜-inch Torx Pan Type B |
| * | 8090123 | Screw, 10 x ¾-inch Slot Head |
| * | 8261389 | Screw, 1/4-20 x ¾-inch Hex Head ZP (Pkg. of 10) (809-0131) |
| * | 8090582 | Washer ½ NPT Locking |
| * | 8090184 | Washer, #10 LK ZP |
| * | 8090190 | Washer, .625 X .275 X 40 Flat SS |
| * | 8090191 | Washer, Lock ¼ Spring ZP |
| * | 8090193 | Washer, Flat ¼ Nylon |
| * | 8090194 | Washer, Flat 5/16-inch ZP |

1.12 Wiring Diagram for Harness Part Numbers



8052063C

Frymaster[®]

FRYMASTER
8700 LINE AVENUE, SHREVEPORT, LA 71106-6800

800-551-8633
318-865-1711
WWW.FRYMASTER.COM
EMAIL: FRYSERVICE@WELBILT.COM



Welbilt offers fully-integrated kitchen systems. Welbilt's portfolio of award-winning brands includes Cleveland™, Convotherm®, Crystal Tips®, Dean®, Delfield®, Fabristeel®, Frymaster®, Garland®, Inducs®, Koldtech®, Kolpak®, Lincoln®, McCann's™, Merco®, Merrychef®, Multiplex®, RDI®, SerVend™, SunFire®, U.S. Range™, and WMaxx™. Supported by service brands: FitKitchen®, kitchen systems; and KitchenConnect®, cloud-based open platform.

Bringing innovation to the table • welbilt.com

©2024 Frymaster LLC. except where explicitly stated otherwise. All rights reserved. Continuing product improvement may necessitate change of specifications without notice.

Part Number FRY_P_8197319 02/2024