

FilterQuick™ FQE30-T

Electric Fryer

Wiring Diagrams

This manual is updated as new information and models are released. Visit our website for the latest manual.



FOR YOUR SAFETY

Do Not Store or use gasoline or other flammable vapors and liquids in the vicinity of this or any other appliance.

CAUTION

READ THE INSTRUCTIONS BEFORE USING THE FRYER.



Part Number: FRY_D_8197464 05/2018

Original Instructions

 DANGER

Improper installation, adjustment, maintenance or service, and unauthorized alterations or modifications can cause property damage, injury, or death. Read the installation, operating, and service instructions thoroughly before installing or servicing this equipment.

 DANGER

This fryer has a power cord (three-phase) for each frypot. Prior to movement, testing, maintenance and any repair on your Frymaster fryer; disconnect ALL electrical power cords from the electrical power supply.

FILTERQUICK™ FQE30-T ELECTRIC FRYER

Table of Contents

SECTION 1: Wiring Diagrams

1.1	FQE30-T Simplified Wiring.....	1-1
1.2	FQE30-T Simplified Communication Wiring.....	1-2
1.3	Contactor Box-Delta Configuration	1-3
1.4	Solid Shortening Melting Unit Wiring	1-4

1.2 FQ30-T Simplified Communication Wiring

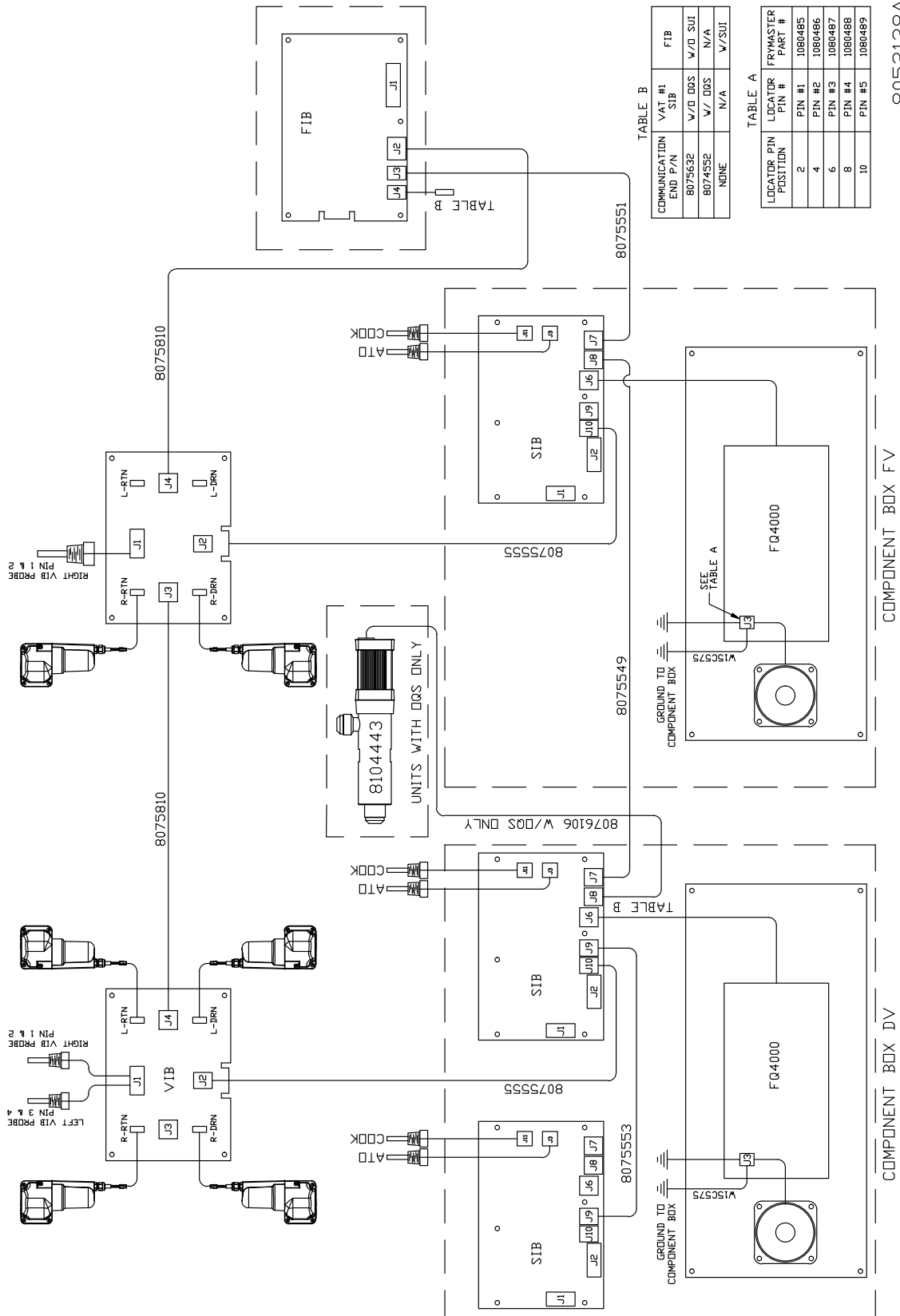


TABLE B

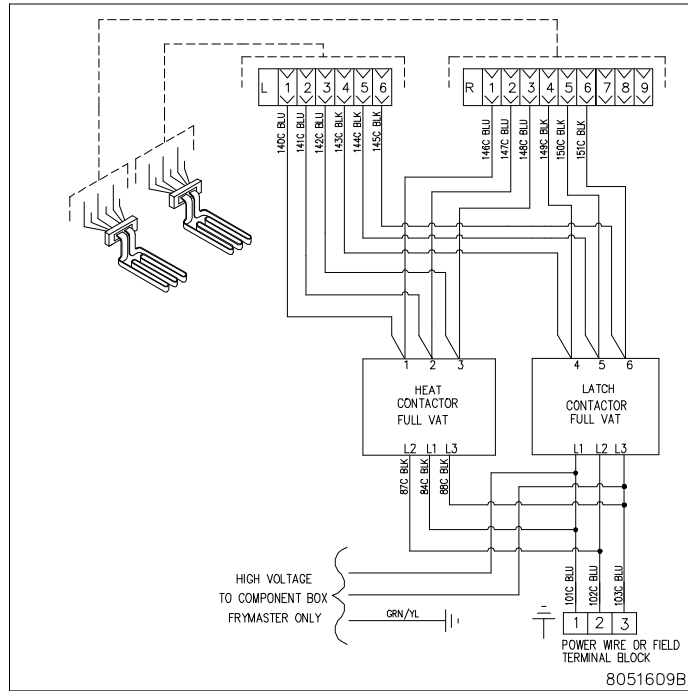
COMMUNICATION END P/N	VAT #1 SIB	FIB
8075632	W/D DQS	W/D SUI
8074552	W/D DQS	N/A
NONE	N/A	V/SUI

TABLE A

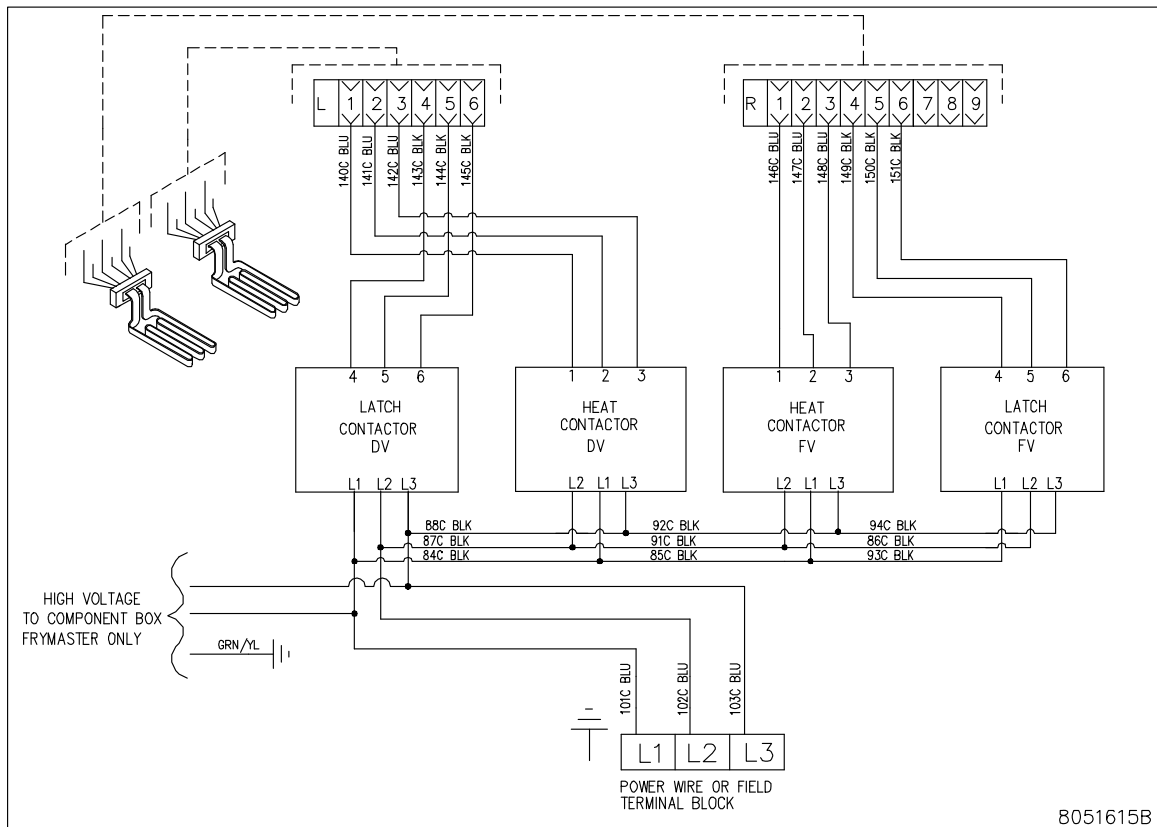
LOCATOR PIN POSITION	LOCATOR PIN #	FRYMASTER PART #
2	PIN #1	1080485
4	PIN #2	1080486
6	PIN #3	1080487
8	PIN #4	1080488
10	PIN #5	1080489

8052138A

1.3 Contactor Box - Delta Configuration







FULL VAT



DUAL VAT

**WELBILT®***Bringing innovation to the table***WWW.WELBILT.COM**

Welbilt provides the world's top chefs, and premier chain operators or growing independents with industry leading equipment and solutions. Our cutting-edge designs and lean manufacturing tactics are powered by deep knowledge, operator insights, and culinary expertise. All of our products are backed by KitchenCare® – our aftermarket, repair, and parts service.

 CLEVELAND
CONVOTHERM® DELFIELD®
FITKITCHEN™ FRYMASTER®
GARLAND KOLPAK®
LINCOLN MANITOWOC®
MERCO® MERRYCHEF®
MULTIPLEX®