

Service Bulletin

Subject: New Basket Lift

1/31/ 2018

Revised 2/9/2018

Capacitor* Changed in New Parts Listing

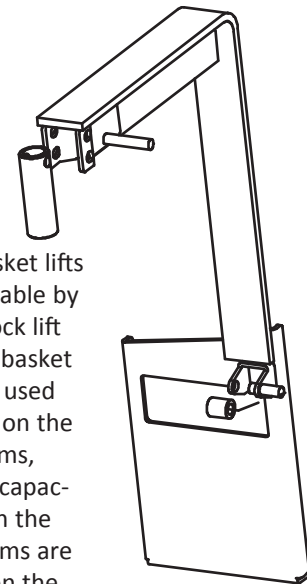
In late 2017, Frymaster introduced a new basket lift. It has more power and increased reliability.

Motors, lift arms, capacitors are not interchangeable between the new and old systems.

The new system will be incorporated across Frymaster and Dean fryers in the coming months.

The new basket-lift system is readily identified by its flat-stock basket arms. The old system used round basket-lift arms.

New Parts	
Part Number	Description
1085031SP	REV MTR ASM,BL W/TERM 208-250V
1084181SP	REV MOTOR ASSY, MODLR 120V B/L
8076253*	CAPACITOR,MTR RN 4 MFD 440VAC
Taco Bell-Specific New Parts	
4060070	PCB ASSY,BASKET LIFT REVERSING
Earlier Parts Still Used	
8071683	RELAY, 12VDC
8072572	MICROSWITCH, FORMED END



The new basket lifts are recognizable by their flat-stock lift arms. Older basket-lift systems used round stock on the arms. Lift arms, motors and capacitors used on the earlier systems are not usable on the new one.