

Frymaster[®]A **WELBIT** Company

Service Bulletin

Bulletin: A-45-98

Date: 11/16/1998

SUBJECT: HLZ Plate/Cowl Gasket Installation

It has been discovered that crumbs can migrate into the interior of Heated Landing Zones (HLZs) through a gap at the base of the air delivery tower. The issue is being addressed at time of manufacture by applying gaskets at the adjoining surfaces.

A large number of units were already in the field before the issue problem was discovered, and these units must also be attended to. The crumbs must be removed and two gaskets (P/N 816-0418) must be installed in each unit.

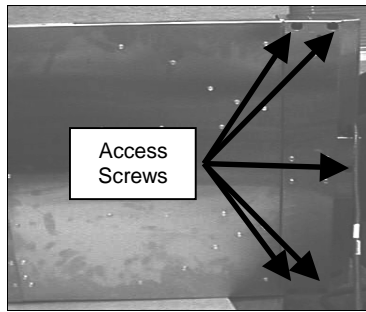
Attached are installation instructions for the gaskets and a list of unit serial numbers and addresses, sorted by FASC. Use the list to identify the HLZs in your area of responsibility. Call the locations in your area and arrange for the installation of the gaskets. Normal warranty terms apply.

All installations should be completed by February 1, 1999. Fax a list of serial numbers of retrofitted units weekly to ***Frymaster*** 1-318-862-2394, Attention: Bill Gray.

HLZ Plate/Cowl Gasket Installation Procedures

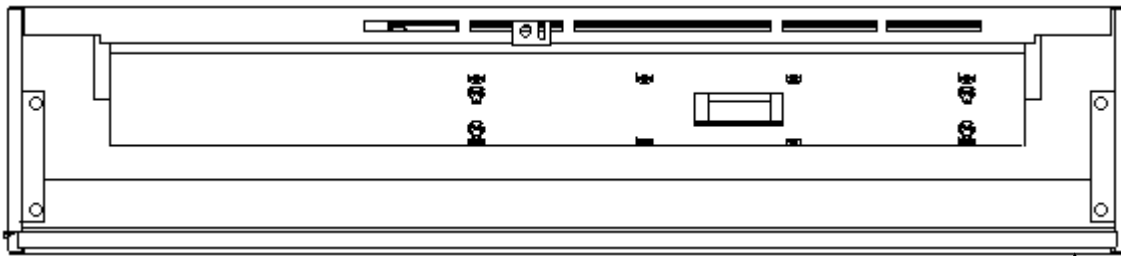
1. Remove computer cowl:

- a. Disconnect the power cord from the electrical outlet.
- b. Turn the unit on its side. Remove the five access screws located on the bottom of the unit as shown below.
- c. Unplug the computer wiring harness and remove the cowl assembly from the unit.



- d. Use a vacuum to remove any crumbs that have accumulated in the area beneath the cowl assembly.
- e. Clean the surface areas thoroughly and apply the adhesive-backed gasket to the bottom edge of the cowl assembly as indicated by the arrow in the illustration below.

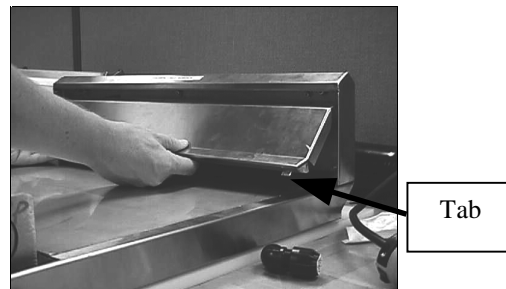
NOTE: If there is still a gap visible when you reinstall the cowl, install a second gasket.



- f. Plug in the computer wiring harness and reinstall the cowl assembly. 

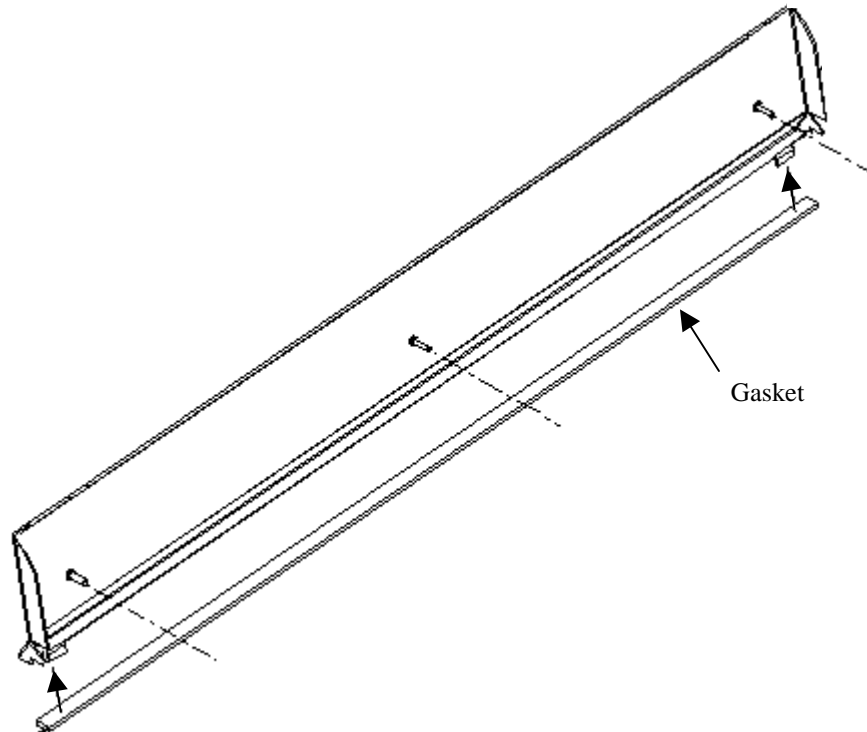
2. Open the Air Delivery Tower:

- a. Insert a 5/16" nut driver through the front air delivery assembly access holes and turn the nuts counterclockwise to loosen. Do not remove the nuts. Grasp the bottom flange of the front panel and simultaneously lift upward and pull toward you to remove the panel. Be careful, there are two tabs on lower corners that must clear the heater plate to allow removal of the front panel.



- b. Stand the unit on end, air delivery tower down. Tap on the back to dislodge any crumbs caught under the heater plate. Use a vacuum to remove any crumbs that have accumulated in the area beneath the air delivery tower or been dislodged from beneath the heater plate.
- c. Clean the surface areas thoroughly and apply the adhesive-backed gasket to the bottom edge of panel as illustrated below.

Note: If there is still a gap visible when you reinstall the front panel, install a second gasket.



- d. To reinstall the front panel, reverse the process. Make sure the brackets on the backside of the panel slide up and under the nuts on the back panel. Once the front panel tabs clear the heater plate and the panel is seated, tighten the mounting screws to pull the front panel flush against the back panel.

| FACTORY AUTHORIZED SERVICE CENTERS | CITY | STATE | NUMBER |
|---|----------------|--------------|---------------|
| APPLIANCE SERVICE CENTER | WEST ALLIS | WI | 50387 |
| ARMSTRONG REPAIR CENTER | HOUSTON | TX | 1729 |
| ARR-CRS | COLUMBUS | OH | 905 |
| A-TECH, INC | MANCHESTER | CT | 663 |
| AUTHORIZED COMMERCIAL SERVICE | PHOENIX | AZ | 1974 |
| BANA COMMERCIAL KITCHEN PARTS | HARAHAN | LA | 9610 |
| BANA COMMERCIAL KITCHEN PARTS | SHREVEPORT | LA | 3746 |
| BGSI | POMPANO BEACH | FL | 1086 |
| BILDON PARTS & SERVICE | LIVONIA | MI | 1020 |
| BROMLEY PARTS&SERVICE | LITTLE ROCK | AR | 154 |
| COMMERCIAL APPLIANCE SERVICE | NASHVILLE | TN | 1465 |
| COMMERCIAL APPLIANCE SERVICE | TAMPA | FL | 121 |
| COMMERCIAL KITCHEN REPAIR | SAN ANTONIO | TX | 1728 |
| COMMERCIAL PARTS & SERVICE | INDIANAPOLIS | IN | 997 |
| COMMERCIAL PARTS & SERVICE | JACKSON | MS | 50072 |
| COMMERCIAL PARTS & SERVICE | LOUISVILLE | KY | 1149 |
| CONES REPAIR SERVICE | MOLINE | IL | 361 |
| DAUBER'S, INC | SPRINGFIELD | VA | 695 |
| DUFFY'S EQUIPMENT SERVICE | SAUQUOIT | NY | 1532 |
| EICHENAUER SERVICE | DECATUR | IL | 351 |
| ELMER SCHULTZ SERVICE | PHILADELPHIA | PA | 646 |
| EMR SERVICE | BALTIMORE | MD | 50182 |
| FOOD EQUIPMENT PARTS & SERVICE | HONOLULU | HI | 1510 |
| GCS SERVICE | ATLANTA | GA | 9285 |
| GCS SERVICE | BROOKLYN | NY | 110 |
| GCS SERVICE | KANSAS CITY | MO | 8941 |
| GCS SERVICE | PITTSBURGH | PA | 50189 |
| GCS SERVICE | ST. LOUIS | MO | 137 |
| GOODWIN TUCKER GROUP | OMAHA | NE | 397 |
| HAGAR RESTAURANT | OKLAHOMA CITY | OK | 1542 |
| HAGINS APPLIANCE SERVICE | SAVANNAH | GA | 599 |
| HAWKINS COMM. APPLIANCE SERVICE | ENGLEWOOD | CO | 897 |
| HENRY T. SMITH COMPANY | MEMPHIS | TN | 1039 |
| JONES-MCLEOD APPLIANCE SERVICE | BIRMINGHAM | AL | 1054 |
| K&D PARTS AND SERVICE | HARRISBURG | PA | 2977 |
| LUNT EQUIPMENT SERVICE | GREY | ME | 742 |
| MALACHY MECHANICAL | BAYONNE | NJ | 1446 |
| METRO APPLIANCE SERVICE | NEW HOPE | MN | 50388 |
| NORTHEAST REST. EQUIPMENT SERVICE | BREWER | ME | 746 |
| NORTHERN PARTS DISTRIBUTORS | PLATTSBURGH | NY | 9287 |
| P&D APPLIANCE SERVICE | SAN FRANCISCO | CA | 471 |
| PACIFIC COAST PARTS | GARDENA | CA | 2671 |
| PARTS TOWN | BROADVIEW | IL | 2712 |
| PETERSON'S COMMERCIAL APPLIANCE | SALT LAKE CITY | UT | 1396 |
| PINE TREE FOOD SERVICE | GREY | ME | 50384 |
| RESTAURANT APPLIANCE SERVICE | SEATTLE | WA | 465 |
| RON'S SERVICE | PORTLAND | OR | 9 |
| STATEWIDE SERVICE | NITRO | WV | 50190 |
| STOVE PARTS SUPPLY | FT WORTH | TX | 7476 |
| SUN ELECTRIC APPLIANCE SERVICE | NORFOLK | VA | 9029 |
| WHALEY FOOD SERVICE REPAIRS | W. COLUMBIA | SC | 77 |

| FASC | S/N | STREET ADDRESS | CITY | STATE | ZIP |
|-------------|------------|----------------------------------|-------------|--------------|------------|
| 9 | 9807AQ0151 | 2516 SOUTH APPLE STREET | BOISE | ID | 83709 |
| 9 | 9807AQ0152 | 2516 SOUTH APPLE STREET | BOISE | ID | 83709 |
| 9 | 9807AQ0515 | 1-70 & EMPTY SADDLE | HAILEY | ID | 83333 |
| 9 | 9807AQ0519 | 1-70 & EMPTY SADDLE | HAILEY | ID | 83333 |
| 9 | 9807AQ0044 | 4TH & MAIN | WEISER | ID | 83672 |
| 9 | 9807AQ0071 | 4TH & MAIN | WEISER | ID | 83672 |
| 9 | 9808AQ1180 | 720 NORTH MAIN | HAILEY | ID | 83333 |
| 9 | 9808AQ1181 | 720 NORTH MAIN | HAILEY | ID | 83333 |
| 9 | 9808AQ1333 | 1335 S WASHINGTON AVE | EMMETT | ID | 83617 |
| 9 | 9808AQ1335 | 1335 S WASHINGTON AVE | EMMETT | ID | 83617 |
| 9 | 9808AQ1503 | 510 N ORCHARD ST | BOISE | ID | 83706 |
| 9 | 9808AQ1560 | 510 N ORCHARD ST | BOISE | ID | 83706 |
| 9 | 9807AQ0792 | 2250 N.W. 9TH ST. | CORVALLIS | OR | 97330 |
| 9 | 9807AQ0810 | 2250 N.W. 9TH ST. | CORVALLIS | OR | 97330 |
| 9 | 9807AQ0149 | 300 N.W. 3RD & VAN BUREN | CORVALLIS | OR | 97330 |
| 9 | 9807AQ0160 | 300 N.W. 3RD & VAN BUREN | CORVALLIS | OR | 97330 |
| 9 | 9806AQ0316 | 2855 WILLAMETTE | EUGENE | OR | 97401 |
| 9 | 9806AQ0325 | 2855 WILLAMETTE | EUGENE | OR | 97401 |
| 9 | 9807AQ0541 | 2231 NE 181ST | GRESHAM | OR | 97080 |
| 9 | 9807AQ0542 | 2231 NE 181ST | GRESHAM | OR | 97080 |
| 9 | 9807AQ0811 | 16044 SW LOWER BOONES FERRY ROAD | LAKE OSWEGO | OR | 97035 |
| 9 | 9807AQ0812 | 16044 SW LOWER BOONES FERRY ROAD | LAKE OSWEGO | OR | 97035 |
| 9 | 9807AQ0818 | 2250 SOUTH MAIN STREET | LEBANON | OR | 97355 |
| 9 | 9807AQ0819 | 2250 SOUTH MAIN STREET | LEBANON | OR | 97355 |
| 9 | 9806AQ0185 | 125 SOUTH 14TH STREET | PHILOMATH | OR | 97370 |
| 9 | 9806AQ0187 | 125 SOUTH 14TH STREET | PHILOMATH | OR | 97370 |
| 9 | 9807AQ0472 | AIRPORT WAY | PORTLAND | OR | 97230 |
| 9 | 9807AQ0481 | AIRPORT WAY | PORTLAND | OR | 97230 |
| 9 | 9807AQ0522 | 2791 19TH STREET S.E. | SALEM | OR | 97302 |
| 9 | 9807AQ0524 | 2791 19TH STREET S.E. | SALEM | OR | 97302 |
| 9 | 9807AQ0525 | 2791 19TH STREET S.E. | SALEM | OR | 97302 |
| 9 | 9807AQ0526 | 2791 19TH STREET S.E. | SALEM | OR | 97302 |
| 9 | 9807AQ0527 | 2791 19TH STREET S.E. | SALEM | OR | 97302 |
| 9 | 9807AQ0528 | 2791 19TH STREET S.E. | SALEM | OR | 97302 |
| 9 | 9807AQ0529 | 2791 19TH STREET S.E. | SALEM | OR | 97302 |
| 9 | 9807AQ0532 | 2791 19TH STREET S.E. | SALEM | OR | 97302 |
| 9 | 9807AQ0786 | 2791 19TH STREET S.E. | SALEM | OR | 97302 |
| 9 | 9806AQ0326 | 2791 19TH STREET S.E. | SALEM | OR | 97302 |
| 9 | 9806AQ0334 | 2791 19TH STREET S.E. | SALEM | OR | 97302 |
| 9 | 9806AQ0317 | 33558 HAVLIK RD | SCAPPOOSE | OR | 97056 |
| 9 | 9806AQ0324 | 33558 HAVLIK RD | SCAPPOOSE | OR | 97056 |
| 9 | 9806AQ0271 | 1988 SHAFF ROAD | STAYTON | OR | 97383 |
| 9 | 9807AQ0933 | 1988 SHAFF ROAD | STAYTON | OR | 97383 |
| 9 | 9806AQ0272 | 2000 MAIN STREET | SWEET HOME | OR | 97386 |
| 9 | 9806AQ0333 | 2000 MAIN STREET | SWEET HOME | OR | 97386 |
| 9 | 9807AQ0540 | 341 LONE PINE DRIVE | THE DALLES | OR | 97058 |
| 9 | 9807AQ0545 | 341 LONE PINE DRIVE | THE DALLES | OR | 97058 |
| 9 | 9807AQ0188 | 16200 SWE PACIFIC HIGHWAY | TIGARD | OR | 97223 |
| 9 | 9807AQ0190 | 16200 SWE PACIFIC HIGHWAY | TIGARD | OR | 97223 |
| 9 | 9807AQ0500 | 11201 SW 72ND AVE | TIGARD | OR | 97223 |
| 9 | 9807AQ0504 | 11201 SW 72ND AVE | TIGARD | OR | 97223 |
| 9 | 9808AQ0607 | I-5 & NYBERG | TUALATIN | OR | 97062 |
| 9 | 9807AQ0929 | 2100 EIGHTH COURT | WEST LINN | OR | 97068 |
| 9 | 9807AQ0932 | 2100 EIGHTH COURT | WEST LINN | OR | 97068 |
| 9 | 9808AQ1175 | 2791 19TH ST SE | SALEM | OR | 97302 |
| 9 | 9808AQ1177 | HIGHWAY 43 & WALLING | WEST LINN | OR | 97068 |
| 9 | 9808AQ1192 | HIGHWAY 43 & WALLING | WEST LINN | OR | 97068 |
| 9 | 9808AQ1574 | 3611 CRATER LAKE HWY | MEDFORD | OR | 97504 |
| 9 | 9808AQ1577 | 3611 CRATER LAKE HWY | MEDFORD | OR | 97504 |
| 9 | 9807AQ0520 | 2196 38TH AVENUE | LONGVIEW | WA | 98632 |
| 9 | 9807AQ0523 | 2196 38TH AVENUE | LONGVIEW | WA | 98632 |

| FASC | S/N | STREET ADDRESS | CITY | STATE | ZIP |
|-------------|------------|-----------------------------------|----------------|--------------|------------|
| 77 | 9808AQ0855 | (AIRPORT & HIGHWAY 70) | NEW BERN | NC | 28560 |
| 77 | 9808AQ0856 | (AIRPORT & HIGHWAY 70) | NEW BERN | NC | 28560 |
| 77 | 9808AQ0857 | HWY. 43 & FIRE TOWER | GREENVILLE | NC | 27858 |
| 77 | 9808AQ0859 | HWY. 43 & FIRE TOWER | GREENVILLE | NC | 27858 |
| 77 | 9808AQ0982 | 2116 GREENVILLE BLVD SE | GREENVILLE | NC | 27858 |
| 77 | 9808AQ0989 | HWY 64 | PLYMOUTH | NC | 27962 |
| 77 | 9808AQ0995 | 300 S MAIN ST | HOPE MILLS | NC | 28348 |
| 77 | 9808AQ0997 | 1300 W ARLINGTON BLVD | GREENVILLE | NC | 27834 |
| 77 | 9808AQ1008 | 300 S MAIN ST | HOPE MILLS | NC | 28348 |
| 77 | 9808AQ1126 | CYPRESS BAY/WALMART PLAZA | MOREHEAD | NC | 28557 |
| 77 | 9808AQ1139 | CYPRESS BAY/WALMART PLAZA | MOREHEAD | NC | 28557 |
| 77 | 9808AQ1141 | 1165 WESTERN BLVD | JACKSONVILLE | NC | 28546 |
| 77 | 9808AQ1152 | 1408 CAROLINA AVE | WASHINGTON | NC | 27889 |
| 77 | 9808AQ1153 | 1703 RED ROBIN LN | NEW BERN | NC | 28562 |
| 77 | 9808AQ1159 | 300 LANDMARK STREET | GREENVILLE | NC | 27834 |
| 77 | 9808AQ1161 | 300 LANDMARK STREET | GREENVILLE | NC | 27834 |
| 77 | 9808AQ1164 | 2831 NEUSE BLVD | NEW BERN | NC | 28562 |
| 77 | 9808AQ1165 | 2831 NEUSE BLVD | NEW BERN | NC | 28562 |
| 77 | 9808AQ1167 | 900 N MARINE BLVD | JACKSONVILLE | NC | 28540 |
| 77 | 9808AQ1274 | 1703 RED ROBIN LN | NEW BERN | NC | 28562 |
| 77 | 9808AQ1275 | 110 W VERNON AVE | KINSTON | NC | 28501 |
| 77 | 9808AQ1284 | 110 W VERNON AVE | KINSTON | NC | 28501 |
| 77 | 9808AQ1286 | 2116 GREENVILLE BLVD SE | GREENVILLE | NC | 27858 |
| 77 | 9808AQ1289 | 100 MANATEE ST | CAPE CARTERET | NC | 28584 |
| 77 | 9808AQ1290 | 100 MANATEE ST | CAPE CARTERET | NC | 28584 |
| 77 | 9808AQ1306 | HIGHWAY 70 & DE GRAFENREID | NEW BERN | NC | 28560 |
| 77 | 9808AQ1307 | HIGHWAY 70 & DE GRAFENREID | NEW BERN | NC | 28560 |
| 77 | 9808AQ1433 | 900 N MARINE BLVD | JACKSONVILLE | NC | 28540 |
| 77 | 9807AQ0665 | 8586 RIVERS AVENUE | N CHARLESTON | SC | 29406 |
| 77 | 9807AQ0342 | 1305 SANDIFER BLVD. | SENECA | SC | 29678 |
| 77 | 9807AQ0666 | 1305 SANDIFER BLVD. | SENECA | SC | 29678 |
| 77 | 9807AQ0602 | 8586 RIVERS AVENUE | N CHARLESTON | SC | 29406 |
| 110 | 9807AQ0130 | EAST 233RD & BAYCHESTER AVENUE | BRONX | NY | 10466 |
| 110 | 9807AQ0410 | 2848 CHURCH AVE | BROOKLYN | NY | 11225 |
| 110 | 9807AQ0411 | 2848 CHURCH AVE | BROOKLYN | NY | 11225 |
| 110 | 9807AQ0716 | 195 BROADWAY | HICKSVILLE | NY | 11802 |
| 110 | 9807AQ0736 | 195 BROADWAY | HICKSVILLE | NY | 11802 |
| 110 | 9807AQ0533 | ALBANY COUNTY AIRPORT | LATHAM | NY | 12110 |
| 110 | 9807AQ0579 | ALBANY COUNTY AIRPORT | LATHAM | NY | 12110 |
| 110 | 9807AQ0468 | 490 8TH AVENUE | NEW YORK | NY | 10001 |
| 110 | 9807AQ0469 | 490 8TH AVENUE | NEW YORK | NY | 10001 |
| 110 | 9807AQ0473 | 490 8TH AVENUE | NEW YORK | NY | 10001 |
| 110 | 9807AQ0583 | 27 THIRD AVENUE & ST. MARKS PLACE | NEW YORK | NY | 10003 |
| 110 | 9807AQ0585 | 27 THIRD AVENUE & ST. MARKS PLACE | NEW YORK | NY | 10003 |
| 110 | 9806AQ0087 | 57TH & JUNCTION | QUEENS | NY | 11373 |
| 110 | 9806AQ0091 | 57TH & JUNCTION | QUEENS | NY | 11373 |
| 110 | 9807AQ0731 | 923 JERICHO TURNPIKE | SMITHTOWN | NY | 11787 |
| 110 | 9807AQ0732 | 923 JERICHO TURNPIKE | SMITHTOWN | NY | 11787 |
| 110 | 9808AQ1388 | 688 8TH AVE | NEW YORK | NY | 10036 |
| 110 | 9808AQ1539 | 7901 BROADWAY | ELMHURST | NY | 11373 |
| 110 | 9808AQ1545 | CHURCH AVENUE AND ROUTE 50 | BALLSTON SPA | NY | 12020 |
| 110 | 9808AQ1589 | 688 8TH AVE | NEW YORK | NY | 10036 |
| 121 | 9807AQ1188 | 27998 OAKLAND DRIVE | BONITA SPRINGS | FL | 33923 |
| 121 | 9807AQ0744 | 4711 14TH STREET WEST | BRADENTON | FL | 34207 |
| 121 | 9807AQ0875 | 4711 14TH STREET WEST | BRADENTON | FL | 34207 |
| 121 | 9807AQ0840 | 604 67TH CIRCLE E | BRADENTON | FL | 34208 |
| 121 | 9807AQ0843 | 604 67TH CIRCLE E | BRADENTON | FL | 34208 |
| 121 | 9807AQ0836 | 1121 BEVILLE ROAD | DAYTONA BEACH | FL | 32119 |
| 121 | 9807AQ0893 | 1121 BEVILLE ROAD | DAYTONA BEACH | FL | 32119 |
| 121 | 9807AQ0642 | 3645 CLEVELAND AVENUE | FORT MYERS | FL | 33901 |
| 121 | 9807AQ0646 | 3645 CLEVELAND AVENUE | FORT MYERS | FL | 33901 |

| FASC | S/N | STREET ADDRESS | CITY | STATE | ZIP |
|-------------|------------|--------------------------------|-----------------|--------------|------------|
| 121 | 9807AQ0828 | 4280 PALM BEACH BLVD | FORT MYERS | FL | 33905 |
| 121 | 9807AQ0848 | 4280 PALM BEACH BLVD | FORT MYERS | FL | 33905 |
| 121 | 9807AQ0926 | 8961 COLLEGE PARKWAY | FORT MYERS | FL | 33919 |
| 121 | 9807AQ0927 | 8961 COLLEGE PARKWAY | FORT MYERS | FL | 33919 |
| 121 | 9806AQ0086 | 9441 STATE RT 52 | HUDSON | FL | 34669 |
| 121 | 9806AQ0088 | 9441 STATE RT 52 | HUDSON | FL | 34669 |
| 121 | 9806AQ0230 | S.R. 29 & IMMOKALEE | IMMOKALEE | FL | 33934 |
| 121 | 9807AQ0830 | SOUTHSIDE BLVD & TOUCHTON ROAD | JACKSONVILLE | FL | 32216 |
| 121 | 9807AQ0859 | SOUTHSIDE BLVD & TOUCHTON ROAD | JACKSONVILLE | FL | 32216 |
| 121 | 9806AQ0178 | 1110 STATE ROUTE 60 | LAKE WALES | FL | 33853 |
| 121 | 9806AQ0179 | 1110 STATE ROUTE 60 | LAKE WALES | FL | 33853 |
| 121 | 9806AQ0164 | 1250 WEST BAY DRIVE | LARGO | FL | 34640 |
| 121 | 9806AQ0167 | 1250 WEST BAY DRIVE | LARGO | FL | 34640 |
| 121 | 9806AQ0085 | US HIGHWAY 41 & SUNSET LANE | LUTZ | FL | 33549 |
| 121 | 9806AQ0095 | US HIGHWAY 41 & SUNSET LANE | LUTZ | FL | 33549 |
| 121 | 9806AQ0206 | 228 ORLANDO AVENUE SOUTH | MAITLAND | FL | 32751 |
| 121 | 9806AQ0208 | 228 ORLANDO AVENUE SOUTH | MAITLAND | FL | 32751 |
| 121 | 9806AQ0090 | 7226 STATE ROUTE 54 | NEW PORT RICHEY | FL | 34653 |
| 121 | 9806AQ0092 | 7226 STATE ROUTE 54 | NEW PORT RICHEY | FL | 34653 |
| 121 | 9806AQ0155 | 5000-85 US HWY #17 | ORANGE PARK | FL | 32073 |
| 121 | 9806AQ0082 | 5400 KIRKMAN ROAD | ORLANDO | FL | 32805 |
| 121 | 9806AQ0083 | 5400 KIRKMAN ROAD | ORLANDO | FL | 32805 |
| 121 | 9807AQ0874 | 12300 UNDERHILL ROAD | ORLANDO | FL | 32828 |
| 121 | 9807AQ0892 | 12300 UNDERHILL ROAD | ORLANDO | FL | 32828 |
| 121 | 9806AQ0168 | 29978 RT 19 NORTH | PALM HARBOR | FL | 34685 |
| 121 | 9806AQ0177 | I-95 & STATE ROAD 76 | STUART | FL | 34997 |
| 121 | 9806AQ0182 | I-95 & STATE ROAD 76 | STUART | FL | 34997 |
| 121 | 9807AQ0033 | 811 LAKE BRADFORD ROAD | TALLAHASSEE | FL | 32304 |
| 121 | 9807AQ0036 | 811 LAKE BRADFORD ROAD | TALLAHASSEE | FL | 32304 |
| 121 | 9807AQ0633 | 2006 50TH STREET | TAMPA | FL | 33607 |
| 121 | 9807AQ0651 | 2006 50TH STREET | TAMPA | FL | 33607 |
| 121 | 9807AQ0649 | 4443 JOHN F. KENNEDY BLVD | TAMPA | FL | 33609 |
| 121 | 9807AQ0656 | 4443 JOHN F. KENNEDY BLVD | TAMPA | FL | 33609 |
| 121 | 9807AQ0644 | 9495 108TH AVE | VERO BEACH | FL | 32967 |
| 121 | 9807AQ0675 | 9495 108TH AVE | VERO BEACH | FL | 32967 |
| 121 | 9808AQ0979 | I-95 AND S.R. #46 | MIMS | FL | 32754 |
| 121 | 9808AQ0983 | I-95 AND S.R. #46 | MIMS | FL | 32754 |
| 121 | 9808AQ0984 | 460 W BROAD ST | GROVELAND | FL | 34736 |
| 121 | 9808AQ0988 | 460 W BROAD ST | GROVELAND | FL | 34736 |
| 121 | 9808AQ1127 | 1768 N DAVIS ST | JACKSONVILLE | FL | 32209 |
| 121 | 9808AQ1135 | 233 MAIN STREET | APOPKA | FL | 32703 |
| 121 | 9808AQ1145 | 233 MAIN STREET | APOPKA | FL | 32703 |
| 121 | 9808AQ1146 | 1768 N DAVIS ST | JACKSONVILLE | FL | 32209 |
| 121 | 9808AQ1162 | 5401 ALTAMIRA DR | ORLANDO | FL | 32819 |
| 121 | 9808AQ1292 | 6195 W COLONIAL DR | ORLANDO | FL | 32808 |
| 121 | 9808AQ1298 | 5401 ALTAMIRA DR | ORLANDO | FL | 32819 |
| 121 | 9808AQ1300 | 6195 W COLONIAL DR | ORLANDO | FL | 32808 |
| 121 | 9808AQ1329 | 5911 HIGHWAY 1 NORTH | JACKSONVILLE | FL | 32209 |
| 121 | 9808AQ1437 | 5911 HIGHWAY 1 NORTH | JACKSONVILLE | FL | 32209 |
| 137 | 9807AQ0906 | U.S. 45 | HARRISBURG | IL | 62946 |
| 137 | 9807AQ0907 | U.S. 45 | HARRISBURG | IL | 62946 |
| 137 | 9807AQ0984 | 3439 WILLIAMS STREET | CAPE GIRARDEAU | MO | 63701 |
| 137 | 9807AQ0985 | HWY K @ SILVER SPRING RD | CAPE GIRARDEAU | MO | 63701 |
| 137 | 9807AQ0599 | 1701 CLARKSON ROAD | CHESTERFIELD | MO | 63017 |
| 137 | 9807AQ0604 | 1701 CLARKSON ROAD | CHESTERFIELD | MO | 63017 |
| 154 | 9807AQ1184 | 9200 US HIGHWAY 71 SOUTH | FORT SMITH | AR | 72903 |
| 154 | 9807AQ1195 | 9200 US HIGHWAY 71 SOUTH | FORT SMITH | AR | 72903 |
| 154 | 9806AQ0173 | 8311 ROGERS AVENUE | FT. SMITH | AR | 72903 |
| 154 | 9806AQ2387 | 8311 ROGERS AVENUE | FT. SMITH | AR | 72903 |
| 154 | 9807AQ0419 | 100 N. 46TH STREET | ROGERS | AR | 72756 |
| 154 | 9807AQ0422 | 100 N. 46TH STREET | ROGERS | AR | 72756 |

| FASC | S/N | STREET ADDRESS | CITY | STATE | ZIP |
|-------------|-------------|--------------------------------|---------------|--------------|------------|
| 154 | 9807AQ0086 | HIGHWAY 64 & HIGHWAY 331 | RUSSELLVILLE | AR | 72801 |
| 154 | 9807AQ0088 | HIGHWAY 64 & HIGHWAY 331 | RUSSELLVILLE | AR | 72801 |
| 154 | 9807AQ0530 | SEC MAIN & BEBEE | SEARCY | AR | 72143 |
| 154 | 9807AQ0531 | SEC MAIN & BEBEE | SEARCY | AR | 72143 |
| 351 | 9808AQ0846 | 10747 E U S 36 | AVON | IN | 46168 |
| 351 | 9808AQ0846 | 10747 E U S 36 | AVON | IN | 46168 |
| 465 | 9807AQ0032 | HIGHWAY 95 & HANLEY | COEUR D'ALENE | ID | 83814 |
| 465 | 9807AQ0055 | HIGHWAY 95 & HANLEY | COEUR D'ALENE | ID | 83814 |
| 465 | 9808AQ1174 | 119 THAIN RD | LEWISTON | ID | 83501 |
| 465 | 9808AQ1178 | 119 THAIN RD | LEWISTON | ID | 83501 |
| 465 | 9807AQ0192 | 1301 COMMERCIAL AVE | ANACORTES | WA | 98221 |
| 465 | 9807AQ0200 | 1301 COMMERCIAL AVE | ANACORTES | WA | 98221 |
| 465 | 9807AQ0216 | 7607 204TH NE AVE | ARLINGTON | WA | 98223 |
| 465 | 9807AQ0230 | 7607 204TH NE AVE | ARLINGTON | WA | 98223 |
| 465 | 9807AQ0167 | 22110 17TH AVENUE SOUTH EAST | BOTHELL | WA | 98021 |
| 465 | 9807AQ0174 | 22110 17TH AVENUE SOUTH EAST | BOTHELL | WA | 98021 |
| 465 | 9807AQ0216 | 17245 HWY. 9 S.E. | CLEARVIEW | WA | 98290 |
| 465 | 9807AQ0230 | 17245 HWY. 9 S.E. | CLEARVIEW | WA | 98290 |
| 465 | 9807AQ0010 | 502 W. STANLEY | GRANITE FALLS | WA | 98252 |
| 465 | 9807AQ0142 | 502 W. STANLEY | GRANITE FALLS | WA | 98252 |
| 465 | 9807AQ0517 | 5226 E. LAKE & SAMMISH PARKWAY | ISSAQUAH | WA | 98027 |
| 465 | 9807AQ0521 | 5226 E. LAKE & SAMMISH PARKWAY | ISSAQUAH | WA | 98027 |
| 465 | 9807AQ0448 | 1236 WEST MEEKER STREET | KENT | WA | 98031 |
| 465 | 9807AQ0494 | 1236 WEST MEEKER STREET | KENT | WA | 98031 |
| 465 | 9806AQ0335 | 10715 SE 240TH | KENT | WA | 98031 |
| 465 | 9806AQ0336 | 10715 SE 240TH | KENT | WA | 98031 |
| 465 | 9807AQ0038 | 10715 SE 240TH | KENT | WA | 98031 |
| 465 | 9807AQ0127 | 10715 SE 240TH | KENT | WA | 98031 |
| 465 | 9807AQ0552 | 10715 SE 240TH | KENT | WA | 98031 |
| 465 | 9807AQ0553 | 10715 SE 240TH | KENT | WA | 98031 |
| 465 | 9807AQ0496 | 8320 S. 212TH STREET | KENT | WA | 98032 |
| 465 | 9807AQ0497 | 8320 S. 212TH STREET | KENT | WA | 98032 |
| 465 | 9807AQ0622 | OLD LACEY SQUARE | LACEY | WA | 98503 |
| 465 | 9807AQ0629 | OLD LACEY SQUARE | LACEY | WA | 98503 |
| 465 | 9807AQ0506 | 19808 44TH AVE. W. | LYNNWOOD | WA | 98036 |
| 465 | 9807AQ0516 | 19808 44TH AVE. W. | LYNNWOOD | WA | 98036 |
| 465 | 9807AQ0039 | 401 SOUTH GRADY WAY | RENTON | WA | 98055 |
| 465 | 9807AQ0183 | 401 SOUTH GRADY WAY | RENTON | WA | 98055 |
| 465 | 9807AQ0224 | NE 4TH & MONROE | RENTON | WA | 98055 |
| 465 | 9807AQ0228 | NE 4TH & MONROE | RENTON | WA | 98055 |
| 465 | 9807AQ0169 | 5400 14TH N.W. | SEATTLE | WA | 98107 |
| 465 | 9807AQ0170 | 5400 14TH N.W. | SEATTLE | WA | 98107 |
| 465 | 9807AQ0512 | 6305 MARTIN LUTHER KING WAY | SEATTLE | WA | 98118 |
| 465 | 9807AQ0513 | 6305 MARTIN LUTHER KING WAY | SEATTLE | WA | 98118 |
| 465 | 9807AQ0549 | 6305 MARTIN LUTHER KING WAY | SEATTLE | WA | 98118 |
| 465 | 9807AQ0551 | 6305 MARTIN LUTHER KING WAY | SEATTLE | WA | 98118 |
| 465 | 98078AQ0022 | 15620 1ST AVENUE SOUTH | SEATTLE | WA | 98148 |
| 465 | 9807AQ0059 | 15620 1ST AVENUE SOUTH | SEATTLE | WA | 98148 |
| 465 | 9807AQ0503 | 20315 MOUNTAIN HIGHWAY EAST | SPANAWAY | WA | 98387 |
| 465 | 9807AQ0510 | 20315 MOUNTAIN HIGHWAY EAST | SPANAWAY | WA | 98387 |
| 465 | 9807AQ0511 | 20315 MOUNTAIN HIGHWAY EAST | SPANAWAY | WA | 98387 |
| 465 | 9807AQ0518 | 20315 MOUNTAIN HIGHWAY EAST | SPANAWAY | WA | 98387 |
| 465 | 9807AQ0641 | 4647 SOUTH REGAL | SPOKANE | WA | 99203 |
| 465 | 9807AQ0643 | 4647 SOUTH REGAL | SPOKANE | WA | 99203 |
| 465 | 9807AQ0401 | 1906 MAIN STREET | SUMNER | WA | 98390 |
| 465 | 9808AQ0069 | 1906 MAIN STREET | SUMNER | WA | 98390 |
| 465 | 9808AQ3105 | 505 YELM AVE. WEST | YELM | WA | 98597 |
| 465 | 9808AQ03107 | 505 YELM AVE. WEST | YELM | WA | 98597 |
| 465 | 9808AQ1176 | 10915 PORTLAND AVE E | TACOMA | WA | 98445 |
| 465 | 9808AQ1182 | 804 S. HILL DRIVE | PUYALLUP | WA | 98373 |
| 465 | 9808AQ1183 | 10915 PORTLAND AVE E | TACOMA | WA | 98445 |

| FASC | S/N | STREET ADDRESS | CITY | STATE | ZIP |
|-------------|------------|-------------------------------|----------------|--------------|------------|
| 465 | 9808AQ1184 | 17245 HWY. 9 S.E. | CLEARVIEW | WA | 98290 |
| 465 | 9808AQ1185 | 17245 HWY. 9 S.E. | CLEARVIEW | WA | 98290 |
| 465 | 9808AQ1186 | 804 S. HILL DRIVE | PUYALLUP | WA | 98373 |
| 465 | 9808AQ1564 | HIGHWAY 410 | BONNEY LAKE | WA | 98390 |
| 465 | 9808AQ1565 | HWY 395 & 27TH | KENNEWICK | WA | 99337 |
| 465 | 9808AQ1568 | COLLEGE AVE & YELM HIGHWAY | LACEY | WA | 98503 |
| 465 | 9808AQ1590 | COLLEGE AVE & YELM HIGHWAY | LACEY | WA | 98503 |
| 471 | 9806AQ0186 | 7455 BRENTWOOD BLVD. | BRENTWOOD | CA | 94513 |
| 471 | 9807AQ1194 | 250 EAST ROBERTSON BLVD. | CHOWCHILLA | CA | 93610 |
| 471 | 9807AQ1198 | 250 EAST ROBERTSON BLVD. | CHOWCHILLA | CA | 93610 |
| 471 | 9807AQ1179 | 7850 LICHEN DRIVE | CITRUS HEIGHTS | CA | 95621 |
| 471 | 9808AQ0067 | 7850 LICHEN DRIVE | CITRUS HEIGHTS | CA | 95621 |
| 471 | 9807AQ1186 | 5222 WEST SHAW AVENUE | FRESNO | CA | 93722 |
| 471 | 9807AQ1187 | 5222 WEST SHAW AVENUE | FRESNO | CA | 93722 |
| 471 | 9807AQ0930 | AIRLINE HIGHWAY & SUNNY SLOPE | HOLLISTER | CA | 95023 |
| 471 | 9807AQ0931 | AIRLINE HIGHWAY & SUNNY SLOPE | HOLLISTER | CA | 95023 |
| 471 | 9807AQ0658 | 267 RESERVATION ROAD | MARINA | CA | 93933 |
| 471 | 9807AQ0659 | 267 RESERVATION ROAD | MARINA | CA | 93933 |
| 471 | 9807AQ0574 | 700 COURT STREET | MARTINEZ | CA | 94553 |
| 471 | 9807AQ0577 | 700 COURT STREET | MARTINEZ | CA | 94553 |
| 471 | 9807AQ0187 | 1101 EL CAMINO REAL | MILLBRAE | CA | 94030 |
| 471 | 9807AQ0189 | 1101 EL CAMINO REAL | MILLBRAE | CA | 94030 |
| 471 | 98078Q0814 | GREAT MALL DRIVE | MILPITAS | CA | 95035 |
| 471 | 9807AQ0213 | GREAT MALL DRIVE | MILPITAS | CA | 95035 |
| 471 | 9807AQ0501 | 952 EL MONTE AVENUE | MOUNTAIN VIEW | CA | 94040 |
| 471 | 9807AQ0505 | 952 EL MONTE AVENUE | MOUNTAIN VIEW | CA | 94040 |
| 471 | 9807AQ0030 | 1060 RENGSTORFF CENTER | MOUNTAIN VIEW | CA | 94040 |
| 471 | 9807AQ0031 | 1060 RENGSTORFF CENTER | MOUNTAIN VIEW | CA | 94040 |
| 471 | 9807AQ0543 | 4010 ALAMEDA AVE. | OAKLAND | CA | 94601 |
| 471 | 9807AQ0546 | 4010 ALAMEDA AVE. | OAKLAND | CA | 94601 |
| 471 | 9807AQ0102 | 9725 E. 14TH STREET | OAKLAND | CA | 94603 |
| 471 | 9807AQ0816 | 9725 E. 14TH STREET | OAKLAND | CA | 94603 |
| 471 | 9807AQ0090 | 3128 EL CAMINO REAL | PALO ALTO | CA | 94306 |
| 471 | 9807AQ0091 | 3128 EL CAMINO REAL | PALO ALTO | CA | 94306 |
| 471 | 9808AQ0074 | 801 EAST CYPRESS AVENUE | REDDING | CA | 96002 |
| 471 | 9808AQ0075 | 801 EAST CYPRESS AVENUE | REDDING | CA | 96002 |
| 471 | 9807AQ0471 | 185 CHESTNUT | REDWOOD CITY | CA | 94063 |
| 471 | 9807AQ0534 | 185 CHESTNUT | REDWOOD CITY | CA | 94063 |
| 471 | 9807AQ0488 | 536 WHIPPLE AVE | REDWOOD CITY | CA | 94063 |
| 471 | 9807AQ0493 | 536 WHIPPLE AVE | REDWOOD CITY | CA | 94063 |
| 471 | 9807AQ0194 | 17537 VIERRA CANYON | SALINAS | CA | 93907 |
| 471 | 9807AQ0235 | 17537 VIERRA CANYON | SALINAS | CA | 93907 |
| 471 | 9807AQ0917 | | SAN DIEGO | CA | 92145 |
| 471 | 9807AQ0104 | 820 BRYANT STREET | SAN FRANCISCO | CA | 94103 |
| 471 | 9807AQ0109 | 820 BRYANT STREET | SAN FRANCISCO | CA | 94103 |
| 471 | 9807AQ0499 | 302 POTRERO ST. | SAN FRANCISCO | CA | 94124 |
| 471 | 9807AQ0502 | 302 POTRERO ST. | SAN FRANCISCO | CA | 94124 |
| 471 | 9807AQ0826 | 5411 3RD STREET | SAN FRANCISCO | CA | 94124 |
| 471 | 9807AQ0925 | 5411 3RD STREET | SAN FRANCISCO | CA | 94124 |
| 471 | 9806AQ0150 | 90 E. SAN CARLOS ST. | SAN JOSE | CA | 95112 |
| 471 | 9806AQ0151 | 90 E. SAN CARLOS ST. | SAN JOSE | CA | 95112 |
| 471 | 9806AQ0328 | 1299 E. SANTA CLARA | SAN JOSE | CA | 95116 |
| 471 | 9806AQ0330 | 1299 E. SANTA CLARA | SAN JOSE | CA | 95116 |
| 471 | 9807AQ0191 | 2434 ALMANDEN ROAD | SAN JOSE | CA | 95125 |
| 471 | 9807AQ0232 | 2434 ALMANDEN ROAD | SAN JOSE | CA | 95125 |
| 471 | 9806AQ0331 | 1398 WEST SAN CARLOS STREET | SAN JOSE | CA | 95126 |
| 471 | 9806AQ0332 | 1398 WEST SAN CARLOS STREET | SAN JOSE | CA | 95126 |
| 471 | 9807AQ0569 | 990 PLAYA AVENUE | SAND CITY | CA | 93955 |
| 471 | 9807AQ0618 | 990 PLAYA AVENUE | SAND CITY | CA | 93955 |
| 471 | 9807AQ0485 | 1451 COLEMAN AVENUE | SANTA CLARA | CA | 95050 |
| 471 | 9807AQ0486 | 1451 COLEMAN AVENUE | SANTA CLARA | CA | 95050 |

| FASC | S/N | STREET ADDRESS | CITY | STATE | ZIP |
|-------------|------------|------------------------------------|-----------------|--------------|------------|
| 471 | 9807AQ0654 | 2642 SANTA ROSA AVENUE | SANTA ROSA | CA | 95407 |
| 471 | 9807AQ0655 | 2642 SANTA ROSA AVENUE | SANTA ROSA | CA | 95407 |
| 471 | 9807AQ0705 | 1169 WEST EL CAMINO | SUNNYVALE | CA | 94087 |
| 471 | 9807AQ0707 | 1169 WEST EL CAMINO | SUNNYVALE | CA | 94087 |
| 471 | 9807AQ0661 | 556 EAST EL CAMINO REAL | SUNNYVALE | CA | 94087 |
| 471 | 9807AQ0704 | 556 EAST EL CAMINO REAL | SUNNYVALE | CA | 94087 |
| 471 | 9807AQ0648 | EMPIRE DRIVE & STATE STREET | UKIAH | CA | 95482 |
| 471 | 9807AQ0711 | EMPIRE DRIVE & STATE STREET | UKIAH | CA | 95482 |
| 471 | 9807AQ0815 | 990 ALAMO | VACAVILLE | CA | 95687 |
| 471 | 9807AQ0817 | 990 ALAMO | VACAVILLE | CA | 95687 |
| 471 | 9807AQ0513 | SONOMA BLVD/ MINI DRIVE | VALLEJO | CA | 94590 |
| 471 | 9807AQ0811 | SONOMA BLVD/ MINI DRIVE | VALLEJO | CA | 94590 |
| 471 | 9807AQ0937 | SONOMA BLVD/ MINI DRIVE | VALLEJO | CA | 94590 |
| 471 | 9808AQ0816 | 3459 MT DIABLO BLVD | LAFAYETTE | CA | 94549 |
| 471 | 9808AQ0825 | 3459 MT DIABLO BLVD | LAFAYETTE | CA | 94549 |
| 471 | 9808AQ1014 | 1627 S MOONEY BLVD | VISALIA | CA | 93277 |
| 471 | 9808AQ1015 | 1627 S MOONEY BLVD | VISALIA | CA | 93277 |
| 471 | 9808AQ1016 | 3600 W MINERAL KING AVE | VISALIA | CA | 93291 |
| 471 | 9808AQ1019 | 3600 W MINERAL KING AVE | VISALIA | CA | 93291 |
| 471 | 9808AQ1554 | 163 BRANHAM LN | SAN JOSE | CA | 95136 |
| 471 | 9808AQ1561 | 1000 CROW CANYON ROAD | DANVILLE | CA | 94526 |
| 471 | 9808AQ1562 | 1000 CROW CANYON ROAD | DANVILLE | CA | 94526 |
| 471 | 9808AQ1567 | 163 BRANHAM LN | SAN JOSE | CA | 95136 |
| 646 | 9807AQ0487 | ROUTE 4 & HARMONEY ROAD | NEWARK | DE | 19713 |
| 646 | 9807AQ0490 | ROUTE 4 & HARMONEY ROAD | NEWARK | DE | 19713 |
| 646 | 9807AQ0012 | 3318/20 KIRKWOOD HIGHWAY | WILMINGTON | DE | 19808 |
| 646 | 9807AQ0013 | 3318/20 KIRKWOOD HIGHWAY | WILMINGTON | DE | 19808 |
| 646 | 9806AQ0226 | 1201 TILTON ROAD | NORTHFIELD | NJ | 08225 |
| 646 | 9806AQ0229 | 1201 TILTON ROAD | NORTHFIELD | NJ | 08225 |
| 646 | 9806AQ0112 | BURLINGTON-MT. HOLLY | WESTAMPTON | NJ | 08060 |
| 646 | 9806AQ0114 | BURLINGTON-MT. HOLLY | WESTAMPTON | NJ | 08060 |
| 646 | 9806AQ0016 | 119 WEST BUTLER AVENUE | AMBLER | PA | 19002 |
| 646 | 9806AQ0254 | 119 WEST BUTLER AVENUE | AMBLER | PA | 19002 |
| 646 | 9807AQ0011 | 1820 EAST LINCOLN HIGHWAY | COATESVILLE | PA | 19320 |
| 646 | 9807AQ0146 | 1820 EAST LINCOLN HIGHWAY | COATESVILLE | PA | 19320 |
| 646 | 9807AQ0838 | 106 EAGLEVIEW BLVD. | EXTON | PA | 19341 |
| 646 | 9807AQ0876 | 106 EAGLEVIEW BLVD. | EXTON | PA | 19341 |
| 646 | 9806AQ0197 | 121 NORTH YORK ROAD | HATBORO | PA | 19040 |
| 646 | 9806AQ0210 | 121 NORTH YORK ROAD | HATBORO | PA | 19040 |
| 646 | 9807AQ0886 | #3 NEW GARDEN SHOPPING CTR | KENNETT SQUARE | PA | 19348 |
| 646 | 9807AQ0891 | #3 NEW GARDEN SHOPPING CTR | KENNETT SQUARE | PA | 19348 |
| 646 | 9807AQ0870 | ROUTE 202 & LENAPE AVE. | NEW BRITAIN | PA | 18901 |
| 646 | 9807AQ0872 | ROUTE 202 & LENAPE AVE. | NEW BRITAIN | PA | 18901 |
| 646 | 9806AQ0142 | 324 W BRIDGE STREET | NEW HOPE | PA | 18938 |
| 646 | 9806AQ0144 | 324 W BRIDGE STREET | NEW HOPE | PA | 18938 |
| 646 | 9807AQ0632 | ROUTE 309 NORTH | NORTH WALES | PA | 19454 |
| 646 | 9807AQ0634 | ROUTE 309 NORTH | NORTH WALES | PA | 19454 |
| 646 | 9806AQ0222 | CHILDRENS HOSPITAL OF PENNSYLVANIA | PHILADELPHIA | PA | 19104 |
| 646 | 9806AQ0228 | CHILDRENS HOSPITAL OF PENNSYLVANIA | PHILADELPHIA | PA | 19104 |
| 646 | 9806AQ0181 | 2801 COTTMAN AVENUE | PHILADELPHIA | PA | 19149 |
| 646 | 9806AQ0184 | 2801 COTTMAN AVENUE | PHILADELPHIA | PA | 19149 |
| 646 | 9807AQ0881 | RT. 309 SOUTH | QUAKERTOWN | PA | 18951 |
| 646 | 9807AQ0894 | RT. 309 SOUTH | QUAKERTOWN | PA | 18951 |
| 646 | 9806AQ0143 | 114 MOOREHEAD AVENUE | W. CONSHOHOCKEN | PA | 19428 |
| 646 | 9808AQ1538 | 9996 ROOSEVELT BLVD | PHILADELPHIA | PA | 19115 |
| 646 | 9808AQ1541 | 9996 ROOSEVELT BLVD | PHILADELPHIA | PA | 19115 |
| 646 | 9807AQ0373 | 4317 FORT HENRY DRIVE | KINGSPORT | TN | 37662 |
| 663 | 9806AQ0224 | 350 BLOOMFIELD AVENUE | WINDSOR | CT | 06095 |
| 663 | 9806AQ0225 | 350 BLOOMFIELD AVENUE | WINDSOR | CT | 06095 |
| 663 | 9808AQ1030 | 350 BLOOMFIELD AVENUE | WINDSOR | CT | 06095 |
| 663 | 9808AQ1031 | 350 BLOOMFIELD AVENUE | WINDSOR | CT | 06095 |

| FASC | S/N | STREET ADDRESS | CITY | STATE | ZIP |
|-------------|-------------|------------------------------|----------------|--------------|------------|
| 663 | 9808AQ1030 | 350 BLOOMFIELD AVE | WINDSOR | CT | 06095 |
| 663 | 9808AQ1031 | 350 BLOOMFIELD AVE | WINDSOR | CT | 06095 |
| 663 | 9807AQ0416 | WASHINGTON STREET & RT 27 | CANTON | MA | 02021 |
| 663 | 9807AQ0421 | WASHINGTON STREET & RT 27 | CANTON | MA | 02021 |
| 663 | 9807AQ0842 | 1040 MAIN STREET | CLINTON | MA | 01510 |
| 663 | 9807AQ0879 | 1040 MAIN STREET | CLINTON | MA | 01510 |
| 663 | 9807AQ0709 | 77 HIGH STREET | DANVERS | MA | 01923 |
| 663 | 9807AQ0712 | 77 HIGH STREET | DANVERS | MA | 01923 |
| 663 | 9807AQ0702 | SOMMER STREET (RT 53)@ RT 3A | KINGSTON | MA | 02364 |
| 663 | 9807AQ0869 | SOMMER STREET (RT 53)@ RT 3A | KINGSTON | MA | 02364 |
| 663 | 9807AQ0702 | 164 NORTHBORO STREET | MARLBOROUGH | MA | 01752 |
| 663 | 9806AQ0264 | 164 NORTHBORO STREET | MARLBOROUGH | MA | 01752 |
| 663 | 9806AQ0115 | 145 FAUNCE CORNER ROAD | N. DARTMOUTH | MA | 02747 |
| 663 | 9806AQ0117 | 145 FAUNCE CORNER ROAD | N. DARTMOUTH | MA | 02747 |
| 663 | 9807AQ0594 | BRIDGE STREET | N. WEYMOUTH | MA | 02191 |
| 663 | 9807AQ0597 | BRIDGE STREET | N. WEYMOUTH | MA | 02191 |
| 663 | 9807AQ1193 | BRIDGE STREET | N. WEYMOUTH | MA | 02191 |
| 663 | 9808AQ1021 | BRIDGE STREET | N. WEYMOUTH | MA | 02191 |
| 663 | 9807AQ0639 | 299 TURNPIKE ROAD | WESTBORO | MA | 01581 |
| 663 | 9807AQ0640 | 299 TURNPIKE ROAD | WESTBORO | MA | 01581 |
| 663 | 9807AQ0727 | ROUTE 12 SPRING STREET | WINCHENDON | MA | 01475 |
| 663 | 9807AQ0735 | ROUTE 12 SPRING STREET | WINCHENDON | MA | 01475 |
| 663 | 9807AQ0043 | 231 WASHINGTON STREET | CLAREMONT | NH | 03743 |
| 663 | 9807AQ0444 | 231 WASHINGTON STREET | CLAREMONT | NH | 03743 |
| 663 | 9807AQ0719 | ROUTE 4 & 125 | LEE | NH | 03060 |
| 663 | 9807AQ0720 | ROUTE 4 & 125 | LEE | NH | 03060 |
| 695 | 9807AQ1 139 | 7425 GEORGIA AVENUE N.W. | WASHINGTON | DC | 20012 |
| 695 | 9807AQI 147 | 7425 GEORGIA AVENUE N.W. | WASHINGTON | DC | 20012 |
| 695 | 9807AQ1150 | 5796 COVENTRY LANE | FORT WAYNE | IN | 46804 |
| 695 | 9807AQ0030 | 15569 OLD COLUMBIA PIKE | BURTONSVILLE | MD | 20866 |
| 695 | 9807AQ0339 | 15569 OLD COLUMBIA PIKE | BURTONSVILLE | MD | 20866 |
| 695 | 9807AQ0809 | 83 BUREAU DRIVE | GAITHERSBURG | MD | 20878 |
| 695 | 9807AQ0806 | 83 BUREAU DRIVE | GAITHERSBURG | MD | 20878 |
| 695 | 9807AQ0270 | 19660 GUNNERS BRANCH RD | GERMANTOWN | MD | 20874 |
| 695 | 9807AQ0274 | 19660 GUNNERS BRANCH RD | GERMANTOWN | MD | 20874 |
| 695 | 9807AQ0269 | 2741 UNIVERSITY BLVD | KENSINGTON | MD | 20895 |
| 695 | 9807AQ0272 | 2741 UNIVERSITY BLVD | KENSINGTON | MD | 20895 |
| 695 | 9807AQ0331 | 40950 MERCHANTS LANE | LEONARDTOWN | MD | 20650 |
| 695 | 9807AQ0334 | 40950 MERCHANTS LANE | LEONARDTOWN | MD | 20650 |
| 695 | 9807AQ0808 | 18010 GEORGIA AVENUE | OLNEY | MD | 20832 |
| 695 | 9807AQ0813 | 18010 GEORGIA AVENUE | OLNEY | MD | 20832 |
| 695 | 9807AQ0004 | 12312 GEORGIA AVE | SILVER SPRINGS | MD | 20906 |
| 695 | 9807AQ0386 | 12312 GEORGIA AVENUE | SILVER SPRINGS | MD | 20906 |
| 695 | 9807AQ0773 | 8507 COLESVILLE | SILVER SPRINGS | MD | 20907 |
| 695 | 9807AQ0774 | 8507 COLESVILLE | SILVER SPRINGS | MD | 20907 |
| 695 | 9808AQ0293 | 43345 JUNCTION PLAZA | ASHBURN | VA | 20147 |
| 695 | 9808AQ0298 | 43345 JUNCTION PLAZA | ASHBURN | VA | 20147 |
| 695 | 9808AQ0372 | 44131 ASHBURN VILLAGE BLVD | ASHBURN | VA | 20147 |
| 695 | 9808AQ0479 | 44131 ASHBURN VILLAGE BLVD | ASHBURN | VA | 20147 |
| 695 | 9808AQ0481 | 9528 OLD KEENE MILL RD | BURKE | VA | 22015 |
| 695 | 9808AQ0482 | 9528 OLD KEENE MILL RD | BURKE | VA | 22015 |
| 695 | 9807AQ0971 | 545 FERRY ROAD | FREDERICKSBURG | VA | 22405 |
| 695 | 9807AQ0978 | 545 FERRY ROAD | FREDERICKSBURG | VA | 22405 |
| 695 | 9808AQ0025 | 5420 JEFFERSON DAVIS HGWY | FREDERICKSBURG | VA | 22401 |
| 695 | 9808AQ0029 | 5420 JEFFERSON DAVIS HGWY | FREDERICKSBURG | VA | 22401 |
| 695 | 9807AQ0677 | 14207 LEE HIGHWAY | GAINESVILLE | VA | 20155 |
| 695 | 9807AQ0584 | 11445 JAMES MADISON HIGHWAY | GORDONSVILLE | VA | 22942 |
| 695 | 9807AQ0726 | 11445 JAMES MADISON HIGHWAY | GORDONSVILLE | VA | 22942 |
| 695 | 9808AQ1020 | 11445 JAMES MADISON HIGHWAY | GORDONSVILLE | VA | 22942 |
| 695 | 9807AQ0302 | 10730 BALLS FORD RD | MANASSAS | VA | 20110 |
| 695 | 9807AQ0304 | 10730 BALLS FORD RD | MANASSAS | VA | 20110 |

| FASC | S/N | STREET ADDRESS | CITY | STATE | ZIP |
|-------------|------------|-------------------------------|---------------|--------------|------------|
| 695 | 9808AQ0091 | 2700 W. BROAD STREET | RICHMOND | VA | 23220 |
| 695 | 9808AQ0093 | 2700 W. BROAD STREET | RICHMOND | VA | 23220 |
| 695 | 9808AQ0288 | 8928 BURKE LAKE RD. | SPRINGFIELD | VA | 22151 |
| 695 | 9808AQ0296 | 8928 BURKE LAKE RD. | SPRINGFIELD | VA | 22151 |
| 695 | 9808AQ0484 | 20961 SOUTHBANK STREET | STERLING | VA | 20165 |
| 695 | 9808AQ0485 | 20961 SOUTHBANK STREET | STERLING | VA | 20165 |
| 695 | 9808AQ0262 | 20880 PIDGEON HILL DRIVE | STERLING | VA | 20165 |
| 695 | 9808AQ0376 | 20880 PIDGEON HILL DRIVE | STERLING | VA | 20165 |
| 695 | 9808AQ1020 | 11445 JAMES MADISON HWY | GORDONSVILLE | VA | 22942 |
| 695 | 9808AQ1021 | 916 E ATLANTIC ST | SOUTH HILL | VA | 23970 |
| 695 | 9808AQ1025 | 9751 WEST BROAD ST | RICHMOND | VA | 23229 |
| 695 | 9808AQ1584 | 11218 W BROAD ST | GLEN ALLEN | VA | 23060 |
| 695 | 9808AQ1585 | 11218 W BROAD ST | GLEN ALLEN | VA | 23060 |
| 697 | 9808AQ0294 | 5704 GRAPE RD AT INDIAN RIDGE | MISHAWAKA | IN | 46544 |
| 746 | 9808AQ1027 | 738 BROADWAY | SAUGUS | MA | 01906 |
| 746 | 9808AQ1546 | 607 WASHINGTON ST | DORCHESTER | MA | 02124 |
| 897 | 9807AQ0193 | 9825 WEST 58TH AVENUE | ARVADA | CO | 80004 |
| 897 | 9807AQ0196 | 9825 WEST 58TH AVENUE | ARVADA | CO | 80004 |
| 897 | 9807AQ0820 | 18181 EAST HAMPDEN | AURORA | CO | 80013 |
| 897 | 9807AQ0821 | 18181 EAST HAMPDEN | AURORA | CO | 80013 |
| 897 | 9807AQ0714 | 13900 E. HARBARD AV, STE 202 | AURORA | CO | 80014 |
| 897 | 9807AQ0717 | 13900 E. HARBARD AVE, STE 202 | AURORA | CO | 80014 |
| 897 | 9806AQ0266 | 6462 PARKER RAOD | AURORA | CO | 80016 |
| 897 | 9806AQ0267 | 6462 PARKER RAOD | AURORA | CO | 80016 |
| 897 | 9807AQ0559 | 2850 W ALAMEDA | DENVER | CO | 80219 |
| 897 | 9807AQ0561 | 2850 W ALAMEDA | DENVER | CO | 80219 |
| 897 | 9807AQ0844 | HORSETOOTH & TIMBERLINE | FORT COLLINS | CO | 80525 |
| 897 | 9807AQ0866 | HORSETOOTH & TIMBERLINE | FORT COLLINS | CO | 80525 |
| 897 | 9808AQ0406 | 5770 WEST 88TH AVENUE | WESTMINSTER | CO | 80030 |
| 897 | 9808AQ0409 | 5770 WEST 88TH AVENUE | WESTMINSTER | CO | 80030 |
| 897 | 9808AQ0810 | 5155 W 72ND AVE | WESTMINSTER | CO | 80030 |
| 897 | 9808AQ1573 | 1905 S FEDERAL BLVD | DENVER | CO | 80219 |
| 897 | 9808AQ1575 | 1905 S FEDERAL BLVD | DENVER | CO | 80219 |
| 897 | 9807AQ0864 | 8501 GOLF COURSE RD. N.E. | ALBUQUERQUE | NM | 87114 |
| 897 | 9807AQ0873 | 8501 GOLF COURSE RD. N.E. | ALBUQUERQUE | NM | 87114 |
| 897 | 9805AQ2592 | 13301 CENTRAL, N. E. | ALBUQUERQUE | NM | 87123 |
| 897 | 9805AQ2593 | 13301 CENTRAL, N. E. | ALBUQUERQUE | NM | 87123 |
| 897 | 9806AQ0314 | 2904 E. MABRY DRIVE | CLOVIS | NM | 88101 |
| 897 | 9806AQ0315 | 2904 E. MABRY DRIVE | CLOVIS | NM | 88101 |
| 897 | 9807AQ0627 | 2904 E. MABRY DRIVE | CLOVIS | NM | 88101 |
| 897 | 9807AQ0628 | 2904 E. MABRY DRIVE | CLOVIS | NM | 88101 |
| 897 | 9807AQ0407 | 1020 WEST 1ST STREET | PORTALES | NM | 88130 |
| 897 | 9807AQ0408 | 1020 WEST 1ST STREET | PORTALES | NM | 88130 |
| 897 | 9807AQ0715 | 23RD & SOUTHERN | RIO RANCHO | NM | 87124 |
| 897 | 9807AQ0718 | 23RD & SOUTHERN | RIO RANCHO | NM | 87124 |
| 897 | 9806AQ0089 | 1804 SOUTH MAIN | ROSWELL | NM | 88201 |
| 897 | 9806AQ0093 | 1804 SOUTH MAIN | ROSWELL | NM | 88201 |
| 897 | 9807AQ0621 | 2109 NORTH DATE STREET | TRUTH OR CONS | NM | 87901 |
| 897 | 9807AQ0623 | 2109 NORTH DATE STREET | TRUTH OR CONS | NM | 87901 |
| 897 | 9808AQ1566 | UNIVERSITY OF NEW MEXICO | ALBUQUERQUE | NM | 87131 |
| 905 | 9807AQ0427 | 2484 E. MAIN ST | BEXLEY | OH | 43209 |
| 905 | 9807AQ0429 | 2484 E. MAIN ST | BEXLEY | OH | 43209 |
| 905 | 9807AQ0303 | 663 LINCON E AVENUE | CADIZ | OH | 43907 |
| 905 | 9807AQ0558 | 663 LINCON E AVENUE | CADIZ | OH | 43907 |
| 905 | 9807AQ0870 | 14789 STATE ROUTE 103 | CAREY | OH | 43316 |
| 905 | 9807AQ1188 | 14789 STATE ROUTE 103 | CAREY | OH | 43316 |
| 905 | 9806AQ0306 | 8339 COLERAIN AVENUE | CINCINNATI | OH | 45224 |
| 905 | 9806AQ0312 | 8339 COLERAIN AVENUE | CINCINNATI | OH | 45224 |
| 905 | 9807AQ0412 | 1300 S. COURT STREET | CIRCLEVILLE | OH | 43113 |
| 905 | 9807AQ0417 | 1300 S. COURT STREET | CIRCLEVILLE | OH | 43113 |
| 905 | 9807AQ0508 | 120 TERRACE AVENUE | COLDWATER | OH | 45828 |

| FASC | S/N | STREET ADDRESS | CITY | STATE | ZIP |
|-------------|-------------|-------------------------------|----------------|--------------|------------|
| 905 | 9807AQ1184 | 120 TERRACE AVENUE | COLDWATER | OH | 45828 |
| 905 | 9807AQ0420 | 3411 CLEVELAND AVENUE | COLUMBUS | OH | 43224 |
| 905 | 9807AQ0426 | 3411 CLEVELAND AVENUE | COLUMBUS | OH | 43224 |
| 905 | 9807AQ0423 | 901 E. WILSON RD. | COLUMBUS | OH | 43228 |
| 905 | 9807AQ0424 | 901 E. WILSON RD. | COLUMBUS | OH | 43228 |
| 905 | 9807AQ0428 | 4840 HAMILTON RD | COLUMBUS | OH | 43230 |
| 905 | 9807AQ0430 | 4840 HAMILTON RD | COLUMBUS | OH | 43230 |
| 905 | 9807AQ80397 | 2757 ALEX-BELL ROAD | DAYTON | OH | 45459 |
| 905 | 9807AQ80418 | 2757 ALEX-BELL ROAD | DAYTON | OH | 45459 |
| 905 | 9807AQ0880 | 608 WEST CENTRAL AVENUE | DELAWARE | OH | 43015 |
| 905 | 9807AQ0882 | 608 WEST CENTRAL AVENUE | DELAWARE | OH | 43015 |
| 905 | 9807AQ0738 | 1051 ELIDA AVE | DELPHOS | OH | 45833 |
| 905 | 9807AQ0850 | 1051 ELIDA AVE | DELPHOS | OH | 45833 |
| 905 | 9807AQ0845 | 2455 SHAWNEE ROAD | LIMA | OH | 45806 |
| 905 | 9807AQ0855 | 2455 SHAWNEE ROAD | LIMA | OH | 45806 |
| 905 | 9807AQ0582 | 15-21 SOUTH THIRD STRET | NEWARK | OH | 43055 |
| 905 | 9808AQ1123 | US ROUTE 52 | NEW RICHMOND | OH | 45157 |
| 905 | 9808AQ1169 | HC 66 | MINSTER | OH | 45865 |
| 905 | 9808AQ1172 | HC 66 | MINSTER | OH | 45865 |
| 905 | 9808AQ1344 | 1740 E 2ND ST | DEFIANCE | OH | 43512 |
| 997 | 9807AQ0904 | 202 EAST RUDISILL | FORT WAYNE | IN | 46806 |
| 997 | 9807AQ0963 | 202 EAST RUDISILL | FORT WAYNE | IN | 46806 |
| 997 | 9807AQ1 158 | 5796 COVENTRY LANE | FORT WAYNE | IN | 46804 |
| 997 | 9807AQ359 | U.S. 35 (US 35) | KNOX | IN | 46534 |
| 997 | 9807AQ0361 | U.S. 35 (US 35) | KNOX | IN | 46534 |
| 997 | 9807AQ0360 | 1304 NORTH REED RD | KOKOMO | IN | 46901 |
| 997 | 9807AQ0236 | 5704 GRAPE RD AT INDIAN RIDGE | MISHAWAKA | IN | 46544 |
| 997 | 9807AQ0241 | 5704 GRAPE RD AT INDIAN RIDGE | MISHAWAKA | IN | 46544 |
| 997 | 9807AQ0332 | 1304 NORTH REED RD | KOKOMO | IN | 46901 |
| 1020 | 9807AQ0730 | MICHIGAN AVE. & CANTON CENTER | CANTON | MI | 48187 |
| 1020 | 9807AQ0734 | MICHIGAN AVE. & CANTON CENTER | CANTON | MI | 48187 |
| 1020 | 9807AQ0657 | 6180 W. MAIN STREET | CASS CITY | MI | 48726 |
| 1020 | 9807AQ0728 | 6180 W. MAIN STREET | CASS CITY | MI | 48726 |
| 1020 | 9807AQ0237 | 150 E. RYNO RD | COLOMA | MI | 49038 |
| 1020 | 9807AQ0238 | 150 E. RYNO RD | COLOMA | MI | 49038 |
| 1020 | 9807AQ0852 | 9134 SPICERVILLE HIGHWAY | EATON RAPIDS | MI | 48827 |
| 1020 | 9807AQ0858 | 9134 SPICERVILLE HIGHWAY | EATON RAPIDS | MI | 48827 |
| 1020 | 9807AQ0703 | 1495 CENTER ROAD | ESSEXVILLE | MI | 48732 |
| 1020 | 9807AQ0708 | 1495 CENTER ROAD | ESSEXVILLE | MI | 48732 |
| 1020 | 9806AQ0148 | 1231 WEST STATE STREET | HASTINGS | MI | 49058 |
| 1020 | 9806AQ0153 | 1231 WEST STATE STREET | HASTINGS | MI | 49058 |
| 1020 | 9807AQ0724 | 15187 NORTH HOLLY ROAD | HOLLY | MI | 48442 |
| 1020 | 9807AQ0733 | 15187 NORTH HOLLY ROAD | HOLLY | MI | 48442 |
| 1020 | 9807AQ0725 | 3135 S. MLK BLVD. | LANSING | MI | 48910 |
| 1020 | 9807AQ0729 | 3135 S. MLK BLVD. | LANSING | MI | 48910 |
| 1020 | 9806AQ0139 | 4902 SOUTH WAVERLY | LANSING | MI | 48910 |
| 1020 | 9806AQ0145 | 4902 SOUTH WAVERLY | LANSING | MI | 48910 |
| 1020 | 9807AQ0888 | 1804 SOUTH MISSION STREET | MOUNT PLEASANT | MI | 48858 |
| 1020 | 9807AQ0889 | 1804 SOUTH MISSION STREET | MOUNT PLEASANT | MI | 48858 |
| 1020 | 9807AQ0652 | U.S. 27 M20 | MOUNT PLEASANT | MI | 48858 |
| 1020 | 9807AQ0888 | U.S. 27 M20 | MOUNT PLEASANT | MI | 48858 |
| 1020 | 9806AQ0242 | 16515 FORT STREET | SOUTHGATE | MI | 48195 |
| 1020 | 9806AQ0244 | 16515 FORT STREET | SOUTHGATE | MI | 48195 |
| 1020 | 9807AQ0721 | 105 NORTH MAIN STREET | YALE | MI | 48097 |
| 1020 | 9807AQ0722 | 105 NORTH MAIN STREET | YALE | MI | 48097 |
| 1020 | 9808AQ1350 | U.S. 131 & 66 | MANCELONA | MI | 49659 |
| 1020 | 9808AQ1549 | 3781 E GRAND RIVER AVE | HOWELL | MI | 48843 |
| 1020 | 9808AQ1550 | 3781 E GRAND RIVER AVE | HOWELL | MI | 48843 |
| 1020 | 9808AQ1587 | 7370 GENESEE STREET | GENESEE | MI | 48437 |
| 1039 | 9806AQ0170 | 6084 SOUTH FIRST | MILAN | TN | 38358 |
| 1039 | 9806AQ0171 | 6084 SOUTH FIRST | MILAN | TN | 38358 |

| FASC | S/N | STREET ADDRESS | CITY | STATE | ZIP |
|-------------|------------|-----------------------------------|---------------------|--------------|------------|
| 1054 | 9806AQ0217 | 606 4TH AVE SE | RED BAY | AL | 35582 |
| 1054 | 9806AQ0223 | 606 4TH AVE SE | RED BAY | AL | 35582 |
| 1054 | 9808AQ1017 | 6501 INTERSTATE LANE | COTTONDALE | AL | 35453 |
| 1054 | 9808AQ1017 | 6501 INTERSTATE LANE | COTTONDALE | AL | 35453 |
| 1054 | 9808AQ1033 | 6501 INTERSTATE LANE | COTTONDALE | AL | 35453 |
| 1054 | 9808AQ1033 | 6501 INTERSTATE LANE | COTTONDALE | AL | 35453 |
| 1086 | 9807AQ0436 | 7030 PALMETTO PARK ROAD | BOCA RATON | FL | 33433 |
| 1086 | 9807AQ0439 | 7030 PALMETTO PARK ROAD | BOCA RATON | FL | 33433 |
| 1086 | 9807AQ0425 | 1148 SOUTH DIXIE HIGHWAY | CORAL GABLES | FL | 33134 |
| 1086 | 9807AQ0438 | 1148 SOUTH DIXIE HIGHWAY | CORAL GABLES | FL | 33134 |
| 1086 | 9806AQ0231 | 4300 EAST FOURTH AVENUE | HIALEAH | FL | 33010 |
| 1086 | 9806AQ0232 | 4300 EAST FOURTH AVENUE | HIALEAH | FL | 33010 |
| 1086 | 9807AQ0489 | 1675 W. 49TH STREET | HIALEAH | FL | 33012 |
| 1086 | 9807AQ0441 | 3355 WEST 80TH STREET | HIALEAH | FL | 33018 |
| 1086 | 9807AQ0442 | 3355 WEST 80TH STREET | HIALEAH | FL | 33018 |
| 1086 | 9807AQ0435 | 1101 WEST 49TH STREET | MIAMI | FL | 33012 |
| 1086 | 9807AQ0449 | 1101 WEST 49TH STREET | MIAMI | FL | 33012 |
| 1086 | 9807AQ0434 | 3747 NW 7TH STREET | MIAMI | FL | 33126 |
| 1086 | 9807AQ0437 | 3747 NW 7TH STREET | MIAMI | FL | 33126 |
| 1086 | 9806AQ0233 | 14401 S. DIXIE HIGHWAY | MIAMI | FL | 33176 |
| 1086 | 9807AQ0857 | 163 & W. DIXIE HIGHWAY | NORTH MIAMI BEA | FL | 33162 |
| 1086 | 9807AQ0862 | 163 & W. DIXIE HIGHWAY | NORTH MIAMI BEA | FL | 33162 |
| 1086 | 9808AQ1425 | 6342 LANTANA ROAD | LANTANA | FL | 33462 |
| 1086 | 9808AQ1533 | 6342 LANTANA ROAD | LANTANA | FL | 33462 |
| 1149 | 9807AQ0584 | US ROUTE 23 | GREENUP | KY | 41144 |
| 1149 | 9807AQ0586 | 1946 STANTON WAY | LEXINGTON | KY | 40511 |
| 1149 | 9807AQ0588 | 1946 STANTON WAY | LEXINGTON | KY | 40511 |
| 1149 | 9807AQ0573 | ROUTES 14, 28 & 122 | MARTIN | KY | 41649 |
| 1149 | 9807AQ0575 | ROUTES 14, 28 & 122 | MARTIN | KY | 41649 |
| 1149 | 9807AQ0787 | 499 INDIAN MOUND DR (WAL*MART) | MT STERLING | KY | 40353 |
| 1149 | 9806AQ0240 | RT 23, PRESTONSBURG VILLAGE | PRESTONSBURG | KY | 41653 |
| 1149 | 9806AQ0241 | RT 23, PRESTONSBURG VILLAGE | PRESTONSBURG | KY | 41653 |
| 1149 | 9808AQ1122 | 101 GLADES RD | BEREA | KY | 40403 |
| 1149 | 9808AQ0682 | 101 GLADES RD | BEREA | KY | 40403 |
| 1396 | 9807AQ0215 | 1575 NORTHGATE MILE | IDAHO FALLS | ID | 83401 |
| 1396 | 9807AQ0218 | 1575 NORTHGATE MILE | IDAHO FALLS | ID | 83401 |
| 1396 | 9808AQ1119 | CHEVRON STATION | SPARKS | NV | 89434 |
| 1396 | 9807AQ062 | 1155 N. HILLFIELD RD | LAYTON | UT | 84041 |
| 1396 | 9807AQ084 | 1155 N. HILLFIELD RD | LAYTON | UT | 84041 |
| 1396 | 9807AQ0015 | 425 WEST 7200 SOUTH | MIDVALE | UT | 84047 |
| 1396 | 9807AQ0210 | 425 WEST 7200 SOUTH | MIDVALE | UT | 84047 |
| 1396 | 9806AQ0270 | 4452 S. 300 W. | MURRAY | UT | 84107 |
| 1396 | 9806AQ0277 | 4452 S. 300 W. | MURRAY | UT | 84107 |
| 1396 | 9807AQ0482 | 945 EAST 2100 SOUTH | SALT LAKE CITY | UT | 84106 |
| 1396 | 9807AQ0815 | 945 EAST 2100 SOUTH | SALT LAKE CITY | UT | 84106 |
| 1396 | 9807AQ0484 | 210 W. 5TH SOUTH | SALT LAKE CITY | UT | 84106 |
| 1396 | 9807AQ0817 | 210 W. 5TH SOUTH | SALT LAKE CITY | UT | 84106 |
| 1396 | 9806AQ0273 | 9346 SOUTH 7TH EAST | SANDY | UT | 84070 |
| 1396 | 9807AQ0214 | 9346 SOUTH 7TH EAST | SANDY | UT | 84070 |
| 1396 | 9807AQ0040 | 6200 SOUTH 4600 WEST | WEST JORDAN | UT | 84084 |
| 1396 | 9807AQ0479 | 6200 SOUTH 4600 WEST | WEST JORDAN | UT | 84084 |
| 1446 | 9807AQ0865 | ROUTE 206 & LAKE LACKAWANNA DRIVE | ANDOVER (BYRAM) | NJ | 07821 |
| 1446 | 9807AQ0871 | ROUTE 206 & LAKE LACKAWANNA DRIVE | ANDOVER (BYRAM) | NJ | 07821 |
| 1446 | 9807AQ0141 | 537 BROADWAY | BAYONNE | NJ | 07002 |
| 1446 | 9807AQ0145 | 537 BROADWAY | BAYONNE | NJ | 07002 |
| 1446 | 9806AQ0262 | 255 ROUTE 1130 | BORDENTOWN | NJ | 08505 |
| 1446 | 9806AQ0265 | 255 ROUTE 1130 | BORDENTOWN | NJ | 08505 |
| 1446 | 9807AQ0385 | ROUTE 130 AND DUTCHNECK ROAD | E. WINDSOR TOWNSHIP | NJ | 08520 |
| 1446 | 9807AQ0406 | ROUTE 130 AND DUTCHNECK ROAD | E. WINDSOR TOWNSHIP | NJ | 08520 |
| 1446 | 9807AQ0507 | 564 NEWARK AVENUE | JERSEY CITY | NJ | 07306 |
| 1446 | 9807AQ0723 | 2603 SOUTH BROAD STREET | TRENTON | NJ | 08610 |

| FASC | S/N | STREET ADDRESS | CITY | STATE | ZIP |
|-------------|------------|-----------------------------|-----------------|--------------|------------|
| 1446 | 9807AQ0740 | 2603 SOUTH BROAD STREET | TRENTON | NJ | 08610 |
| 1465 | 9808AQ0592 | 5440 HIGHWAY 153 | CHATTANOOGA | TN | 37343 |
| 1465 | 9807AQ0431 | THIRD & O'NEAL | CHATTANOOGA | TN | 37403 |
| 1465 | 9807AQ0445 | THIRD & O'NEAL | CHATTANOOGA | TN | 37403 |
| 1465 | 9807AQ0311 | 215 BDOAD STREET | ELIZABETHTON | TN | 37643 |
| 1465 | 9807AQ0314 | 215 BROAD STREET | ELIZABETHTON | TN | 37643 |
| 1465 | 9807AQ0576 | U.S. 11 BY PASS | GREENEVILLE | TN | 37743 |
| 1465 | 9807AQ0653 | U.S. 11 BY PASS | GREENEVILLE | TN | 37743 |
| 1465 | 9807AQ0297 | 1710 W. MARKET ST | JOHNSON CITY | TN | 37601 |
| 1465 | 9807AQ0299 | 1710 W. MARKET ST | JOHNSON CITY | TN | 37601 |
| 1465 | 9808AQ0695 | 5440 HIGHWAY 153 | CHATTANOOGA | TN | 37343 |
| 1510 | 9807AQ0351 | 910 KEEAUMOKU STREET | HONOLULU | HI | 96814 |
| 1510 | 9807AQ0354 | 910 KEEAUMOKU STREET | HONOLULU | HI | 96814 |
| 1510 | 9807AQ0134 | 790 EHA STREET | WAILUKU | HI | 96793 |
| 1542 | 9807AQ0404 | 1125 WEST WILLOW ROAD | ENID | OK | 73703 |
| 1542 | 9807AQ0405 | 1125 WEST WILLOW ROAD | ENID | OK | 73703 |
| 1542 | 9807AQ0169 | 620 S. MAIN STREET | EUFULA | OK | 74432 |
| 1542 | 9807AQ0491 | 620 S. MAIN STREET | EUFULA | OK | 74432 |
| 1542 | 9807AQ0578 | 3722 NW 39TH ST | OKLAHOMA CITY | OK | 73112 |
| 1542 | 9807AQ0580 | 3722 NW 39TH ST | OKLAHOMA CITY | OK | 73112 |
| 1542 | 9807AQ0216 | 7800 SOUTH SOONER | OKLAHOMA CITY | OK | 73165 |
| 1542 | 9807AQ0217 | 7800 SOUTH SOONER | OKLAHOMA CITY | OK | 73165 |
| 1542 | 9807AQ867 | 7800 SOUTH SOONER | OKLAHOMA CITY | OK | 73165 |
| 1542 | 9807AQ887 | 7800 SOUTH SOONER | OKLAHOMA CITY | OK | 73165 |
| 1542 | 9807AQ0064 | 126 WEST RAY FINE BOULEVARD | ROLAND | OK | 74954 |
| 1542 | 9807AQ0087 | 126 WEST RAY FINE BOULEVARD | ROLAND | OK | 74954 |
| 1542 | 9808AQ0152 | 1006 KERR STREET | SALLISAW | OK | 74955 |
| 1542 | 9807AQ0034 | 801 ADA WEBB DRIVE | STROUD | OK | 74079 |
| 1542 | 9807AQ0037 | 801 ADA WEBB DRIVE | STROUD | OK | 74079 |
| 1542 | 9807AQ0157 | 71ST & MINGO | TULSA | OK | 74133 |
| 1542 | 9807AQ0181 | 71ST & MINGO | TULSA | OK | 74133 |
| 1542 | 9807AQ0846 | HIGHWAY 66 EAST | VINITA | OK | 74301 |
| 1542 | 9807AQ0856 | HIGHWAY 66 EAST | VINITA | OK | 74301 |
| 1729 | 9808AQ0072 | 503 N. 1 ST ST. | CARRIZO SPRINGS | TX | 78834 |
| 1729 | 9808AQ0350 | 13785 CYPRESS N. HOUSTON | CYPRESS | TX | 77429 |
| 1729 | 9808AQ0354 | 13785 CYPRESS N. HOUSTON | CYPRESS | TX | 77429 |
| 1729 | 9808AQ0504 | 6950 WOODRIDGE | HOUSTON | TX | 77087 |
| 1729 | 9808AQ0342 | 11 1-A WEST RANKIN RD. | HOUSTON | TX | 77067 |
| 1729 | 9808AQ0345 | 111 -A WEST RANKIN RD. | HOUSTON | TX | 77067 |
| 1729 | 9808AQ0350 | 6950 WOODRIDGE | HOUSTON | TX | 77087 |
| 1729 | 9808AQ0505 | 3110 FM 1960 WEST | HUMBLE | TX | 77338 |
| 1729 | 9808AQ0508 | 3110 FM 1960 WEST | HUMBLE | TX | 77338 |
| 1729 | 9807AQ0554 | 116 E. FRONTAGE EXPWY. 83 | LA FERIA | TX | 78559 |
| 1729 | 9807AQ0557 | 116 E. FRONTAGE EXPWY. 83 | LA FERIA | TX | 78559 |
| 1729 | 9808AQ1028 | 503 N. 1ST ST. | CARRIZO SPRINGS | TX | 78834 |
| 1729 | 9808AQ1028 | 503 N. 1ST ST. | CARRIZO SPRINGS | TX | 78834 |
| 1974 | 9808AQ0017 | 3035 TOLTEC RD | ELOY | AZ | 85231 |
| 1974 | 9808AQ0026 | 3035 TOLTEC RD | ELOY | AZ | 85231 |
| 1974 | 9807QA0693 | 7515 WEST BELL RD | PEORIA | AZ | 85382 |
| 1974 | 9807AQ0696 | 7515 WEST BELL RD | PEORIA | AZ | 85382 |
| 1974 | 9808AQ0269 | 7TH AVENUE & UNION HILLS | PHOENIX | AZ | 85027 |
| 1974 | 9808AQ0823 | 7TH AVENUE & UNION HILLS | PHOENIX | AZ | 85027 |
| 1974 | 9808AQ0823 | 7TH AVENUE & UNION HILLS | PHOENIX | AZ | 85027 |
| 2671 | 9807AQ0060 | 8400 ROSEDALE HIGHWAY | BAKERSFIELD | CA | 93312 |
| 2671 | 9807AQ0121 | 2505 E. IMPERIAL HIGHWAY | BREA | CA | 92823 |
| 2671 | 9807AQ0135 | 2505 E. IMPERIAL HIGHWAY | BREA | CA | 92823 |
| 2671 | 9807AQ0184 | PUENTE HILLS MALL | CITY OF INDUSTR | CA | 91748 |
| 2671 | 9808AQ0606 | 7164 BROADWAY | LEMON GROVE | CA | 91945 |
| 2671 | 9808AQ0608 | 7164 BROADWAY | LEMON GROVE | CA | 91945 |
| 2671 | 9807AQ0920 | 3817 CANNON RD. | OCEANSIDE | CA | 92065 |
| 2671 | 9807AQ0211 | 1515 E. EUCLID AVENUE | SAN DIEGO | CA | 92105 |

| FASC | S/N | STREET ADDRESS | CITY | STATE | ZIP |
|-------------|------------|--------------------------------------|--------------|--------------|------------|
| 2671 | 9807AQ0212 | 1515 E. EUCLID AVENUE | SAN DIEGO | CA | 92105 |
| 2671 | 9807AQ0919 | 3001 CLAIREMONT DRIVE | SAN DIEGO | CA | 92110 |
| 2671 | 9807AQ0922 | 3001 CLAIREMONT DRIVE | SAN DIEGO | CA | 92110 |
| 2671 | 9807AQ0046 | 4370 LA JOLLA VILLAGE DRIVE, STE 800 | SAN DIEGO | CA | 92122 |
| 2671 | 9806AQ0183 | 120 S. RANCHO SANTA FE | SAN MARCOS | CA | 92069 |
| 2671 | 9807AQ0143 | 8876 CUYAMACA STREET | SANTEE | CA | 92071 |
| 2671 | 9807AQ0144 | 8876 CUYAMACA STREET | SANTEE | CA | 92071 |
| 2671 | 9807AQ0619 | 2452 BRIAN AVE. | TUSTIN | CA | 92680 |
| 2671 | 9807AQ0620 | 2452 BRIAN AVE. | TUSTIN | CA | 92680 |
| 2671 | 9807AQ0244 | 6020 W. TROPICANA | LAS VAGAS | NV | 89103 |
| 2671 | 9807AQ0245 | 5947 SPRING MOUTAIN RD | LAS VAGAS | NV | 89103 |
| 2671 | 9807AQ0290 | 6020 W. TROPICANA | LAS VAGAS | NV | 89103 |
| 2671 | 9807AQ0291 | 5947 SPRING MOUTAIN RD | LAS VAGAS | NV | 89102 |
| 2671 | 9807AQ0309 | 3700 PARADISE RD | LAS VAGAS | NV | 89109 |
| 2671 | 9807AQ0310 | 3700 PARADISE RD | LAS VAGAS | NV | 89109 |
| 2712 | 9807AQ0689 | J.P.K. ENTERPRISES | CHICAGO | IL | 60614 |
| 2712 | 9807AQ0691 | J.P.K. ENTERPRISES | CHICAGO | IL | 60614 |
| 2712 | 9807AQ0695 | 892 WEST 75TH STREET | NAPERVILLE | IL | 60540 |
| 2712 | 9807AQ0700 | 892 WEST 75TH STREET | NAPERVILLE | IL | 60540 |
| 2712 | 9806AQ0129 | 800 COMMERCE DR. DEPT. 212 | OAK BROOK | IL | 60523 |
| 2712 | 9806AQ0188 | 800 COMMERCE DR. DEPT. 212 | OAK BROOK | IL | 60523 |
| 2712 | 9806AQ0190 | 800 COMMERCE DR. DEPT. 212 | OAK BROOK | IL | 60523 |
| 2712 | 9806AQ0193 | 800 COMMERCE DR. DEPT. 212 | OAK BROOK | IL | 60523 |
| 2712 | 9806AQ0196 | 800 COMMERCE DR. DEPT. 212 | OAK BROOK | IL | 60523 |
| 2712 | 9806AQ0234 | 800 COMMERCE DR. DEPT. 212 | OAK BROOK | IL | 60523 |
| 2712 | 9806AQ0235 | 800 COMMERCE DR. DEPT. 212 | OAK BROOK | IL | 60523 |
| 2712 | 9806AQ0236 | 800 COMMERCE DR. DEPT. 212 | OAK BROOK | IL | 60523 |
| 2712 | 9806AQ0249 | 800 COMMERCE DR. DEPT. 212 | OAK BROOK | IL | 60523 |
| 2712 | 9806AQ0250 | 800 COMMERCE DR. DEPT. 212 | OAK BROOK | IL | 60523 |
| 2712 | 9806AQ0251 | 800 COMMERCE DR. DEPT. 212 | OAK BROOK | IL | 60523 |
| 2712 | 9806AQ0253 | 800 COMMERCE DR. DEPT. 212 | OAK BROOK | IL | 60523 |
| 2712 | 9807AQ0005 | 800 COMMERCE DR. DEPT. 212 | OAK BROOK | IL | 60523 |
| 2712 | 9807AQ0006 | 800 COMMERCE DR. DEPT. 212 | OAK BROOK | IL | 60523 |
| 2712 | 9807AQ0008 | 800 COMMERCE DR. DEPT. 212 | OAK BROOK | IL | 60523 |
| 2712 | 9807AQ0009 | 800 COMMERCE DR. DEPT. 212 | OAK BROOK | IL | 60523 |
| 2712 | 9807AQ0630 | 800 COMMERCE DR. DEPT. 212 | OAK BROOK | IL | 60523 |
| 2712 | 9807AQ0631 | 800 COMMERCE DR. DEPT. 212 | OAK BROOK | IL | 60523 |
| 2712 | 9807AQ0737 | 800 COMMERCE DR. DEPT. 212 | OAK BROOK | IL | 60523 |
| 2712 | 9807AQ0741 | 800 COMMERCE DR. DEPT. 212 | OAK BROOK | IL | 60523 |
| 2712 | 9807AQ0824 | 800 COMMERCE DR. DEPT. 212 | OAK BROOK | IL | 60523 |
| 2712 | 9807AQ0829 | 800 COMMERCE DR. DEPT. 212 | OAK BROOK | IL | 60523 |
| 2712 | 9807AQ0831 | 800 COMMERCE DR. DEPT. 212 | OAK BROOK | IL | 60523 |
| 2712 | 9807AQ0849 | 800 COMMERCE DR. DEPT. 212 | OAK BROOK | IL | 60523 |
| 2712 | 9807AQ0851 | 800 COMMERCE DR. DEPT. 212 | OAK BROOK | IL | 60523 |
| 2712 | 9807AQ0860 | 800 COMMERCE DR. DEPT. 212 | OAK BROOK | IL | 60523 |
| 2712 | 9807AQ0861 | 800 COMMERCE DR. DEPT. 212 | OAK BROOK | IL | 60523 |
| 2712 | 9807AQ0916 | 800 COMMERCE DR. DEPT. 212 | OAK BROOK | IL | 60523 |
| 2712 | 9807AQ0918 | 800 COMMERCE DR. DEPT. 212 | OAK BROOK | IL | 60523 |
| 2712 | 9807AQ0918 | 800 COMMERCE DR. DEPT. 212 | OAK BROOK | IL | 60523 |
| 2712 | 9808AQ1282 | 800 COMMERCE DR DEPT 212 | OAK BROOK | IL | 60523 |
| 2712 | 9808AQ1295 | 800 COMMERCE DR DEPT 212 | OAK BROOK | IL | 60523 |
| 2712 | 9808AQ1297 | 800 COMMERCE DR DEPT 212 | OAK BROOK | IL | 60523 |
| 2712 | 9808AQ1305 | 800 COMMERCE DR DEPT 212 | OAK BROOK | IL | 60523 |
| 2712 | 9808AQ1547 | 800 COMMERCE DR DEPT 212 | OAK BROOK | IL | 60523 |
| 2712 | 9808AQ1580 | 800 COMMERCE DR DEPT 212 | OAK BROOK | IL | 60523 |
| 2712 | 9808AQ1581 | 800 COMMERCE DR DEPT 212 | OAK BROOK | IL | 60523 |
| 2712 | 9808AQ1583 | 800 COMMERCE DR DEPT 212 | OAK BROOK | IL | 60523 |
| 2977 | 9807AQ0909 | 2034 LINCOLN HWY EAST | E.LAMPETER | PA | 17602 |
| 2977 | 9806AQ0212 | 180 MARKET STREET | NESQUEHONING | PA | 18240 |
| 2977 | 9806AQ0313 | 180 MARKET STREET | NESQUEHONING | PA | 18240 |
| 2977 | 9807AQ0839 | BRADFORD TOWNE CENTRE | TOWANDA | PA | 18848 |

| FASC | S/N | STREET ADDRESS | CITY | STATE | ZIP |
|-------------|------------|-------------------------------|--------------|--------------|------------|
| 2977 | 9807AQ0841 | BRADFORD TOWNE CENTRE | TOWANDA | PA | 18848 |
| 7476 | 9808AQ0039 | 3147 SOUTH '14TH STREET | ABILENE | TX | 79603 |
| 7476 | 9808AQ0039 | 3147 SOUTH 14TH STREET | ABILENE | TX | 79603 |
| 7476 | 9807AQ0645 | 860 EAST 1-20 | ARLINGTON | TX | 76018 |
| 7476 | 9807AQ0650 | 860 EAST 1-20 | ARLINGTON | TX | 76018 |
| 7476 | 9808AQ0489 | PO BOX 26677 | BENBROOK | TX | 75126 |
| 7476 | 9808AQ0369 | P.O. BOX 26677 | BENBROOK | TX | 75126 |
| 7476 | 9807AQ0311 | 5403 ROSS AVE | DALLAS | TX | 75208 |
| 7476 | 9807AQ0314 | 5403 ROSS AVE | DALLAS | TX | 75206 |
| 7476 | 9807AQ0391 | 650 NORTH INDUSTRIAL BLVD. | DALLAS | TX | 75207 |
| 7476 | 9807AQ0391 | 650 NORTH INDUSTRIAL BLVD. | DALLAS | TX | 75207 |
| 7476 | 9807AQ0308 | 1598 GEORGE DIETER | EL PASO | TX | 79936 |
| 7476 | 9807AQ0319 | 1598 GEORGE DIETER | ELPASO | TX | 79936 |
| 7476 | 9807AQ0692 | 5620 MONTANA | ELPASO | TX | 79925 |
| 7476 | 9807AQ0694 | 5620 MONTANA | ELPASO | TX | 79925 |
| 7476 | 9807AQ0180 | 1112 WEST 1ST STREET | HEREFORD | TX | 79045 |
| 7476 | 9807AQ0185 | 1112 WEST 1ST STREET | HEREFORD | TX | 79045 |
| 7476 | 9808AQ0243 | 302 WEST IRVING BLVD. | IRVING | TX | 75060 |
| 7476 | 9808AQ0375 | 302 WEST IRVING BLVD. | IRVING | TX | 75060 |
| 7476 | 9807AQ0317 | 4202 WEST AIRPORT FREEWAY | IRVING | TX | 75062 |
| 7476 | 9807AQ0320 | 4202 WEST AIRPORT FREEWAY | IRVING | TX | 75062 |
| 7476 | 9807AQ0353 | 302 WEST IRVING BLVD. | IRVING | TX | 75060 |
| 7476 | 9807AQ0356 | 302 WEST IRVING BLVD. | IRVING | TX | 75060 |
| 7476 | 9807AQ0364 | 906 NORTH HWY 259 | KILGORE | TX | 75662 |
| 7476 | 9807AQ0366 | 906 NORTH HWY 259 | KILGORE | TX | 75662 |
| 7476 | 9807AQ0624 | 1301 W. AMERICAN BLVD. | MULESHOE | TX | 79347 |
| 7476 | 9807AQ0626 | 1301 W. AMERICAN BLVD. | MULESHOE | TX | 79347 |
| 7476 | 9808AQ1548 | 2111 AVENUE F NW | CHILDRESS | TX | 79201 |
| 7476 | 9808AQ1551 | 2111 AVENUE F NW | CHILDRESS | TX | 79201 |
| 7476 | 9807AQ0775 | 7392 ALAMEDA | ELPASO | TX | 79915 |
| 7476 | 9807AQ0785 | 7392 ALAMEDA | ELPASO | TX | 79915 |
| 8941 | 9807AQ0804 | HWY 5 & HWY 14 | AVA | MO | 65608 |
| 8941 | 9807AQ0804 | HWY 5 & HWY 14 | AVA | MO | 65608 |
| 8941 | 9807AQ0294 | 16802 GUDGELL | INDEPENDENCE | MO | 64055 |
| 8941 | 9807AQ0296 | 16802 GUDGELL | INDEPENDENCE | MO | 64055 |
| 8941 | 9807AQ0777 | 7887 STATE LINE ROAD | KANSAS CITY | MO | 64114 |
| 8941 | 9807AQ0783 | 7887 STATE LINE ROAD | KANSAS CITY | MO | 64114 |
| 9029 | 9808AQ1021 | 916 EAST ATLANTIC | SOUTH HILL | VA | 23970 |
| 9029 | 9808AQ1023 | 916 EAST ATLANTIC | SOUTH HILL | VA | 23970 |
| 9029 | 9808AQ1018 | 5761 E VIRGINIA BEACH BLVD | NORFOLK | VA | 23502 |
| 9029 | 9808AQ1022 | 5761 E VIRGINIA BEACH BLVD | NORFOLK | VA | 23502 |
| 9029 | 9808AQ1023 | 916 E ATLANTIC ST | SOUTH HILL | VA | 23970 |
| 9029 | 9808AQ1536 | APPERSON & KEAGY RD | SALEM | VA | 24153 |
| 9029 | 9808AQ1537 | APPERSON & KEAGY RD | SALEM | VA | 24153 |
| 9029 | 9808AQ1588 | 30 W MERCURY BLVD | HAMPTON | VA | 23669 |
| 9285 | 9808AQ0295 | CLAIRMONT RD & 1-85 | ATLANTA | GA | 30345 |
| 9285 | 9807AQ0563 | CLAIRMONT RD & 1-85 | ATLANTA | GA | 30345 |
| 9285 | 9807AQ0371 | HWY 120&SATELLITE BLVD | DULUTH | GA | 30136 |
| 9285 | 9807AQ1055 | 417 SPALDING ROAD | MONTEZUMA | GA | 31063 |
| 9285 | 9808AQ0042 | 417 SPALDING ROAD | MONTEZUMA | GA | 31063 |
| 9285 | 9807AQ0833 | 1650 INDIAN TRAIL-LILBURN RD. | NORCROSS | GA | 30093 |
| 9285 | 9807AQ0868 | 5535 BUFORD HIGHWAY | NORCROSS | GA | 30071 |
| 9285 | 9807AQ0910 | 5535 BUFORD HIGHWAY | NORCROSS | GA | 30071 |
| 9285 | 9807AQ0989 | 1650 INDIAN TRAIL-LILBURN RD. | NORCROSS | GA | 30093 |
| 9285 | 9808AQ0488 | 4605 JONESBORO RD | UNION CITY | GA | 30291 |
| 9285 | 9808AQ0510 | 4605 JONESBORO RD | UNION CITY | GA | 30291 |
| 9285 | 9807AQ0333 | 2063 EXPERIMENT STATION ROAD | WATKINSVILLE | GA | 30677 |
| 9285 | 9807AQ0343 | 2063 EXPERIMENT STATION ROAD | WATKINSVILLE | GA | 30677 |
| 9287 | 9808AQ1544 | 741 BEAR SWAMP RD | PERU | NY | 12972 |
| 9287 | 9807AQ0403 | 195 WOODSTOCK AVENUE | RUTLUND | VT | 05701 |
| 9287 | 9807AQ0446 | 195 WOODSTOCK AVENUE | RUTLUND | VT | 05701 |

| FASC | S/N | STREET ADDRESS | CITY | STATE | ZIP |
|-------------|------------|-------------------------|------------------|--------------|------------|
| 9287 | 9808AQ1542 | ROUTE 7, SHELBURNE ROAD | SOUTH BURLINGTON | VT | 05403 |
| 9287 | 9808AQ1543 | ROUTE 7, SHELBURNE ROAD | SOUTH BURLINGTON | VT | 05403 |
| 9610 | 9807AQ0807 | 1373 W. TUNNEL BLVD. | HOUMA | LA | 70360 |
| 9610 | 9807AQ0805 | 1373 W. TUNNEL BLVD. | HOUMA | LA | 70360 |
| 50189 | 9807AQ0923 | US ROUTE 6N | ALBION | PA | 16401 |
| 50189 | 9807AQ0924 | US ROUTE 6N | ALBION | PA | 16401 |
| 50189 | 9807AQ884 | 5261 LIBRARY ROAD | BETHEL | PA | 15102 |
| 50189 | 9807AQ885 | 5261 LIBRARY ROAD | BETHEL | PA | 15102 |
| 50189 | 9807AQ0635 | 207 N. 220 | DUNCANSVILLE | PA | 16635 |
| 50189 | 9807AQ0637 | 207 N. 220 | DUNCANSVILLE | PA | 16635 |
| 50189 | 9807AQ0832 | 4319 PEACH STREET | ERIE | PA | 16509 |
| 50189 | 9807AQ0858 | 4319 PEACH STREET | ERIE | PA | 16509 |
| 50189 | 9807AQ0837 | 2550 ROUTE 286 | INDIANA | PA | 15701 |
| 50189 | 9807AQ0877 | 2550 ROUTE 286 | INDIANA | PA | 15701 |
| 50189 | 9807AQ0474 | HAYNES & NAPOLEON | JOHNSTOWN | PA | 15907 |
| 50189 | 9807AQ0570 | HAYNES & NAPOLEON | JOHNSTOWN | PA | 15907 |
| 50189 | 9806AQ0300 | 300 MARKET PLACE DRIVE | OAKDALE | PA | 15071 |
| 50189 | 9806AQ0304 | 300 MARKET PLACE DRIVE | OAKDALE | PA | 15071 |
| 50189 | 9807AQ0835 | 801 ALLEGHENY AVE | PITTSBURGH | PA | 15233 |
| 50189 | 9807AQ0863 | 801 ALLEGHENY AVE | PITTSBURGH | PA | 15233 |
| 50189 | 9806AQ0203 | ROUTE 601 NORTH | SOMERSET | PA | 15501 |
| 50189 | 9806AQ0205 | ROUTE 601 NORTH | SOMERSET | PA | 15501 |
| 50189 | 9807AQ0739 | 61 NORTH MAIN STREET | UNION CITY | PA | 16438 |
| 50189 | 9807AQ0742 | 61 NORTH MAIN STREET | UNION CITY | PA | 16438 |
| 50189 | 9807AQ1195 | MORGANTOWN ROAD | UNIONTOWN | PA | 15401 |
| 50189 | 9807AQ1195 | MORGANTOWN ROAD | UNIONTOWN | PA | 15401 |
| 50189 | 9807AQ1202 | MORGANTOWN ROAD | UNIONTOWN | PA | 15401 |
| 50189 | 9807AQ1202 | MORGANTOWN ROAD | UNIONTOWN | PA | 15401 |
| 50189 | 9807AQ0878 | 5 SUGAR RUN ROAD | WAYNESBURG | PA | 15370 |
| 50189 | 9807AQ0883 | 5 SUGAR RUN ROAD | WAYNESBURG | PA | 15370 |
| 50189 | 9807AQ1192 | 5 SUGAR RUN ROAD | WAYNESBURG | PA | 15370 |
| 50189 | 9807AQ1198 | 5 SUGAR RUN ROAD | WAYNESBURG | PA | 15370 |
| 50189 | 9808AQ1134 | 4317 NORTHERN PIKE | MONROEVILLE | PA | 15146 |
| 50189 | 9808AQ1582 | 90 WILLIAM PENN HIGHWAY | CRESSON | PA | 16630 |
| 50190 | 9807AQ0432 | 1000 DIVISION ST. | PARKERSBURG | WV | 26101 |
| 50190 | 9807AQ0433 | 1000 DIVISION ST. | PARKERSBURG | WV | 26101 |
| 50366 | 9807AQ0348 | 4311 CLEARWATER | SAINT CLOUD | MN | 56301 |
| 50384 | 9807AQ0636 | ROUTE 302 | NORTH WINDHAM | ME | 04062 |
| 50384 | 9807AQ0638 | ROUTE 302 | NORTH WINDHAM | ME | 04062 |
| 50387 | 9807AQ0995 | 22225 NORTH MAIN | JACKSON | WI | 50387 |
| 50387 | 9807AQ0293 | 5625 HWY 10 EAST | STEVENS POINT | WI | 54481 |
| 50387 | 9807AQ0295 | 5625 HWY 10 EAST | STEVENS POINT | WI | 54481 |
| 50387 | 9807AQ0983 | 22225 NORTH MAIN | JACKSON | WI | 53037 |
| 50388 | 9807AQ0242 | 7997 SOUTHTOWN CENTER | BLOOMINGTON | MN | 55431 |
| 50388 | 9807AQ0244 | 7997 SOUTHTOWN CENTER | BLOOMINGTON | MN | 55431 |
| 50388 | 9808AQ0319 | 4311 CLEARWATER | SAINT CLOUD | MN | 56301 |
| 50388 | 9807AQ0352 | 4311 CLEARWATER | SAINT CLOUD | MN | 56301 |
| 50388 | 9807AQ0298 | 43 GLUMACK DR | SAINT PAUL | MN | 55111 |
| 50388 | 9807AQ0300 | 43 GLUMACK DR | SAINT PAUL | MN | 55111 |
| 50388 | 9808AQ0480 | 210 2ND STREET SOUTH | WAITE PARK | MN | 56387 |
| 50388 | 9808AQ0377 | 210 2ND STREET SOUTH | WAITE PARK | MN | 56387 |