

826-2693, 120/208V/240V/24V Transformer Kit

This kit relocates the existing 12-volt transformer and positions a new 24 transformer above it in split-pot control boxes. The existing transformers are shown at right. (See figure 1.) Follow the directions below to install the kit.

1. Unplug the fryer from all line voltage. Turning off the master power switch under the computer does not kill power to the transformers.
2. Remove the bezel and unplug and remove the computer on split-pot vats.
3. Remove the access plate below the computer. (See figure 2.)
4. Cut wire ties from the wiring harnesses connecting the transformers to the interface board plug.
5. Remove the 24-volt transformer; leave the piggy backs in place on the wiring.
6. Remove and reposition the 12-volt transformer. Leave the wires in place. Position it in the mounting holes used by the 24-volt transformer. (See figure 3.)
7. Position the new 24-volt transformer (see figure 4.). Use the provided drill-point screws to secure it in the control box.
8. The 12-volt transformer is wired as it was previously.
9. Wire the 24 volt transformer as shown in figures 5 and 6. Connect to the appropriate line voltage with a Wego connector.
10. Coil and wire tie the excess wiring. Do not block access to the interface board. Replace access panel. Ensure wires are not pinched.
11. Replace the computer and ensure all ground wires are replaced. (See figure 7.)
12. Reposition fryer near hood and test.
13. Replace bezel and reposition fryer in hood.



Figure 1:



Figure 2: Remove access panel under computer.

Wiring Diagram on Back



Figure 3: Reposition the 12-volt transformer in the spot occupied by the removed 24-volt unit. Shown with wires removed for clarity.



Figure 4: Position the 24-volt transformer as shown. A wiring diagram and an annotated wiring guide are provided on the back.

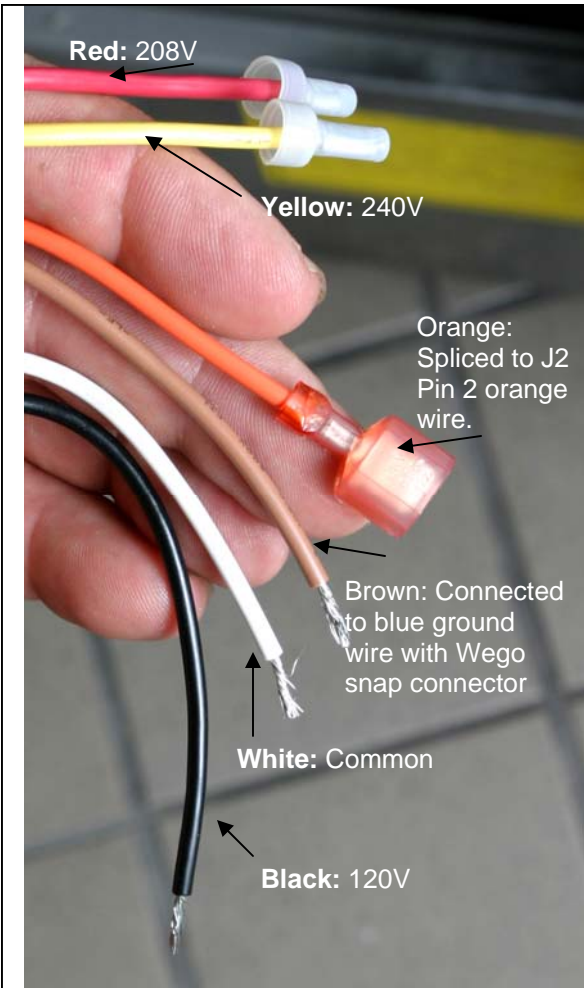


Figure 5: 24-Volt Transformer Wiring

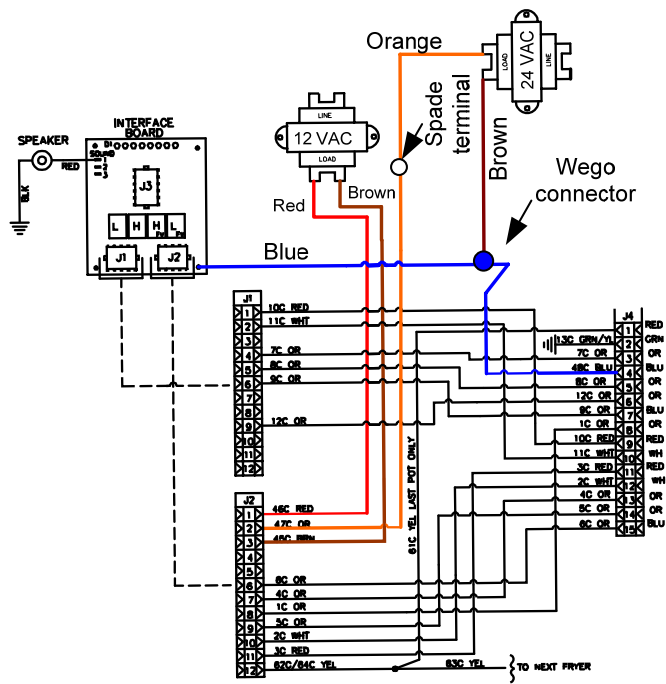


Figure 6: Wiring diagram

- Completion Checklist:**
- All wires connected.
 - No wires pinched by access panel.
 - All connections are plugged, locked into computer.
 - Test unit under power; ensure it reaches setpoint.



Figure 7: The computer is shown with its grounds reconnected. The data-cable grounds on the left must be in place.